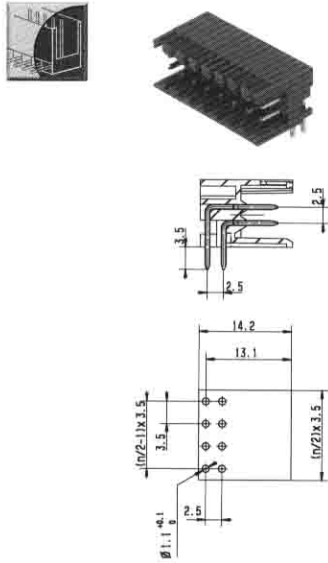


Minimate Range- S2L/B2L 3.5



Pin headers S2L 3.5/90



Technical data	VDE	UL	CSA
Rated voltage (V)	100*	150	50
Rated current (A)	7.5 1)	10	5

*Pollution severity 3 / Overvoltage category III
Additional technical data see page 210

Solder pin length
tin-plated contacts

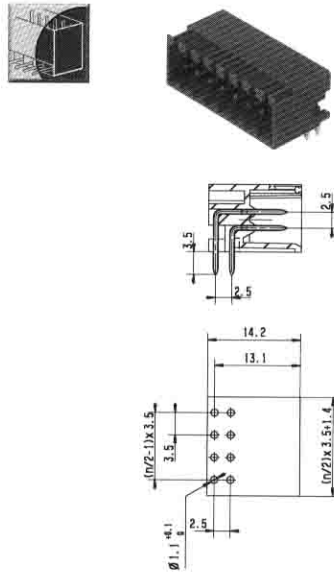
3.5 mm 3.5 mm

Color		Part No.	Part No.	Qty.
6	S2L 3.5/6/90	1728150000	1728310000	50
8	S2L 3.5/8/90	1728160000	1728320000	50
10	S2L 3.5/10/90	1728170000	1728330000	50
12	S2L 3.5/12/90	1728180000	1728340000	50
14	S2L 3.5/14/90	1728190000	1728350000	50
16	S2L 3.5/16/90	1728200000	1728360000	50
18	S2L 3.5/18/90	1728210000	1728370000	20
20	S2L 3.5/20/90	1728220000	1728380000	20
22	S2L 3.5/22/90	1728230000	1728390000	20
24	S2L 3.5/24/90	1728240000	1728400000	20
26	S2L 3.5/26/90	1728250000	1728410000	20
28	S2L 3.5/28/90	1728260000	1728420000	20
30	S2L 3.5/30/90	1728270000	1728430000	20
32	S2L 3.5/32/90	1728280000	1728440000	20
34	S2L 3.5/34/90	1728290000	1728450000	20
36	S2L 3.5/36/90	1728300000	1728460000	20

1) 36 poles = max. 6.8 A

Accessories	Page
Mounting	-
Marking	190
Coding	193
Miscellaneous	198

Pin headers S2L 3.5/90G



Technical data	VDE	UL	CSA
Rated voltage (V)	100*	150	50
Rated current (A)	7.5 1)	10	5

*Pollution severity 3 / Overvoltage category III
Additional technical data see page 210

Solder pin length
tin-plated contacts

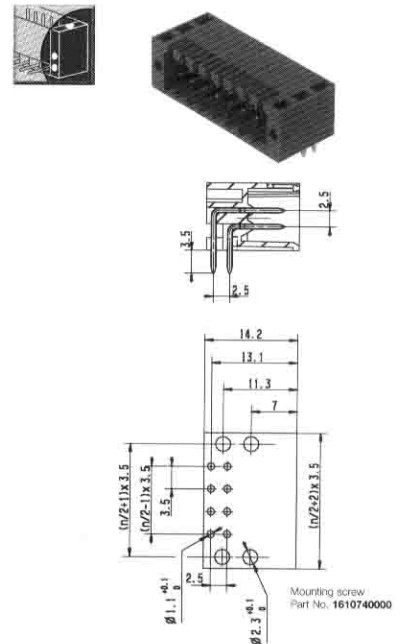
3.5 mm 3.5 mm

Color		Part No.	Part No.	Qty.
6	S2L 3.5/6/90G	1727830000	1727990000	50
8	S2L 3.5/8/90G	1727840000	1728000000	50
10	S2L 3.5/10/90G	1727850000	1728010000	50
12	S2L 3.5/12/90G	1727860000	1728020000	50
14	S2L 3.5/14/90G	1727870000	1728030000	50
16	S2L 3.5/16/90G	1727880000	1728040000	50
18	S2L 3.5/18/90G	1727890000	1728050000	20
20	S2L 3.5/20/90G	1727900000	1728060000	20
22	S2L 3.5/22/90G	1727910000	1728070000	20
24	S2L 3.5/24/90G	1727920000	1728080000	20
26	S2L 3.5/26/90G	1727930000	1728090000	20
28	S2L 3.5/28/90G	1727940000	1728100000	20
30	S2L 3.5/30/90G	1727950000	1728110000	20
32	S2L 3.5/32/90G	1727960000	1728120000	20
34	S2L 3.5/34/90G	1727970000	1728130000	20
36	S2L 3.5/36/90G	1727980000	1728140000	20

1) 36 poles = max. 6.8 A

Accessories	Page
Mounting	-
Marking	190
Coding	193
Miscellaneous	198

Pin headers S2L 3.5/90F



Technical data	VDE	UL	CSA
Rated voltage (V)	100*	150	50
Rated current (A)	7.5 1)	10	5

*Pollution severity 3 / Overvoltage category III
Additional technical data see page 210

Solder pin length
tin-plated contacts

3.5 mm 3.5 mm

Color		Part No.	Part No.	Qty.
6	S2L 3.5/6/90F	1728470000	1728630000	50
8	S2L 3.5/8/90F	1728480000	1728640000	50
10	S2L 3.5/10/90F	1728490000	1728650000	50
12	S2L 3.5/12/90F	1728500000	1728660000	50
14	S2L 3.5/14/90F	1728510000	1728670000	50
16	S2L 3.5/16/90F	1728520000	1728680000	50
18	S2L 3.5/18/90F	1728530000	1728690000	20
20	S2L 3.5/20/90F	1728540000	1728700000	20
22	S2L 3.5/22/90F	1728550000	1728710000	20
24	S2L 3.5/24/90F	1728560000	1728720000	20
26	S2L 3.5/26/90F	1728570000	1728730000	20
28	S2L 3.5/28/90F	1728580000	1728740000	20
30	S2L 3.5/30/90F	1728590000	1728750000	20
32	S2L 3.5/32/90F	1728600000	1728760000	20
34	S2L 3.5/34/90F	1728610000	1728770000	20
36	S2L 3.5/36/90F	1728620000	1728780000	20

1) 36 poles = max. 6.8 A

Accessories	Page
Mounting	188
Marking	190
Coding	193
Miscellaneous	198