

TTI, Inc.  
Einkauf Elektrotechnik  
Ganghoferstraße 34  
82216 Maisach-Gernlinden

Weidmüller GmbH & Co. KG  
Ohmstraße 9  
D-32758 Detmold  
T +49 (0) 52 31 14 28-0  
F +49 (0) 52 31 14 28-1 16  
weidmueller@weidmueller.de

Anita Breuer  
T +49 (0) 52 31 14 28-285  
F +49 (0) 52 31 14 28-116  
Anita.Breuer@weidmueller.de

By email to: [PCN@TTIINC.COM](mailto:PCN@TTIINC.COM) / [Jinglei.Ritzerfeld-Liu@de.TTIInc.com](mailto:Jinglei.Ritzerfeld-Liu@de.TTIInc.com)

Detmold, 04.06.2018

Seite 1 von 1

Kd.-Nr. 0000059292

### Technical Modification

Dear Sir or Madam,

as an innovative company, we continuously strive to achieve improvements and search for ways to further develop our products for you.  
With new, tailored products and solutions, integrated into a wide range of applications, we seek to create optimum added value for your processes, now and in the future.

Today we are pleased to send you a current Technical Notice, containing all the important information regarding further product development.

For Weidmüller creating connections doesn't just mean finding new product solutions. It also means establishing personal relationships.  
We would be happy to discuss the developments with you directly. Just give us a call.

Our Sales Engineer Herr Berndt van Nüss, Rufnummer +49 172 5201366 will be delighted to give you all the information you need.

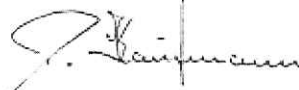
Let's connect.

Kind regards,

Weidmüller GmbH & Co. KG

i.V. 

Matthias Schwarzkopf  
Head of Customer Service

i.A. 

Dirk Kaufmann  
Head of Support Management

Appendix

Kommanditgesellschaft

Sitz: Detmold  
Registergericht Lemgo HRA 4183  
USt-ID-Nr. DE124599901  
WEEE-Reg.-Nr. DE73937473

Komplementärin:  
Weidmüller Führungs GmbH  
Sitz: Detmold  
Registergericht Lemgo HRB 5717  
Geschäftsführer:  
José Carlos Álvarez Tobar  
Dr. Timo Berger

Bankverbindungen:

Commerzbank AG  
Kto.-Nr. 283 288 400 (BLZ 480 800 20)

Deutsche Bank  
Kto.-Nr. 4 374 922 (BLZ 476 700 23)

Postgiro Hannover  
Kto.-Nr. 88944-301 (BLZ 250 100 30)

## Technical Change to Push Buttons

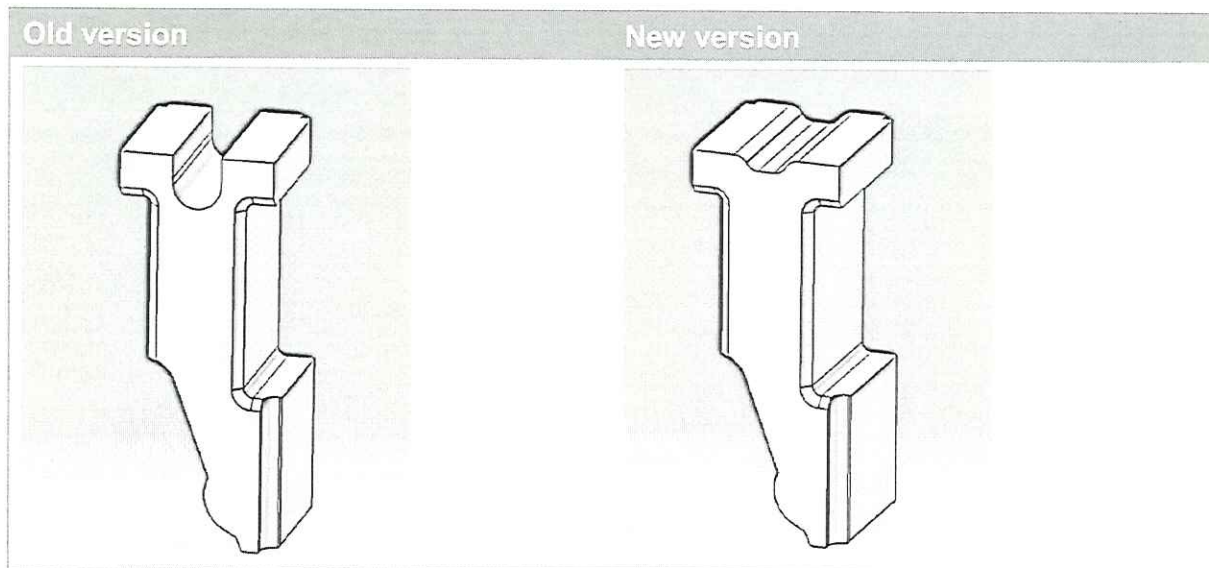
The below listed articles will be supplied in a modified revision. All modifications are performed for reasons of product improvements

### Initial situation

As part of our on-going product maintenance and improvement, we are going to change the push buttons of the product families listed below.

### Technical change

The new push buttons become much flatter, which prevents jamming of the screwdriver.



### Affected product families:

- BLF 5.0x
- SLF 5.08
- BLDF 5.08
- BHF 5.00
- BLF 7.62
- SLF 7.62
- LMF

To ensure a smooth change over, the conversion will be done step by step without changing any part numbers. There will be no stock cleaning. Thus, during the conversion period it may lead to a mixed delivery of orders, but never mixed in one packaging unit. The changeover will be done at the beginning of December 2018.

TTI, Inc.  
Einkauf Elektrotechnik  
Ganghoferstraße 34  
82216 Maisach-Gernlinden

Weidmüller GmbH & Co. KG  
Ohmstraße 9  
D-32758 Detmold  
T +49 (0) 52 31 14 28-0  
F +49 (0) 52 31 14 28-1 16  
weidmueller@weidmueller.de

Anita Breuer  
T +49 (0) 52 31 14 28-285  
F +49 (0) 52 31 14 28-116  
Anita.Breuer@weidmueller.de

Per E-Mail an: [PCN@TTIINC.COM](mailto:PCN@TTIINC.COM) / [Jinglei.Ritzerfeld-Liu@de.TTIInc.com](mailto:Jinglei.Ritzerfeld-Liu@de.TTIInc.com)

Detmold, 04.06.2018

Seite 1 von 1

Kd.-Nr. 0000059292

### Technische Modifikation

Sehr geehrte Damen und Herren,

als innovatives Unternehmen streben wir ständig nach Verbesserungen und suchen nach Wegen, unsere Produkte für Sie weiter zu entwickeln.

Mit neuen, passgenauen Produkten und Lösungen, integriert in einer Vielzahl von Applikationen, wollen wir jetzt und zukünftig die optimale Wertschöpfung für Ihre Prozesse erzielen.

Wir freuen uns, Ihnen heute eine aktuelle technische Mitteilung mit allen wichtigen Informationen zur Produktweiterentwicklung zu senden.

Verbindungen schaffen, bedeutet für Weidmüller nicht nur Produktlösungen finden, sondern auch persönliche Nähe.

Gerne besprechen wir die Neuerungen der Produkte auch direkt mit Ihnen. Rufen Sie uns doch einfach an.

Unser/e Verkaufsingenieur/in Herr Berndt van Nüss, Rufnummer +49 172 5201366 berät Sie gerne.

Let's connect.

Mit freundlichen Grüßen

Weidmüller GmbH & Co. KG

i.V. 

Matthias Schwarzkopf  
Leiter Kundenberatung / Innendienst

i.A. 

Dirk Kaufmann  
Leiter Support Management

Anlage

Kommanditgesellschaft

Sitz: Detmold  
Registergericht Lemgo HRA 4183  
UST-ID-Nr. DE124599901  
WEEE-Reg.-Nr. DE73937473

Komplementärin:  
Weidmüller Führungs GmbH  
Sitz: Detmold  
Registergericht Lemgo HRB 5717  
Geschäftsführer:  
José Carlos Álvarez Tobar  
Dr. Timo Berger

Bankverbindungen:

Commerzbank AG  
Kto.-Nr. 283 288 400 (BLZ 480 800 20)

Deutsche Bank  
Kto.-Nr. 4 374 922 (BLZ 476 700 23)

Postgiro Hannover  
Kto.-Nr. 88944-301 (BLZ 250 100 30)

## Technische Änderung der Pusher

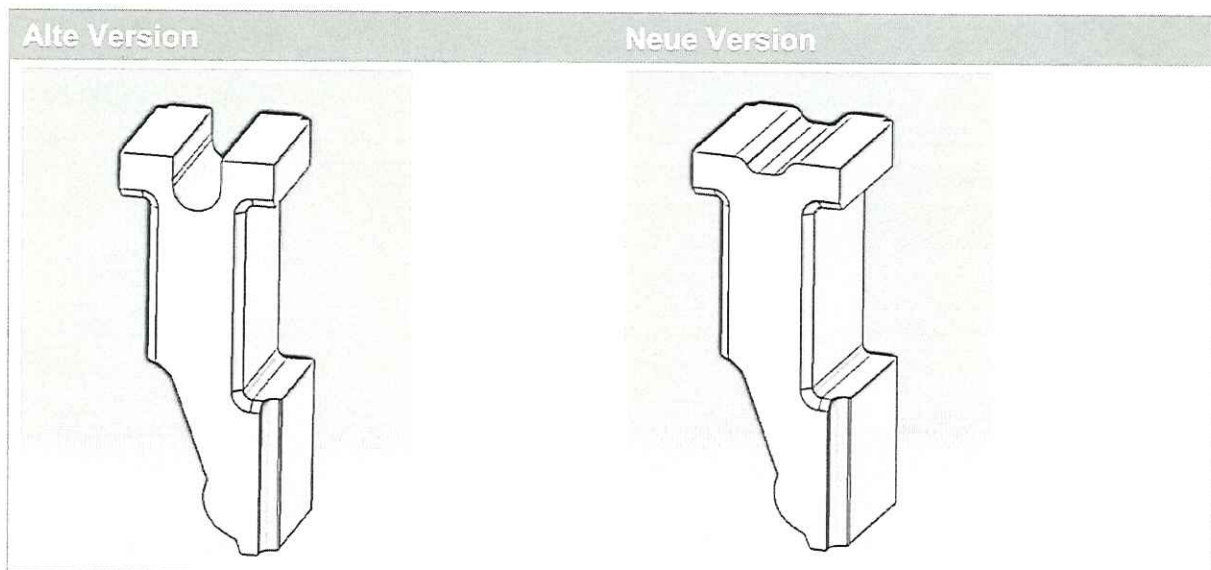
Produktänderungen dienen der kontinuierlichen Produktverbesserung. Die unten aufgeführten Artikel werden in Zukunft in einer modifizierten Version geliefert.

### Ausgangssituation

Aufgrund unserer stetigen Produktpflege und Verbesserung, werden wir die Pusher der unten aufgeführten Produktfamilien verändern.

### Technische Änderung

Die neuen Pusher werden flacher sein, was ein Verkanten des Schraubendrehers verhindert.



### Folgende Produktfamilien sind betroffen:

- BLF 5.0x
- SLF 5.08
- BLDF 5.08
- BHF 5.00
- BLF 7.62
- SLF 7.62
- LMF

Um einen reibungslosen Übergang zu gewährleisten, werden die Veränderungen Schritt für Schritt durchgeführt, ohne dass sich die Artikelnummern ändern. Es gibt keine Lagerbereinigung, weshalb es in der Umstellungsphase zu gemischten Versendungen von Bestellungen kommen kann, jedoch nicht innerhalb einer Verpackungseinheit. Die Umstellung wird Anfang Dezember 2018 abgeschlossen sein.



Order Number	Type
100030001	BLF 5.08HC/02/90 SN BK BX
1000220001	BLF 5.08HC/02/90F SN BK BX
1000410001	BLF 5.08HC/02/90LR SN BK BX
1000640001	BLF 5.08HC/02/90LH SN BK BX
1000860000	BLDF 5.08/02/180 SN BK BX
1000870000	BLDF 5.08/03/180 SN BK BX
1000880000	BLDF 5.08/04/180 SN BK BX
1000890000	BLDF 5.08/05/180 SN BK BX
1000900000	BLDF 5.08/06/180 SN BK BX
1000910000	BLDF 5.08/07/180 SN BK BX
1000920000	BLDF 5.08/08/180 SN BK BX
1000930000	BLDF 5.08/02/180F SN BK BX
1000950000	BLDF 5.08/03/180F SN BK BX
1000960000	BLDF 5.08/04/180F SN BK BX
1000970000	BLDF 5.08/05/180F SN BK BX
1000980000	BLDF 5.08/06/180F SN BK BX
1000990000	BLDF 5.08/07/180F SN BK BX
1001000000	BLDF 5.08/08/180F SN BK BX
1001010000	BLDF 5.08/02/180LR SN BK BX
1001020000	BLDF 5.08/03/180LR SN BK BX
1001030000	BLDF 5.08/04/180LR SN BK BX
1001040000	BLDF 5.08/05/180LR SN BK BX
1001050000	BLDF 5.08/06/180LR SN BK BX
1001060000	BLDF 5.08/07/180LR SN BK BX
1001070000	BLDF 5.08/08/180LR SN BK BX
1001100000	BLDF 5.08/04/180LH SN BK BX
1001120000	BLDF 5.08/06/180LH SN BK BX
1001140000	BLDF 5.08/08/180LH SN BK BX
1001150000	BLDF 5.08/02/180 SN OR BX
1001160000	BLDF 5.08/03/180 SN OR BX
1001170000	BLDF 5.08/04/180 SN OR BX
1001180000	BLDF 5.08/05/180 SN OR BX
1001190000	BLDF 5.08/06/180 SN OR BX
1001200000	BLDF 5.08/07/180 SN OR BX
1001210000	BLDF 5.08/08/180 SN OR BX
1001220000	BLDF 5.08/02/180F SN OR BX
1001530000	BLF 5.08HC/02/90 SN OR BX
1002090000	BLF 5.08HC/02/90F SN OR BX
1002280000	BLF 5.08HC/02/90LR SN OR BX
1012060000	BLDF 5.08/03/180F SN OR BX
1012640000	BLF 5.08HC/02/180F SN BK BX
1013070000	BLF 5.08HC/02/180F SN OR BX
1013430000	BLF 5.08HC/02/180 SN BK BX
1013440000	BLF 5.08HC/03/180 SN BK BX
1013680000	BLF 5.08HC/02/180 SN OR BX
1013690000	BLF 5.08HC/03/180 SN OR BX
1014120000	BLF 5.08HC/02/180LR SN BK BX

1014370000	BLF 5.08HC/02/180LR SN OR BX
1014730000	BLF 5.08HC/02/180LH SN BK BX
1015600000	BLF 5.00HC/08/180LH SN BK BX
1015680000	BLF 5.00HC/15/180LH SN BK BX
1015790000	BLF 5.00HC/08/180LH SN OR BX
1016190000	BLF 5.00HC/06/180LR SN BK BX
1016280000	BLF 5.00HC/14/180LR SN BK BX
1016340000	BLF 5.00HC/02/180LR SN OR BX
1016350000	BLF 5.00HC/03/180LR SN OR BX
1016360000	BLF 5.00HC/04/180LR SN OR BX
1016370000	BLF 5.00HC/05/180LR SN OR BX
1016380000	BLF 5.00HC/06/180LR SN OR BX
1016390000	BLF 5.00HC/07/180LR SN OR BX
1016410000	BLF 5.00HC/08/180LR SN OR BX
1016420000	BLF 5.00HC/09/180LR SN OR BX
1016430000	BLF 5.00HC/10/180LR SN OR BX
1016440000	BLF 5.00HC/11/180LR SN OR BX
1016450000	BLF 5.00HC/12/180LR SN OR BX
1016460000	BLF 5.00HC/13/180LR SN OR BX
1016470000	BLF 5.00HC/14/180LR SN OR BX
1016480000	BLF 5.00HC/15/180LR SN OR BX
1016490000	BLF 5.00HC/16/180LR SN OR BX
1016510000	BLF 5.00HC/17/180LR SN OR BX
1016520000	BLF 5.00HC/18/180LR SN OR BX
1017240000	BLF 5.00HC/02/180F SN BK BX
1017250000	BLF 5.00HC/03/180F SN BK BX
1017260000	BLF 5.00HC/04/180F SN BK BX
1017270000	BLF 5.00HC/05/180F SN BK BX
1017280000	BLF 5.00HC/06/180F SN BK BX
1017310000	BLF 5.00HC/08/180F SN BK BX
1017320000	BLF 5.00HC/09/180F SN BK BX
1017330000	BLF 5.00HC/10/180F SN BK BX
1017350000	BLF 5.00HC/12/180F SN BK BX
1017360000	BLF 5.00HC/13/180F SN BK BX
1017390000	BLF 5.00HC/16/180F SN BK BX
1017410000	BLF 5.00HC/18/180F SN BK BX
1017420000	BLF 5.00HC/02/180F SN OR BX
1017430000	BLF 5.00HC/03/180F SN OR BX
1017440000	BLF 5.00HC/04/180F SN OR BX
1017450000	BLF 5.00HC/05/180F SN OR BX
1017470000	BLF 5.00HC/06/180F SN OR BX
1017480000	BLF 5.00HC/07/180F SN OR BX
1017490000	BLF 5.00HC/08/180F SN OR BX
1017510000	BLF 5.00HC/09/180F SN OR BX
1017520000	BLF 5.00HC/10/180F SN OR BX
1017530000	BLF 5.00HC/11/180F SN OR BX
1017540000	BLF 5.00HC/12/180F SN OR BX
1017550000	BLF 5.00HC/13/180F SN OR BX

1017570000	BLF 5.00HC/14/180F SN OR BX
1017590000	BLF 5.00HC/15/180F SN OR BX
1017600000	BLF 5.00HC/16/180F SN OR BX
1017610000	BLF 5.00HC/17/180F SN OR BX
1017620000	BLF 5.00HC/18/180F SN OR BX
1017670000	BLF 5.00HC/02/180 SN BK BX
1017680000	BLF 5.00HC/03/180 SN BK BX
1017690000	BLF 5.00HC/04/180 SN BK BX
1017710000	BLF 5.00HC/05/180 SN BK BX
1017720000	BLF 5.00HC/06/180 SN BK BX
1017730000	BLF 5.00HC/07/180 SN BK BX
1017740000	BLF 5.00HC/08/180 SN BK BX
1017750000	BLF 5.00HC/09/180 SN BK BX
1017760000	BLF 5.00HC/10/180 SN BK BX
1017770000	BLF 5.00HC/11/180 SN BK BX
1017780000	BLF 5.00HC/12/180 SN BK BX
1017820000	BLF 5.00HC/15/180 SN BK BX
1017840000	BLF 5.00HC/17/180 SN BK BX
1017850000	BLF 5.00HC/18/180 SN BK BX
1017860000	BLF 5.00HC/02/180 SN OR BX
1017870000	BLF 5.00HC/03/180 SN OR BX
1017880000	BLF 5.00HC/04/180 SN OR BX
1017890000	BLF 5.00HC/05/180 SN OR BX
1017910000	BLF 5.00HC/06/180 SN OR BX
1017920000	BLF 5.00HC/07/180 SN OR BX
1017930000	BLF 5.00HC/08/180 SN OR BX
1017950000	BLF 5.00HC/09/180 SN OR BX
1017960000	BLF 5.00HC/10/180 SN OR BX
1017970000	BLF 5.00HC/11/180 SN OR BX
1017980000	BLF 5.00HC/12/180 SN OR BX
1017990000	BLF 5.00HC/13/180 SN OR BX
1018010000	BLF 5.00HC/14/180 SN OR BX
1018020000	BLF 5.00HC/15/180 SN OR BX
1018030000	BLF 5.00HC/16/180 SN OR BX
1018040000	BLF 5.00HC/17/180 SN OR BX
1018050000	BLF 5.00HC/18/180 SN OR BX
1026350000	BLF 5.00HC/16/90F SN BK GY BX
1026360000	BLF 5.00HC/20/90F SN BK GY BX
1043590000	SLF 7.62HP/02/180G SN BK BX
1043600000	SLF 7.62HP/03/180G SN BK BX
1043610000	SLF 7.62HP/04/180G SN BK BX
1043620000	SLF 7.62HP/05/180G SN BK BX
1043650000	SLF 7.62HP/04/180F SN OR BX
1043670000	SLF 7.62HP/02/180F SN BK BX
1043680000	SLF 7.62HP/03/180F SN BK BX
1043690000	SLF 7.62HP/04/180F SN BK BX
1043700000	SLF 7.62HP/05/180F SN BK BX
1043750000	SLF 7.62HP/02/180LR SN BK BX

1043760000	SLF 7.62HP/03/180LR SN BK BX
1043770000	SLF 7.62HP/04/180LR SN BK BX
1043780000	SLF 7.62HP/05/180LR SN BK BX
1043790000	BLF 7.62HP/02/180 SN OR BX
1043800000	BLF 7.62HP/03/180 SN OR BX
1043810000	BLF 7.62HP/04/180 SN OR BX
1043820000	BLF 7.62HP/05/180 SN OR BX
1043830000	BLF 7.62HP/02/180 SN BK BX
1043840000	BLF 7.62HP/03/180 SN BK BX
1043850000	BLF 7.62HP/04/180 SN BK BX
1043860000	BLF 7.62HP/05/180 SN BK BX
1043870000	BLF 7.62HP/02/180F SN OR BX
1043880000	BLF 7.62HP/03/180F SN OR BX
1043890000	BLF 7.62HP/04/180F SN OR BX
1043900000	BLF 7.62HP/05/180F SN OR BX
1043910000	BLF 7.62HP/02/180F SN BK BX
1043920000	BLF 7.62HP/03/180F SN BK BX
1043930000	BLF 7.62HP/04/180F SN BK BX
1043940000	BLF 7.62HP/05/180F SN BK BX
1043960000	BLF 7.62HP/03/180LR SN OR BX
1043990000	BLF 7.62HP/02/180LR SN BK BX
1044000000	BLF 7.62HP/03/180LR SN BK BX
1044010000	BLF 7.62HP/04/180LR SN BK BX
1044020000	BLF 7.62HP/05/180LR SN BK BX
1059420000	BLDF 5.08/04/180F SN OR BX
1065080000	BLDF 5.08/05/180F SN OR BX
1065090000	BLDF 5.08/06/180F SN OR BX
1065110000	BLDF 5.08/07/180F SN OR BX
1065120000	BLDF 5.08/08/180F SN OR BX
1065130000	BLDF 5.08/02/180LR SN OR BX
1065140000	BLDF 5.08/03/180LR SN OR BX
1065150000	BLDF 5.08/04/180LR SN OR BX
1065160000	BLDF 5.08/05/180LR SN OR BX
1065170000	BLDF 5.08/06/180LR SN OR BX
1065180000	BLDF 5.08/07/180LR SN OR BX
1065190000	BLDF 5.08/08/180LR SN OR BX
1065230000	BLDF 5.08/04/180LH SN OR BX
1065250000	BLDF 5.08/06/180LH SN OR BX
1065270000	BLDF 5.08/08/180LH SN OR BX
1110640000	SLF 7.62HP/03/180LR SN OR BX LRP
1110650000	SLF 7.62HP/04/180LR SN OR BX LRP
1124600000	BLF 7.62HP/03/180 SN BK BX SO
1192960000	BLF 5.08HC/03/180 SN GN BX
1211760000	BLF 5.00HC/19/180 SN OR BX
1211770000	BLF 5.00HC/20/180 SN OR BX
1211780000	BLF 5.00HC/21/180 SN OR BX
1211790000	BLF 5.00HC/22/180 SN OR BX
1211800000	BLF 5.00HC/23/180 SN OR BX



1211810000	BLF 5.00HC/24/180 SN OR BX
1211820000	BLF 5.00HC/19/180 SN BK BX
1211830000	BLF 5.00HC/20/180 SN BK BX
1211840000	BLF 5.00HC/21/180 SN BK BX
1211850000	BLF 5.00HC/22/180 SN BK BX
1211860000	BLF 5.00HC/23/180 SN BK BX
1211870000	BLF 5.00HC/24/180 SN BK BX
1212440000	BLF 5.00HC/10/180 SN OR BX PRT
1218520000	BLF 5.08HC/02/180 SN BL BX
1218530000	BLF 5.08HC/03/180 SN BL BX
1227340000	BLF 7.62HP/06/180 SN BK BX
1227350000	BLF 7.62HP/07/180 SN BK BX
1227360000	BLF 7.62HP/08/180 SN BK BX
1227370000	BLF 7.62HP/09/180 SN BK BX
1227380000	BLF 7.62HP/10/180 SN BK BX
1227390000	BLF 7.62HP/11/180 SN BK BX
1227410000	BLF 7.62HP/12/180 SN BK BX
1227420000	BLF 7.62HP/06/180LR SN BK BX
1227430000	BLF 7.62HP/07/180LR SN BK BX
1227440000	BLF 7.62HP/08/180LR SN BK BX
1227450000	BLF 7.62HP/09/180LR SN BK BX
1227460000	BLF 7.62HP/10/180LR SN BK BX
1227490000	BLF 7.62HP/06/180F SN BK BX
1227510000	BLF 7.62HP/07/180F SN BK BX
1227520000	BLF 7.62HP/08/180F SN BK BX
1227530000	BLF 7.62HP/09/180F SN BK BX
1227540000	BLF 7.62HP/10/180F SN BK BX
1230180000	BLF 7.62HP/06/180 SN OR BX
1230190000	BLF 7.62HP/07/180 SN OR BX
1230210000	BLF 7.62HP/08/180 SN OR BX
1230220000	BLF 7.62HP/09/180 SN OR BX
1230230000	BLF 7.62HP/10/180 SN OR BX
1230240000	BLF 7.62HP/11/180 SN OR BX
1230250000	BLF 7.62HP/12/180 SN OR BX
1230260000	BLF 7.62HP/06/180F SN OR BX
1230270000	BLF 7.62HP/07/180F SN OR BX
1230280000	BLF 7.62HP/08/180F SN OR BX
1230290000	BLF 7.62HP/09/180F SN OR BX
1230310000	BLF 7.62HP/10/180F SN OR BX
1238580000	BLF 5.08HC/03/180 SN OR BX PRT
1238630000	BLF 7.62HP/04/180 SN BK BX PRT
1238640000	BLF 7.62HP/06/180 SN BK BX PRT
1311440000	BLDF 5.08/02/180 SN OR PRT
1311470000	BLF 5.08HC/02/180 SN BK PRT
1311480000	BLF 5.08HC/02/90 SN OR PRT
1311490000	BLF 5.08HC/02/270 SN BK PRT
1325910000	BLF 7.62HP/02/180 SN OR BX SO
1325930000	BLF 7.62HP/04/180 SN OR BX SO

1325950000	BLF 7.62HP/06/180 SN OR BX SO
1325990000	BLF 7.62HP/10/180 SN OR BX SO
1330180000	LMF 5.00/02/180 3.5SN OR BX
1330190000	LMF 5.00/03/180 3.5SN OR BX
1330200000	LMF 5.00/04/180 3.5SN OR BX
1330210000	LMF 5.00/05/180 3.5SN OR BX
1330220000	LMF 5.00/06/180 3.5SN OR BX
1330230000	LMF 5.00/07/180 3.5SN OR BX
1330240000	LMF 5.00/08/180 3.5SN OR BX
1330250000	LMF 5.00/09/180 3.5SN OR BX
1330270000	LMF 5.00/10/180 3.5SN OR BX
1330280000	LMF 5.00/11/180 3.5SN OR BX
1330290000	LMF 5.00/12/180 3.5SN OR BX
1330300000	LMF 5.00/13/180 3.5SN OR BX
1330310000	LMF 5.00/14/180 3.5SN OR BX
1330320000	LMF 5.00/15/180 3.5SN OR BX
1330330000	LMF 5.00/16/180 3.5SN OR BX
1330340000	LMF 5.00/17/180 3.5SN OR BX
1330350000	LMF 5.00/18/180 3.5SN OR BX
1330370000	LMF 5.00/19/180 3.5SN OR BX
1330380000	LMF 5.00/20/180 3.5SN OR BX
1330390000	LMF 5.00/21/180 3.5SN OR BX
1330400000	LMF 5.00/22/180 3.5SN OR BX
1330410000	LMF 5.00/23/180 3.5SN OR BX
1330420000	LMF 5.00/24/180 3.5SN OR BX
1330710000	LMF 5.08/02/90 3.5SN OR BX
1330720000	LMF 5.08/03/90 3.5SN OR BX
1330730000	LMF 5.08/04/90 3.5SN OR BX
1330740000	LMF 5.08/05/90 3.5SN OR BX
1330750000	LMF 5.08/06/90 3.5SN OR BX
1330770000	LMF 5.08/07/90 3.5SN OR BX
1330780000	LMF 5.08/08/90 3.5SN OR BX
1330790000	LMF 5.08/09/90 3.5SN OR BX
1330800000	LMF 5.08/10/90 3.5SN OR BX
1330810000	LMF 5.08/11/90 3.5SN OR BX
1330820000	LMF 5.08/12/90 3.5SN OR BX
1330830000	LMF 5.08/13/90 3.5SN OR BX
1330840000	LMF 5.08/14/90 3.5SN OR BX
1330850000	LMF 5.08/15/90 3.5SN OR BX
1330870000	LMF 5.08/16/90 3.5SN OR BX
1330880000	LMF 5.08/17/90 3.5SN OR BX
1330890000	LMF 5.08/18/90 3.5SN OR BX
1330900000	LMF 5.08/19/90 3.5SN OR BX
1330910000	LMF 5.08/20/90 3.5SN OR BX
1330920000	LMF 5.08/21/90 3.5SN OR BX
1330930000	LMF 5.08/22/90 3.5SN OR BX
1330940000	LMF 5.08/23/90 3.5SN OR BX
1330950000	LMF 5.08/24/90 3.5SN OR BX

1331080000	LMF 5.08/02/180 3.5SN OR BX
1331100000	LMF 5.08/03/180 3.5SN OR BX
1331120000	LMF 5.08/04/180 3.5SN OR BX
1331140000	LMF 5.08/05/180 3.5SN OR BX
1331160000	LMF 5.08/06/180 3.5SN OR BX
1331180000	LMF 5.08/07/180 3.5SN OR BX
1331200000	LMF 5.08/08/180 3.5SN OR BX
1331220000	LMF 5.08/09/180 3.5SN OR BX
1331240000	LMF 5.08/10/180 3.5SN OR BX
1331260000	LMF 5.08/11/180 3.5SN OR BX
1331280000	LMF 5.08/12/180 3.5SN OR BX
1331300000	LMF 5.08/13/180 3.5SN OR BX
1331310000	LMF 5.08/14/180 3.5SN OR BX
1331320000	LMF 5.08/15/180 3.5SN OR BX
1331330000	LMF 5.08/16/180 3.5SN OR BX
1331340000	LMF 5.08/17/180 3.5SN OR BX
1331350000	LMF 5.08/18/180 3.5SN OR BX
1331370000	LMF 5.08/19/180 3.5SN OR BX
1331380000	LMF 5.08/20/180 3.5SN OR BX
1331390000	LMF 5.08/21/180 3.5SN OR BX
1331400000	LMF 5.08/22/180 3.5SN OR BX
1331410000	LMF 5.08/23/180 3.5SN OR BX
1331420000	LMF 5.08/24/180 3.5SN OR BX
1331700000	LMF 5.00/02/90 3.5SN OR BX
1331710000	LMF 5.00/03/90 3.5SN OR BX
1331720000	LMF 5.00/04/90 3.5SN OR BX
1331730000	LMF 5.00/05/90 3.5SN OR BX
1331740000	LMF 5.00/06/90 3.5SN OR BX
1331750000	LMF 5.00/07/90 3.5SN OR BX
1331770000	LMF 5.00/08/90 3.5SN OR BX
1331780000	LMF 5.00/09/90 3.5SN OR BX
1331790000	LMF 5.00/10/90 3.5SN OR BX
1331800000	LMF 5.00/11/90 3.5SN OR BX
1331810000	LMF 5.00/12/90 3.5SN OR BX
1331820000	LMF 5.00/13/90 3.5SN OR BX
1331830000	LMF 5.00/14/90 3.5SN OR BX
1331840000	LMF 5.00/15/90 3.5SN OR BX
1331850000	LMF 5.00/16/90 3.5SN OR BX
1331870000	LMF 5.00/17/90 3.5SN OR BX
1331880000	LMF 5.00/18/90 3.5SN OR BX
1331890000	LMF 5.00/19/90 3.5SN OR BX
1331910000	LMF 5.00/20/90 3.5SN OR BX
1331920000	LMF 5.00/21/90 3.5SN OR BX
1331930000	LMF 5.00/22/90 3.5SN OR BX
1331940000	LMF 5.00/23/90 3.5SN OR BX
1331950000	LMF 5.00/24/90 3.5SN OR BX
1335330000	SLF 5.08/02/180 SN OR BX
1335340000	SLF 5.08/03/180 SN OR BX

1335350000	SLF 5.08/04/180 SN OR BX
1335360000	SLF 5.08/05/180 SN OR BX
1335370000	SLF 5.08/06/180 SN OR BX
1335380000	SLF 5.08/07/180 SN OR BX
1335390000	SLF 5.08/08/180 SN OR BX
1335400000	SLF 5.08/09/180 SN OR BX
1335410000	SLF 5.08/10/180 SN OR BX
1335420000	SLF 5.08/11/180 SN OR BX
1335430000	SLF 5.08/12/180 SN OR BX
1335440000	SLF 5.08/02/180B SN OR BX
1335450000	SLF 5.08/03/180B SN OR BX
1335460000	SLF 5.08/04/180B SN OR BX
1335470000	SLF 5.08/05/180B SN OR BX
1335480000	SLF 5.08/06/180B SN OR BX
1335490000	SLF 5.08/07/180B SN OR BX
1335510000	SLF 5.08/08/180B SN OR BX
1335520000	SLF 5.08/09/180B SN OR BX
1335530000	SLF 5.08/10/180B SN OR BX
1335540000	SLF 5.08/11/180B SN OR BX
1335550000	SLF 5.08/12/180B SN OR BX
1335560000	SLF 5.08/02/180 SN BK BX
1335570000	SLF 5.08/03/180 SN BK BX
1335580000	SLF 5.08/04/180 SN BK BX
1335590000	SLF 5.08/02/180F SN OR BX
1335610000	SLF 5.08/05/180 SN BK BX
1335620000	SLF 5.08/03/180F SN OR BX
1335630000	SLF 5.08/06/180 SN BK BX
1335640000	SLF 5.08/04/180F SN OR BX
1335650000	SLF 5.08/07/180 SN BK BX
1335660000	SLF 5.08/05/180F SN OR BX
1335670000	SLF 5.08/08/180 SN BK BX
1335680000	SLF 5.08/06/180F SN OR BX
1335690000	SLF 5.08/09/180 SN BK BX
1335700000	SLF 5.08/07/180F SN OR BX
1335710000	SLF 5.08/10/180 SN BK BX
1335720000	SLF 5.08/08/180F SN OR BX
1335730000	SLF 5.08/11/180 SN BK BX
1335740000	SLF 5.08/09/180F SN OR BX
1335750000	SLF 5.08/12/180 SN BK BX
1335760000	SLF 5.08/10/180F SN OR BX
1335770000	SLF 5.08/02/180B SN BK BX
1335780000	SLF 5.08/11/180F SN OR BX
1335790000	SLF 5.08/03/180B SN BK BX
1335800000	SLF 5.08/12/180F SN OR BX
1335810000	SLF 5.08/04/180B SN BK BX
1335830000	SLF 5.08/05/180B SN BK BX
1335850000	SLF 5.08/06/180B SN BK BX
1335880000	SLF 5.08/07/180B SN BK BX

1335900000	SLF 5.08/08/180B SN BK BX
1335920000	SLF 5.08/09/180B SN BK BX
1335940000	SLF 5.08/10/180B SN BK BX
1335970000	SLF 5.08/11/180B SN BK BX
1335990000	SLF 5.08/12/180B SN BK BX
1336040000	SLF 5.08/02/180FI SN BK BX
1336050000	SLF 5.08/03/180FI SN BK BX
1336070000	SLF 5.08/04/180FI SN BK BX
1336080000	SLF 5.08/05/180FI SN BK BX
1336090000	SLF 5.08/06/180FI SN BK BX
1336100000	SLF 5.08/07/180FI SN BK BX
1336110000	SLF 5.08/08/180FI SN BK BX
1336120000	SLF 5.08/09/180FI SN BK BX
1336130000	SLF 5.08/10/180FI SN BK BX
1336140000	SLF 5.08/11/180FI SN BK BX
1336150000	SLF 5.08/12/180FI SN BK BX
1336170000	SLF 5.08/02/180F SN BK BX
1336180000	SLF 5.08/03/180F SN BK BX
1336190000	SLF 5.08/04/180F SN BK BX
1336200000	SLF 5.08/05/180F SN BK BX
1336210000	SLF 5.08/06/180F SN BK BX
1336220000	SLF 5.08/07/180F SN BK BX
1336230000	SLF 5.08/08/180F SN BK BX
1336240000	SLF 5.08/09/180F SN BK BX
1336250000	SLF 5.08/10/180F SN BK BX
1336270000	SLF 5.08/11/180F SN BK BX
1336280000	SLF 5.08/12/180F SN BK BX
1336400000	SLF 5.08/02/180FI SN OR BX
1336410000	SLF 5.08/03/180FI SN OR BX
1336420000	SLF 5.08/04/180FI SN OR BX
1336430000	SLF 5.08/05/180FI SN OR BX
1336440000	SLF 5.08/06/180FI SN OR BX
1336450000	SLF 5.08/07/180FI SN OR BX
1336470000	SLF 5.08/08/180FI SN OR BX
1336480000	SLF 5.08/09/180FI SN OR BX
1336490000	SLF 5.08/10/180FI SN OR BX
1336500000	SLF 5.08/11/180FI SN OR BX
1336510000	SLF 5.08/12/180FI SN OR BX
1350900000	BLF 7.62HP/02/180 SN BK BX SO
1350920000	BLF 7.62HP/02/180 SN BK BX SO
1353240000	BLF 5.08HC/02/180DF SN OR BX
1353580000	SLF 5.08/02/180DF SN OR BX
1353590000	SLF 5.08/03/180DF SN OR BX
1353600000	SLF 5.08/04/180DF SN OR BX
1353620000	SLF 5.08/05/180DF SN OR BX
1353630000	SLF 5.08/06/180DF SN OR BX
1353640000	SLF 5.08/07/180DF SN OR BX
1353650000	SLF 5.08/08/180DF SN OR BX

1353670000	SLF 5.08/09/180DF SN OR BX
1353680000	SLF 5.08/10/180DF SN OR BX
1364670000	BLF 5.08HC/02/180 DRH SN OR BX SO
1364680000	BLF 5.08HC/03/180 SN OR BX SO
1368810000	BLF 5.08HC/02/180B SN OR BX
1368960000	BLF 5.08HC/03/180 SN WH BX SO
1369690000	BLDF 5.08/08/180 SN OR BX SO
1376550000	BLF 7.62HP/06/180LR SN BK BX SO
1376570000	BLF 7.62HP/03/180LR SN BK BX SO
1394890000	BLF 5.08HC/02/180 DRH SN RD BX SO
1394910000	BLF 5.08HC/02/180 DRH SN BL BX SO
1394920000	BLF 5.08HC/02/180 DRH SN BK BX SO
1394930000	BLF 5.08HC/02/180 DRH SN WH BX SO
1401440000	BLF 5.08HC/02/180 SN GN BX
1401480000	BLF 5.08HC/02/180F SN GN BX
1409220000	BLF 5.00HC/06/180F AU BK BX PRT
1409230000	BLF 5.00HC/06/180F AU BK BX PRT
1424760000	LMF 5.00/02/90 3.5SN BK BX
1424770000	LMF 5.00/03/90 3.5SN BK BX
1424780000	LMF 5.00/04/90 3.5SN BK BX
1424810000	LMF 5.00/06/90 3.5SN BK BX
1424820000	LMF 5.00/07/90 3.5SN BK BX
1424830000	LMF 5.00/08/90 3.5SN BK BX
1424840000	LMF 5.00/09/90 3.5SN BK BX
1424860000	LMF 5.00/10/90 3.5SN BK BX
1424870000	LMF 5.00/11/90 3.5SN BK BX
1424880000	LMF 5.00/12/90 3.5SN BK BX
1424890000	LMF 5.00/13/90 3.5SN BK BX
1424910000	LMF 5.00/14/90 3.5SN BK BX
1424920000	LMF 5.00/15/90 3.5SN BK BX
1424930000	LMF 5.00/16/90 3.5SN BK BX
1424940000	LMF 5.00/17/90 3.5SN BK BX
1424950000	LMF 5.00/18/90 3.5SN BK BX
1424960000	LMF 5.00/19/90 3.5SN BK BX
1424970000	LMF 5.00/20/90 3.5SN BK BX
1424980000	LMF 5.00/21/90 3.5SN BK BX
1424990000	LMF 5.00/22/90 3.5SN BK BX
1425010000	LMF 5.00/23/90 3.5SN BK BX
1425020000	LMF 5.00/24/90 3.5SN BK BX
1425030000	LMF 5.00/02/180 3.5SN BK BX
1425040000	LMF 5.00/03/180 3.5SN BK BX
1425050000	LMF 5.00/04/180 3.5SN BK BX SO
1425060000	LMF 5.00/05/180 3.5SN BK BX
1425070000	LMF 5.00/06/180 3.5SN BK BX
1425080000	LMF 5.00/07/180 3.5SN BK BX SO
1425090000	LMF 5.00/08/180 3.5SN BK BX SO
1425110000	LMF 5.00/09/180 3.5SN BK BX
1425120000	LMF 5.00/10/180 3.5SN BK BX



1425130000	LMF 5.00/11/180 3.5SN BK BX
1425140000	LMF 5.00/12/180 3.5SN BK BX
1425150000	LMF 5.00/13/180 3.5SN BK BX
1425160000	LMF 5.00/14/180 3.5SN BK BX
1425170000	LMF 5.00/15/180 3.5SN BK BX
1425180000	LMF 5.00/16/180 3.5SN BK BX
1425190000	LMF 5.00/17/180 3.5SN BK BX
1425210000	LMF 5.00/18/180 3.5SN BK BX
1425220000	LMF 5.00/19/180 3.5SN BK BX
1425230000	LMF 5.00/20/180 3.5SN BK BX
1425240000	LMF 5.00/21/180 3.5SN BK BX
1425250000	LMF 5.00/22/180 3.5SN BK BX
1425260000	LMF 5.00/23/180 3.5SN BK BX
1425270000	LMF 5.00/24/180 3.5SN BK BX
1425810000	LMF 5.08/02/90 3.5SN BK BX
1425820000	LMF 5.08/03/90 3.5SN BK BX
1425830000	LMF 5.08/04/90 3.5SN BK BX
1425840000	LMF 5.08/05/90 3.5SN BK BX
1425850000	LMF 5.08/06/90 3.5SN BK BX
1425860000	LMF 5.08/07/90 3.5SN BK BX
1425870000	LMF 5.08/08/90 3.5SN BK BX
1425880000	LMF 5.08/09/90 3.5SN BK BX
1425890000	LMF 5.08/10/90 3.5SN BK BX
1425910000	LMF 5.08/11/90 3.5SN BK BX
1425920000	LMF 5.08/12/90 3.5SN BK BX
1425930000	LMF 5.08/13/90 3.5SN BK BX
1425940000	LMF 5.08/14/90 3.5SN BK BX
1425950000	LMF 5.08/15/90 3.5SN BK BX
1425960000	LMF 5.08/16/90 3.5SN BK BX
1425970000	LMF 5.08/17/90 3.5SN BK BX
1425980000	LMF 5.08/18/90 3.5SN BK BX
1425990000	LMF 5.08/19/90 3.5SN BK BX
1426010000	LMF 5.08/20/90 3.5SN BK BX
1426020000	LMF 5.08/21/90 3.5SN BK BX
1426030000	LMF 5.08/22/90 3.5SN BK BX
1426040000	LMF 5.08/23/90 3.5SN BK BX
1426050000	LMF 5.08/24/90 3.5SN BK BX
1426060000	LMF 5.08/02/180 3.5SN BK BX
1426070000	LMF 5.08/03/180 3.5SN BK BX
1426080000	LMF 5.08/04/180 3.5SN BK BX
1426090000	LMF 5.08/05/180 3.5SN BK BX
1426110000	LMF 5.08/06/180 3.5SN BK BX
1426120000	LMF 5.08/07/180 3.5SN BK BX
1426130000	LMF 5.08/08/180 3.5SN BK BX
1426140000	LMF 5.08/09/180 3.5SN BK BX
1426150000	LMF 5.08/10/180 3.5SN BK BX
1426160000	LMF 5.08/11/180 3.5SN BK BX
1426170000	LMF 5.08/12/180 3.5SN BK BX

1426180000	LMF 5.08/13/180 3.5SN BK BX
1426190000	LMF 5.08/14/180 3.5SN BK BX
1426200000	LMF 5.08/15/180 3.5SN BK BX
1426220000	LMF 5.08/16/180 3.5SN BK BX
1426230000	LMF 5.08/17/180 3.5SN BK BX
1426240000	LMF 5.08/18/180 3.5SN BK BX
1426250000	LMF 5.08/19/180 3.5SN BK BX
1426260000	LMF 5.08/20/180 3.5SN BK BX
1426270000	LMF 5.08/21/180 3.5SN BK BX
1426280000	LMF 5.08/22/180 3.5SN BK BX
1426290000	LMF 5.08/23/180 3.5SN BK BX
1426310000	LMF 5.08/24/180 3.5SN BK BX
1427310000	LMF 5.00/04/180 3.5SN BK BX
1427320000	LMF 5.00/08/180 3.5SN BK BX
1427330000	LMF 5.00/07/180 3.5SN BK BX
1436280000	BLF 5.08HC/02/180 SN BK BX SO
1436290000	BLF 5.08HC/02/180 SN BK BX SO
1436310000	BLDF 5.08/02/180 SN BK BX PRT
1458350000	SLF 5.08/02/180B SN DKGY BX SO
1458370000	SLF 5.08/02/180B SN DKGY BX SO
1458380000	SLF 5.08/04/180B SN DKGY BX SO
1458390000	SLF 5.08/04/180B SN DKGY BX SO
1458400000	SLF 5.08/05/180B SN DKGY BX SO
1458410000	SLF 5.08/05/180B SN DKGY BX SO
1463970000	BLF 5.08HC/03/180 SN BK BX PRT
1464000000	BLF 5.08HC/02/180 SN BK BX PRT
1464010000	BLF 5.08HC/02/180 SN BK BX PRT
1464020000	BLF 5.08HC/02/180 SN BK BX PRT
1464030000	BLF 5.08HC/02/180 SN BK BX PRT
1464040000	BLF 5.08HC/02/180 SN BK BX PRT
1464050000	BLF 5.08HC/02/180 SN BK BX PRT
1464070000	BLF 5.08HC/02/180 SN BK BX PRT
1464080000	BLF 5.08HC/03/180 SN BK BX PRT
1464090000	BLF 5.08HC/03/180 SN BK BX PRT
1464100000	BLF 5.08HC/03/180 SN BK BX PRT
1464210000	BLF 5.08HC/02/180 SN BK BX PRT
1464220000	BLF 5.08HC/02/180 SN BK BX PRT
1464230000	BLF 5.08HC/02/180 SN BK BX PRT
1467120000	BLF 7.62HP/06/180 SN BK BX PRT
1470340000	LMF 5.00/05/180 3.5SN OR BX SO
1470350000	LMF 5.00/05/180 3.5SN OR BX SO
1470360000	LMF 5.00/05/180 3.5SN OR BX SO
1470370000	LMF 5.00/05/180 3.5SN BK BX SO
1470380000	LMF 5.00/05/180 3.5SN BK BX SO
1470390000	LMF 5.00/05/180 3.5SN BK BX SO
1479610000	BLF 5.00HC/04/180 SN OR BX PRT
1497500000	BHF 5.00/04/180LH BK/BK
1497670000	BHF 5.00/03/180LH BK/BK

1497740000	BHF 5.00/02/180LH BK/BK
1506030000	BLDF 5.08/02/180 SN BK BX SO
1515500000	SLF 5.08/04/180B SN OR BX PRT
1515520000	SLF 5.08/03/180B SN OR BX PRT
1515530000	SLF 5.08/03/180B SN OR BX PRT
1515540000	SLF 5.08/02/180B SN OR BX PRT
1515770000	BLF 5.08HC/02/180 SN OR BX PRT
1516420000	LMF 5.00/03/180 3.5SN BK BX SO
1518900000	BLDF 5.08/02/180LR SN BK BX SO
1532190000	BLF 5.00HC/04/180 SN BK BX SO
1539340000	SLF 5.08/04/180B SN DKGY BX SO
1539350000	SLF 5.08/02/180B SN DKGY BX SO
1539360000	SLF 5.08/05/180B SN DKGY BX SO
1539370000	SLF 5.08/04/180B SN DKGY BX SO
1539380000	SLF 5.08/02/180B SN DKGY BX SO
1539390000	SLF 5.08/05/180B SN DKGY BX SO
1549240000	BLF 5.00HC/02/180 AU BK BX SO
1560870000	BLF 5.00HC/03/180 SN GY BX
1903530000	BLF 7.62HP/04/180F AU BK BX
1979270000	BLF 5.00HC/02/90 SN BK BX
1979280000	BLF 5.00HC/03/90 SN BK BX
1979290000	BLF 5.00HC/04/90 SN BK BX
1979300000	BLF 5.00HC/05/90 SN BK BX
1979330000	BLF 5.00HC/08/90 SN BK BX
1979350000	BLF 5.00HC/10/90 SN BK BX
1979420000	BLF 5.00HC/17/90 SN BK BX
1979520000	BLF 5.00HC/08/90F SN BK BX
1979540000	BLF 5.00HC/10/90F SN BK BX
1979560000	BLF 5.00HC/12/90F SN BK BX
1979580000	BLF 5.00HC/14/90F SN BK BX
1979600000	BLF 5.00HC/16/90F SN BK BX
1979610000	BLF 5.00HC/17/90F SN BK BX
1979640000	BLF 5.00HC/20/90F SN BK BX
1979810000	BLF 5.00HC/04/90LR SN BK BX
1979820000	BLF 5.00HC/05/90LR SN BK BX
1979850000	BLF 5.00HC/08/90LR SN BK BX
1980010000	BLF 5.00HC/05/90LH SN BK BX
1980060000	BLF 5.00HC/10/90LH SN BK BX
1980170000	BLF 5.00HC/02/90 SN OR BX
1980180000	BLF 5.00HC/03/90 SN OR BX
1980190000	BLF 5.00HC/04/90 SN OR BX
1980200000	BLF 5.00HC/05/90 SN OR BX
1980210000	BLF 5.00HC/06/90 SN OR BX
1980220000	BLF 5.00HC/07/90 SN OR BX
1980230000	BLF 5.00HC/08/90 SN OR BX
1980240000	BLF 5.00HC/09/90 SN OR BX
1980250000	BLF 5.00HC/10/90 SN OR BX
1980260000	BLF 5.00HC/11/90 SN OR BX

1980270000	BLF 5.00HC/12/90 SN OR BX
1980280000	BLF 5.00HC/13/90 SN OR BX
1980290000	BLF 5.00HC/14/90 SN OR BX
1980300000	BLF 5.00HC/15/90 SN OR BX
1980310000	BLF 5.00HC/16/90 SN OR BX
1980320000	BLF 5.00HC/17/90 SN OR BX
1980330000	BLF 5.00HC/18/90 SN OR BX
1980340000	BLF 5.00HC/19/90 SN OR BX
1980360000	BLF 5.00HC/20/90 SN OR BX
1980640000	BLF 5.00HC/02/90F SN OR BX
1980650000	BLF 5.00HC/03/90F SN OR BX
1980660000	BLF 5.00HC/04/90F SN OR BX
1980670000	BLF 5.00HC/05/90F SN OR BX
1980680000	BLF 5.00HC/06/90F SN OR BX
1980690000	BLF 5.00HC/07/90F SN OR BX
1980700000	BLF 5.00HC/08/90F SN OR BX
1980710000	BLF 5.00HC/09/90F SN OR BX
1980720000	BLF 5.00HC/10/90F SN OR BX
1980730000	BLF 5.00HC/11/90F SN OR BX
1980740000	BLF 5.00HC/12/90F SN OR BX
1980750000	BLF 5.00HC/13/90F SN OR BX
1980760000	BLF 5.00HC/14/90F SN OR BX
1980780000	BLF 5.00HC/15/90F SN OR BX
1980790000	BLF 5.00HC/16/90F SN OR BX
1980800000	BLF 5.00HC/17/90F SN OR BX
1980810000	BLF 5.00HC/18/90F SN OR BX
1980820000	BLF 5.00HC/19/90F SN OR BX
1980840000	BLF 5.00HC/20/90F SN OR BX
1980870000	BLF 5.00HC/02/90LR SN OR BX
1980880000	BLF 5.00HC/03/90LR SN OR BX
1980890000	BLF 5.00HC/04/90LR SN OR BX
1980900000	BLF 5.00HC/05/90LR SN OR BX
1980910000	BLF 5.00HC/06/90LR SN OR BX
1980920000	BLF 5.00HC/07/90LR SN OR BX
1980930000	BLF 5.00HC/08/90LR SN OR BX
1980940000	BLF 5.00HC/09/90LR SN OR BX
1980950000	BLF 5.00HC/10/90LR SN OR BX
1980960000	BLF 5.00HC/11/90LR SN OR BX
1980970000	BLF 5.00HC/12/90LR SN OR BX
1980980000	BLF 5.00HC/13/90LR SN OR BX
1980990000	BLF 5.00HC/14/90LR SN OR BX
1981000000	BLF 5.00HC/15/90LR SN OR BX
1981010000	BLF 5.00HC/16/90LR SN OR BX
1981020000	BLF 5.00HC/17/90LR SN OR BX
1981030000	BLF 5.00HC/18/90LR SN OR BX
1981040000	BLF 5.00HC/19/90LR SN OR BX
1981050000	BLF 5.00HC/20/90LR SN OR BX
1981930000	BLF 5.08HC/02/270 SN BK BX

1982310000	BLF 5.08HC/02/270LR SN BK BX
1982700000	BLF 5.08HC/02/270 SN OR BX
1982890000	BLF 5.08HC/02/270F SN OR BX
1983080000	BLF 5.08HC/02/270LR SN OR BX
1988380000	BHF 5.00/02/180LH BK/OR
1989090000	BHF 5.00/04/180LH BK/BL
1989190000	BHF 5.00/04/180LH BK/OR
1989200000	BHF 5.00/03/180LH BK/BL
1989210000	BHF 5.00/03/180LH BK/OR
1989220000	BHF 5.00/02/180LH BK/BL
1990720000	BLF 5.08HC/02/270 SN BK BX PRT
1990730000	BLF 5.08HC/02/270 SN BK BX PRT
1990740000	BLF 5.08HC/02/270 SN BK BX PRT
1990750000	BLF 5.08HC/02/270 SN BK BX PRT
1990760000	BLF 5.08HC/02/270 SN BK BX PRT
1990770000	BLF 5.08HC/02/270 SN BK BX PRT
1990780000	BLF 5.08HC/02/270 SN BK BX PRT
1990790000	BLF 5.08HC/02/270 SN BK BX PRT
1990800000	BLF 5.08HC/02/270 SN BK BX PRT
1990810000	BLF 5.08HC/02/270 SN BK BX PRT
1990820000	BLF 5.08HC/02/270 SN BK BX PRT
1990830000	BLF 5.08HC/02/270 SN BK BX PRT
1990840000	BLF 5.08HC/02/270 SN BK BX PRT
1994960000	BLF 5.00HC/03/180 SN BK BX SO
1994970000	BLF 5.00HC/02/180 SN BK BX SO
2002120000	BLF 5.08HC/03/180 SN OR BX PRT
2002130000	BLF 5.08HC/03/180 SN OR BX PRT
2003640000	BLF 7.62HP/05/180F SN BK BX PRT
2005020000	BLF 5.00HC/02/90 AU BK BX SO
2009520000	SLF 5.08/05/180B SN DKGY BX SO
2009530000	SLF 5.08/05/180B SN DKGY BX SO
2009670000	SLF 5.08/03/180 SN GN BX
2152550000	BLF 5.08HC/02/180 SN OR BX PRT
2152580000	BLF 7.62HP/09/180 SN OR BX PRT
2433130000	BLF 5.08HC/03/180 SN OR BX TB
2433140000	SLF 5.08/03/180 SN OR BX TB
2438820000	BLF 5.00HC/02/180 SN BK BX SO
2438840000	BLF 5.00HC/03/180 SN BK BX SO
2439050000	BLF 5.00HC/04/180 SN BK BX SO
2440210000	SLF 5.08/06/180DF SN OR BX SO
2452200000	BLF 7.62HP/08/180LR SN BK BX SO
2454790000	BLF 5.08HC/03/180 SN OR BX PRT
2456790000	SLF 5.08/04/180B SN BK BX PRT
2456830000	SLF 5.08/02/180B SN BK BX PRT
2460830000	BLF 7.62HP/03/180LR SN BK BX SO
2460840000	BLF 7.62HP/06/180LR SN BK BX SO
2460910000	BLF 7.62HP/03/180 SN BK BX PRT
2473460000	BLF 5.08HC/03/180 SN OR BX SO

2483860000	BLF 5.08HC/02/180 SN BK BX PRT
2483870000	BLF 5.08HC/02/180 SN BK BX SO
2488260000	BHF 5.00/04 BK/BK PRT 61
2488270000	BHF 5.00/02 BK/BL PRT 11
2488280000	BHF 5.00/02 BK/BL PRT 21
2488290000	BHF 5.00/02 BK/BL PRT 31
2488300000	BHF 5.00/02 BK/BK PRT 11
2488310000	BHF 5.00/02 BK/BK PRT 21
2488320000	BHF 5.00/02 BK/BK PRT 31
2488330000	BHF 5.00/02 BK/BK PRT 41
2488340000	BHF 5.00/02 BK/BK PRT 51
2488350000	BHF 5.00/02 BK/BK PRT 61
2488360000	BHF 5.00/03 BK/BL PRT 11
2488370000	BHF 5.00/03 BK/BL PRT 21
2488380000	BHF 5.00/03 BK/BL PRT 31
2488390000	BHF 5.00/03 BK/BK PRT 11
2488400000	BHF 5.00/03 BK/BK PRT 21
2488410000	BHF 5.00/03 BK/BK PRT 31
2488420000	BHF 5.00/03 BK/BK PRT 41
2488430000	BHF 5.00/03 BK/BK PRT 51
2488440000	BHF 5.00/03 BK/BK PRT 61
2488450000	BHF 5.00/04 BK/BL PRT 11
2488460000	BHF 5.00/04 BK/BL PRT 21
2488470000	BHF 5.00/04 BK/BL PRT 31
2488480000	BHF 5.00/04 BK/BK PRT 11
2488490000	BHF 5.00/04 BK/BK PRT 21
2488500000	BHF 5.00/04 BK/BK PRT 31
2488510000	BHF 5.00/04 BK/BK PRT 41
2488520000	BHF 5.00/04 BK/BK PRT 51
2491040000	LMF 5.00/01/90 3.5SN GN/YL BX
2494910000	BHF 5.00/02 BK/BK PRT 5/6
2494920000	BHF 5.00/02 BK/BK PRT 10/11
2494930000	BHF 5.00/02 BK/BK PRT 9/7
2494940000	BHF 5.00/02 BK/BK PRT 1/3
2494950000	BHF 5.00/02 BK/BK PRT 1/2
2494960000	BHF 5.00/02 BK/BK PRT 4/3
2494970000	BHF 5.00/02 BK/BK PRT 4/2
2497310000	BLDF 5.08/05/180 SN OR BX LRP
2497320000	SLF 5.08/05/180B SN OR BX LRP
2497370000	SLF 5.08/07/180B SN OR BX LRP
2497380000	BLDF 5.08/07/180 SN OR BX LRP
2508110000	BHF 5.00/02 BK/BK PRT 2/4
2531690000	BLF 5.08HC/02/180 SN OR BX SO
2533370000	BLF 5.08HC/03/180 SN OR BX PRT
2533670000	BLF 5.08HC/03/180 SN BK BX PRT
2536120000	SLF 5.08/02/180B SN OR BX SO
2536130000	SLF 5.08/03/180B SN OR BX SO
2536140000	SLF 5.08/04/180B SN OR BX SO



2536150000	SLF 5.08/06/180B SN OR BX SO
2536160000	SLF 5.08/08/180B SN OR BX SO
2541110000	SLF 5.08/09/180F SN BK BX PRT
2541230000	BLF 5.08HC/02/180F SN BK BX PRT
2541270000	SLF 5.08/04/180F SN BK BX PRT
2541280000	SLF 5.08/05/180F SN BK BX PRT
2541290000	SLF 5.08/02/180F SN BK BX PRT
2541300000	SLF 5.08/03/180F SN BK BX PRT
2541310000	SLF 5.08/04/180F SN BK BX PRT
2547360000	BLDF 5.08/07/180 SN BK BX SO
2547370000	BLF 5.08HC/02/180 SN BK BX SO
2547410000	BLDF 5.08/03/180 SN BK BX SO
2551940000	LMF 5.08/11/180 3.5SN BL BX
2555440000	BLF 7.62HP/03/180LR SN BK BX SO
2555620000	BHF 5.00/04/180LH BK/RD
2564460000	BLF 5.08HC/02/90F SN OR BX SO
2564500000	BLF 5.08HC/02/180F SN OR BX SO
2568110000	BLDF 5.08/02/180 SN BK BX PRT
2568140000	BLDF 5.08/02/180 SN BK BX PRT
2568270000	BLF 5.00HC/04/180F SN BK BX SO
2568470000	BLDF 5.08/05/180 SN OR BX LRP
2568490000	SLF 5.08/05/180B SN OR BX LRP
2568960000	BLF 7.62HP/03/180F AU BK BX
2570150000	BLDF 5.08/03/180 SN OR BX LRP
2570160000	SLF 5.08/03/180B SN OR BX LRP
2570620000	BHF 5.00/04/180LH BK/RD SO
2575450000	BLF 5.08HC/03/180 SN BK BX SO
2575580000	BLF 5.08HC/02/180LR SN BK BX PRT
2575590000	BLDF 5.08/02/180LR SN BK BX PRT
2578470000	BLF 5.08HC/02/180 SN BK BX SO
2578510000	BLF 5.08HC/03/180 SN BK BX SO
2585440000	BLF 5.08HC/02/180LR SN BK BX PRT
2585800000	LMF 5.08/08/180 3.5SN BN BX
2592500000	BLF 5.00HC/04/180LR SN OR BX PRT
2592530000	BLF 5.00HC/10/180LR SN OR BX PRT
2602630000	LMF 5.08/08/180 3.5SN BL BX