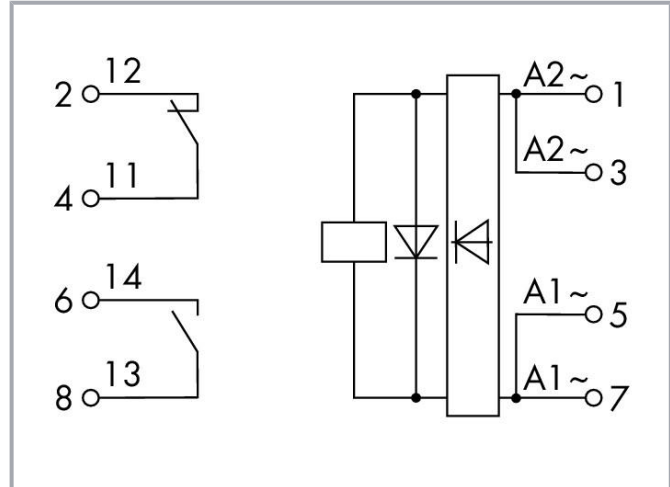
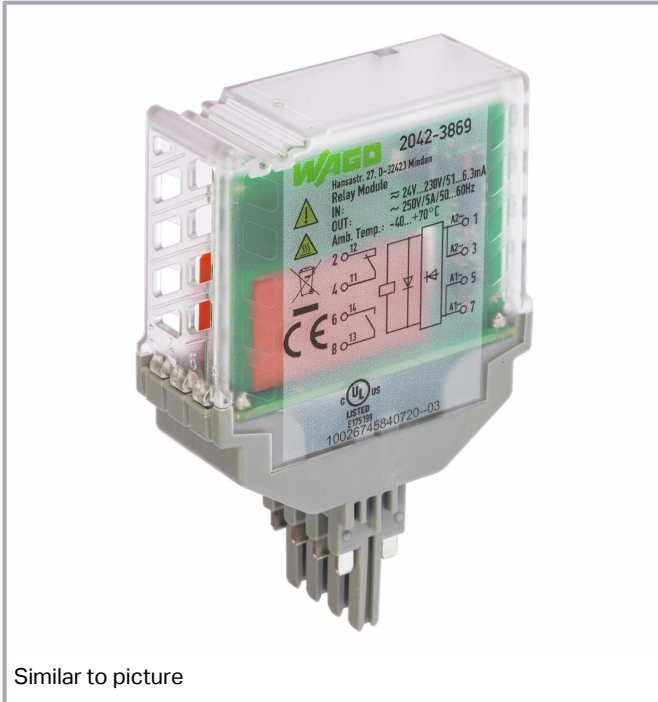


**Data sheet | Item number: 2042-3869**

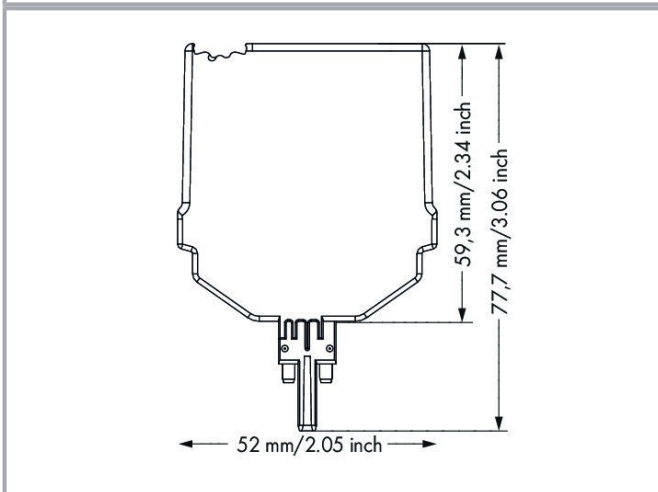
Relay module; Nominal input voltage: 24 ... 230 V AC/DC; 1 break and 1 make contact; Limiting continuous current: 5 A; Green status indicator; Module width: 20 mm



[www.wago.com/2042-3869](http://www.wago.com/2042-3869)



Similar to picture



Subject to changes. Please also observe the further product documentation!

WAGO Kontakttechnik GmbH & Co. KG  
Hansastr. 27  
32423 Minden  
Phone: +49571 887-0 | Fax: +49571 887-169  
Email: [info.de@wago.com](mailto:info.de@wago.com) | Web: [www.wago.com](http://www.wago.com)

Do you have any questions about our products?  
We are always happy to take your call at +49 (571) 887-44222.



## Data

### Technical data

### Control circuit

Nominal input voltage $U_N$	AC/DC 24 ... 230 V
Input voltage range	$\pm 10\%$
Nominal input current at $U_N$	2.8 mA (230 V); 49.1 mA (24 V)

Subject to changes. Please also observe the further product documentation!



## Load circuit

Number of break/switch-off contacts	1
Number of make/switch-on contacts	1
Contact material (relay)	AgNi
Limiting continuous current	5 A
Inrush current (resistive) (max.)	(AC) 15 A / 4 s
Switching voltage (max.)	AC 250 V
Switching power (resistive) (max.)	AC 1250 VA; DC (see load limit curve)
Recommended minimum load	12 V / 10 mA
Pull-in time (typ.)	8 ms
Drop-out time (typ.)	6 ms
Bounce time (typ.)	4 ms
Electrical life (NO; resistive load; 23 °C)	100 x 10 <sup>3</sup> switching operations
Mechanical life	10 x 10 <sup>6</sup> switching operations

## Signaling

Status indicator	Green LED
------------------	-----------

## Safety and protection

Rated voltage	250 V
Pollution degree	2
Dielectric strength, control/load circuit (AC, 1 min)	3 kVrms
Dielectric strength, open contact (AC, 1 min)	1 kVrms
Dielectric strength, channel/channel (AC, 1 min.)	1.5 kV <sub>rms</sub>
Protection type	IP20

## Physical data

Width	20.7 mm / 0.815 inch
Height	77.7 mm / 3.059 inch
Height from the surface	59.3 mm / 2.335 inch
Depth	52 mm / 2.047 inch

## Mechanical data

Mounting type	Pluggable module for TOPJOB® S carrier terminal block
---------------	---

Subject to changes. Please also observe the further product documentation!

## Material data

Flammability class per UL94	V0
Fire load	0.871 MJ
Weight	39.2 g

## Environmental requirements

Surrounding air temperature (operation at $U_N$ )	-40 ... 70 °C
Surrounding air temperature (storage)	-40 ... 85 °C
Processing temperature	-25 ... +50 °C
Operating altitude (max.)	2000 m

## Standards and specifications


Standards/Specifications	EN 61010-2-201 EN 61373 EN 50121-3-2
--------------------------	--

## Commercial data

PU (SPU)	4 Stück
Packaging type	box
Country of origin	DE
GTIN	4055143651950
Customs tariff number	85364900990

## Approvals / Certificates

### UL-Approvals

Logo	Approval	Additional Approval Text	Certificate name
	UL Underwriters Laboratories Inc. (ORDINARY LOCATIONS)	UL 61010-1	E175199

## Optional accessories

### End plate

End plate	Item no.: 2002-1892	<a href="http://www.wago.com/2002-1892">www.wago.com/2002-1892</a>
-----------	---------------------	--

Subject to changes. Please also observe the further product documentation!

End and intermediate plate; 1 mm thick; orange

**Item no.: 2002-1891**

End and intermediate plate; 1 mm thick; gray

[www.wago.com/2002-1891](http://www.wago.com/2002-1891)



**Item no.: 2002-1991**

End and intermediate plate; 1 mm thick; gray

[www.wago.com/2002-1991](http://www.wago.com/2002-1991)



**Item no.: 2002-1992**

End and intermediate plate; 1 mm thick; orange

[www.wago.com/2002-1992](http://www.wago.com/2002-1992)



**Item no.: 2002-1691**

End and intermediate plate; 1 mm thick; gray

[www.wago.com/2002-1691](http://www.wago.com/2002-1691)

**Item no.: 2002-1692**

End and intermediate plate; 1 mm thick; orange

[www.wago.com/2002-1692](http://www.wago.com/2002-1692)



**Item no.: 2002-1791**

End and intermediate plate; 1 mm thick; gray

[www.wago.com/2002-1791](http://www.wago.com/2002-1791)



**Item no.: 2002-1792**

End and intermediate plate; 1 mm thick; orange

[www.wago.com/2002-1792](http://www.wago.com/2002-1792)

#### Marking accessories

##### Marking strip



**Item no.: 2009-110**

Marking strips; for Smart Printer; on reel; not stretchable; plain; snap-on type; white

[www.wago.com/2009-110](http://www.wago.com/2009-110)

##### Marker



**Item no.: 2009-115**

WMB-Inline; for Smart Printer; 1500 pieces on roll; stretchable 5 - 5.2 mm; plain; snap-on type; white

[www.wago.com/2009-115](http://www.wago.com/2009-115)



**Item no.: 793-501**

WMB marking card; as card; not stretchable; plain; snap-on type; white

[www.wago.com/793-501](http://www.wago.com/793-501)



**Item no.: 793-5501**

WMB marking card; as card; for terminal block width 5 - 17.5 mm; stretchable 5 - 5.2 mm; plain; snap-on type; white

[www.wago.com/793-5501](http://www.wago.com/793-5501)

#### Terminal blocks

##### Carrier terminal block for modules and plugs



**Item no.: 2002-1961**

2-conductor carrier terminal block; with additional jumper position; for DIN-rail 35 x 15 and 35 x 7.5; 2.5 mm<sup>2</sup>; Push-in CAGE CLAMP®; 2,50 mm<sup>2</sup>; gray

[www.wago.com/2002-1961](http://www.wago.com/2002-1961)



**Item no.: 2002-1661**

2-conductor carrier terminal block; for DIN-rail 35 x 15 and 35 x 7.5; 2.5 mm<sup>2</sup>; Push-in CAGE CLAMP®; 2,50 mm<sup>2</sup>; gray

[www.wago.com/2002-1661](http://www.wago.com/2002-1661)



**Item no.: 2002-1761**

3-conductor carrier terminal block; for DIN-rail 35 x 15 and 35 x 7.5; 2.5 mm<sup>2</sup>; Push-in CAGE CLAMP®; 2,50 mm<sup>2</sup>; gray

[www.wago.com/2002-1761](http://www.wago.com/2002-1761)

**Item no.: 2002-1861**

Subject to changes. Please also observe the further product documentation!

WAGO Kontakttechnik GmbH & Co. KG

Hansastr. 27

32423 Minden

Phone: +49571 887-0 | Fax: +49571 887-169

Email: [info.de@wago.com](mailto:info.de@wago.com) | Web: [www.wago.com](http://www.wago.com)

Do you have any questions about our products?

We are always happy to take your call at +49 (571) 887-44222.



4-conductor carrier terminal block; for DIN-rail 35 x 15 and 35 x 7.5; 2.5 mm<sup>2</sup>; Push-in CAGE CLAMP®; 2,50 mm<sup>2</sup>; gray [www.wago.com/2002-1861](http://www.wago.com/2002-1861)

## Downloads

### Documentation

#### Bid Text

2042-3869 docx - Datei	2019 Feb 20	docx 17.2 kB	Download
---------------------------	-------------	-----------------	----------

2042-3869 X81 - Datei	2019 Feb 19	xml 4.0 kB	Download
--------------------------	-------------	---------------	----------

#### Instruction Leaflet

Pluggable Relay Module / Pluggable Solid-State Relay Module	V 1.1.0	pdf 2.0 MB	Download
---	---------	---------------	----------

#### Additional Information

Disposal; Electrical and electronic equipment, Packaging	V 1.0.0	pdf 265.8 kB	Download
--	---------	-----------------	----------

## CAD/CAE-Data

### CAD data

2D/3D Models 2042-3869	URL	Download
------------------------	-----	----------

### CAE data

ZUKEN Portal 2042-3869	URL	Download
------------------------	-----	----------

## Environmental Product Compliance

### Compliance Search

Environmental Product Compliance 2042-3869 Relay module; Nominal input voltage: 24 ... 230 V AC/DC; 1 break and 1 make contact; Limiting continuous current: 5 A; Green status indicator; Module width: 20 mm	URL	Download
---	-----	----------

Subject to changes. Please also observe the further product documentation!

Data sheet | Item number: 2042-3869

[www.wago.com/2042-3869](http://www.wago.com/2042-3869)



## Installation Notes

Subject to changes. Please also observe the further product documentation!

---

WAGO Kontakttechnik GmbH & Co. KG  
Hansastr. 27  
32423 Minden  
Phone: +49571 887-0 | Fax: +49571 887-169  
Email: [info.de@wago.com](mailto:info.de@wago.com) | Web: [www.wago.com](http://www.wago.com)

Do you have any questions about our products?  
We are always happy to take your call at +49 (571) 887-44222.