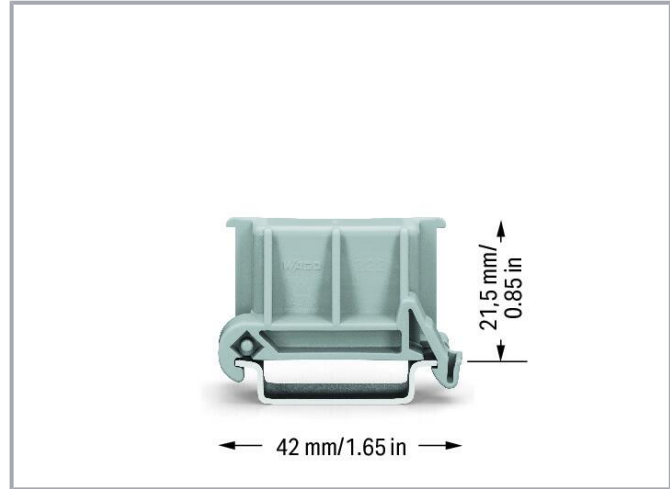


## Data sheet | Item number: 222-510

Angled DIN-rail adapter; in combination with mounting carrier; 221-500 or 222-500; for DIN-35 rail mounting; gray



[www.wago.com/222-510](http://www.wago.com/222-510)



### Data

#### Physical data

Width	18.5 mm / 0.728 inch
Height	42 mm / 1.654 inch
Depth from upper edge of DIN-rail	21.5 mm / 0.846 inch

#### Mechanical data

Mounting type	DIN-35 rail
Suitable	in combination with a mounting carrier (221-500 or 222-500)

#### Material data

Color	gray
Fire load	0.118 MJ
Weight	4.4 g

Subject to changes. Please also observe the further product documentation!

WAGO Kontakttechnik GmbH & Co. KG  
Hansastr. 27  
32423 Minden  
Phone: +49571 887-0 | Fax: +49571 887-169  
Email: [info.de@wago.com](mailto:info.de@wago.com) | Web: [www.wago.com](http://www.wago.com)

Do you have any questions about our products?  
We are always happy to take your call at +49 (571) 887-44222.

## Commercial data

Product Group	7 (Push Wire Conn.)
PU (SPU)	50 (10) Stück
Packaging type	box
Country of origin	CN
GTIN	4045454714802
Customs tariff number	39269097900

## Optional accessories

### Mounting adapter

#### Mounting accessories



**Item no.: 222-500**

Mounting carrier; 222 Series; for DIN-35 rail mounting/screw mounting; orange

[www.wago.com/222-500](http://www.wago.com/222-500)



**Item no.: 221-500**

Mounting carrier; 221 Series - 4 mm<sup>2</sup>; for DIN-35 rail mounting/screw mounting; orange

[www.wago.com/221-500](http://www.wago.com/221-500)

## Downloads

### Documentation

#### Bid Text

222-510 X81 - Datei	2019 Feb 19	xml 2.8 kB	Download
222-510 doc - Datei	2017 May 19	doc 24.1 kB	Download
Additional Information Technical explanations	2019 Apr 3	pdf 2.2 MB	Download

## CAD/CAE-Data

### CAD data

2D/3D Models 222-510	URL	Download
----------------------	-----	----------

### CAE data

EPLAN Data Portal 222-510

Subject to changes. Please also observe the further product documentation!

WAGO Kontakttechnik GmbH & Co. KG  
 Hansastr. 27  
 32423 Minden  
 Phone: +49571 887-0 | Fax: +49571 887-169  
 Email: [info.de@wago.com](mailto:info.de@wago.com) | Web: [www.wago.com](http://www.wago.com)

Do you have any questions about our products?  
 We are always happy to take your call at +49 (571) 887-44222.

	URL	Download
WSCAD Universe 222-510	<a href="#">URL</a>	<a href="#">Download</a>
ZUKEN Portal 222-510	<a href="#">URL</a>	<a href="#">Download</a>

## Environmental Product Compliance

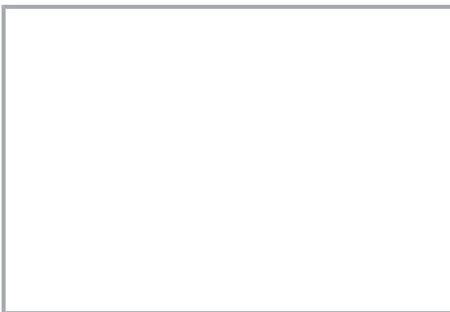
### Compliance Search

Environmental Product Compliance 222-510 Angled DIN-rail adapter; in combination with mounting carrier; 221-500 or 222-500; for DIN-35 rail mounting; gray	<a href="#">URL</a>	<a href="#">Download</a>
--	---------------------	--------------------------

## Installation Notes



Snapping the angled DIN-rail adapter (222-510) onto the mounting carrier.



Snapping the angled DIN-rail adapter (222-510) onto the mounting carrier.

Subject to changes. Please also observe the further product documentation!