



**PCB terminal block; operating lever; 6 mm²; Pin spacing 12.5 mm;
2-pole; CAGE CLAMP®**

Item No.: 2706-302



PCB terminal block; operating lever; 6 mm²; Pin spacing 12.5 mm; 2-pole; CAGE CLAMP®

Marking

RoHS ✓
Compliant

Business data

Supplier	WAGO
Item no.	2706-302
GTIN / EAN	4050821093442
Content	1
Order amount	65
Customer item number	

Notes

Item description: High-current terminal strips with lever-actuated CAGE CLAMP® Tool-free opening and closing – fingers open/close levers Several clamping units can be held open simultaneously – convenient for terminating multi-core cables Two solder pins per contact point for high mechanical stability 600V UL for 12.5mm pin spacing

Technical data

Miscellaneous

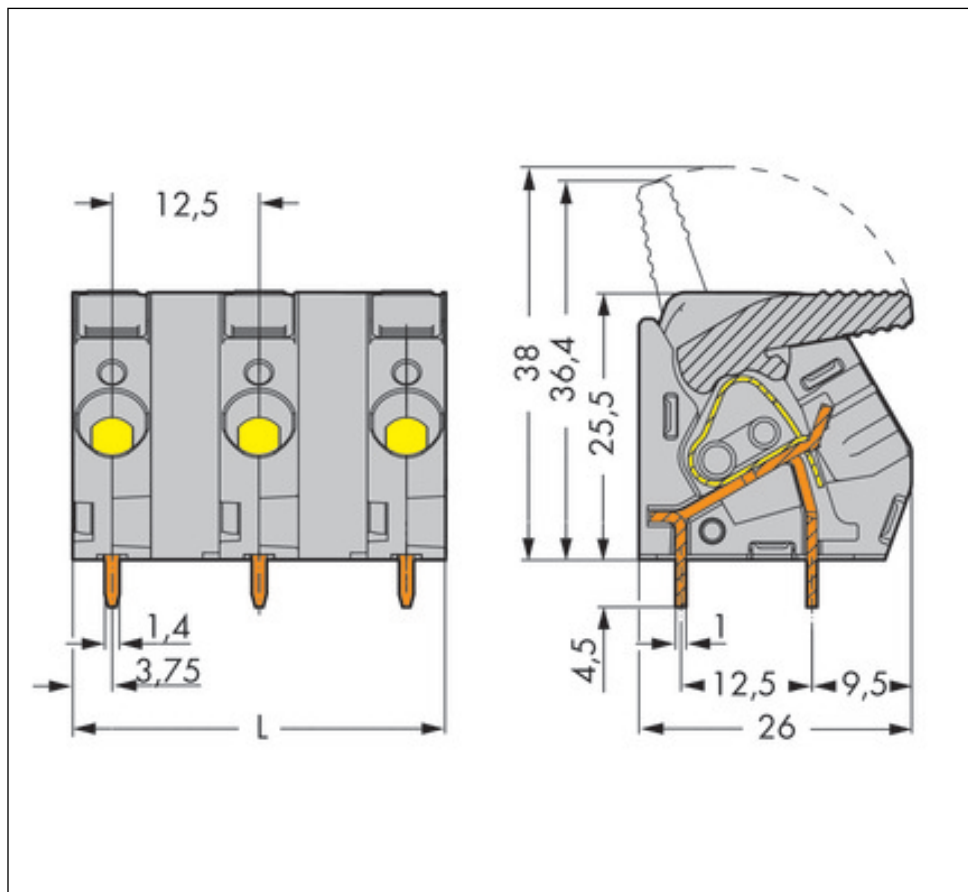
No. of poles	2
Pin spacing	12.5 mm (0.492 in)
Total number of connection points	2

Technical data	
Total number of potentials	2
Color	gray
Ratings per	IEC/EN 60664-1
Rated voltage (III / 3) [V]	1000 [V]
Rated impulse voltage (III / 3) [kV]	8 [kV]
Pollution degree (1)	2
Rated voltage (III/2) [V]	1000 [V]
Rated impulse voltage (III / 2) [kV]	8 [kV]
Rated voltage (II / 2) [V]	1000 [V]
Rated impulse voltage (II / 2) [kV]	8 [kV]
Rated current [A]	41 [A]
Legend for ratings	(III / 2) Overvoltage category III /
Number of connection objects	1
Number of levels	1
Pull-in time	0.0
Connection technology	CAGE CLAMP®
Number of connection points connector	1
Actuation type	Operating lever
Solid conductor	0.5 ... 6 mm ² / 20 ... 10 AWG
Fine-stranded conductor	0.5 ... 6 mm ² / 20 ... 10 AWG
Fine-stranded conductor with ferrule with plastic collar	0.5 ... 6 mm ² / ...
Fine-stranded conductor with ferrule without plastic collar	0.5 ... 6 mm ² / ...
Strip length	11 ... 12 mm / 0.43 ... 0.47 Inch
Conductor entry angle to the PCB [°]	30 [°]
Solder pin arrangement	2 in-line solder pins
Solder pin length [mm]	4.5 [mm]
Drilled hole diameter (tolerance) [mm]	1.8(+ 0.1) [mm]
Material group	I
Insulating material	Polyamide 66 (PA 66)
Flammability class per UL94	V0
Limit temperature range	-60 ... 105 °C
Clamping spring material	Chrome-nickel spring steel (CrNi)
Contact material	Electrolytic copper (Ecu)
Contact plating	tin-plated

Technical data	
<i>Fire load [MJ]</i>	<i>0.246 [MJ]</i>
<i>Weight [g]</i>	<i>12.276 [g]</i>
<i>Width</i>	<i>20 mm / 0.787 Inch</i>
<i>Height</i>	<i>30 mm / 1.181 Inch</i>
<i>Height from the surface</i>	<i>25.5 mm / 1.004 Inch</i>
<i>Depth</i>	<i>26 mm / 1.024 Inch</i>

Images & drawings





Address

WAGO Kontakttechnik GmbH & Co. KG

Hansastr. 27

32423 Minden

Telefon: 0571/887-0

Fax: 0571/887-169

<http://www.wago.com>

© WAGO Kontakttechnik GmbH & Co. KG

Technische Änderungen und Irrtümer vorbehalten.