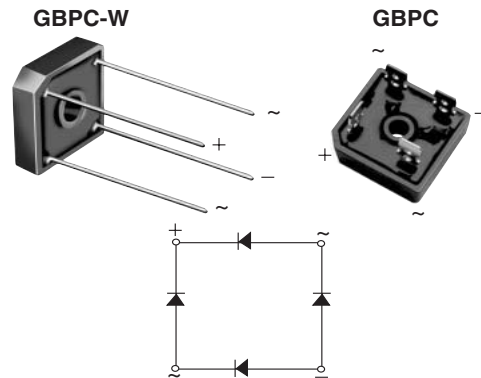


## Glass Passivated Single-Phase Bridge Rectifier

### Major Ratings and Characteristics

|             |                            |
|-------------|----------------------------|
| $I_{F(AV)}$ | 12 A, 15 A, 25 A, 35 A     |
| $V_{RRM}$   | 50 V to 1000 V             |
| $I_{FSM}$   | 200 A, 300 A, 300 A, 400 A |
| $I_R$       | 5 $\mu$ A                  |
| $V_F$       | 1.1 V                      |
| $T_j$ max.  | 150 °C                     |



### Features

- UL Recognition file number E54214
- Universal 3-way terminals: snap-on, wire wrap-around, or P.C.B. mounting
- Typical  $I_R$  less than 0.3  $\mu$ A
- High surge current capability
- Low thermal resistance
- Solder Dip 260 °C, 40 seconds



### Mechanical Data

**Case:** GBPC, GBPC-W

Epoxy meets UL-94V-0 Flammability rating

**Terminals:** Nickel plated on faston lugs or Silver plated on wire leads (E4 Suffix), solderable per J-STD-002B and JESD22-B102D. Suffix letter "W" added to indicate wire leads (e.g. GBPC12005W)

**Polarity:** As marked, Positive lead by beveled corner

**Mounting Torque:** 20 inches-lbs. max.

### Typical Applications

General purpose use in ac-to-dc bridge full wave rectification for Power Supply, Home Appliances, Office Equipment, Industrial Automation applications

### Maximum Ratings

Ratings at 25 °C ambient temperature unless otherwise specified.

| Parameter  | Symbols        | GBPC12, 15, 25, 35                                       |     |     |     |     |     |      | Units              |
|--|----------------|--|-----|-----|-----|-----|-----|------|--------------------|
|  |                | 005  | 01  | 02  | 04  | 06  | 08  | 10   |                    |
| Maximum repetitive peak reverse voltage  | $V_{RRM}$      | 50   | 100 | 200 | 400 | 600 | 800 | 1000 | V                  |
| Maximum RMS voltage  | $V_{RMS}$      | 35   | 70  | 140 | 280 | 420 | 560 | 700  | V                  |
| Maximum DC blocking voltage  | $V_{DC}$       | 50   | 100 | 200 | 400 | 600 | 800 | 1000 | V                  |
| Maximum average forward rectified output current (See Fig.1)                     | $I_{F(AV)}$    | GBPC12: 12<br>GBPC15: 15<br>GBPC25: 25<br>GBPC35: 35     |     |     |     |     |     |      | A                  |
| Peak forward surge current single sine-wave superimposed on rated load           | $I_{FSM}$      | GBPC12: 200<br>GBPC15: 300<br>GBPC25: 300<br>GBPC35: 400 |     |     |     |     |     |      | A                  |
| Rating (non-repetitive, for t greater than 1 ms and less than 8.3 ms) for fusing | $I^2t$         | GBPC12: 160<br>GBPC15: 375<br>GBPC25: 375<br>GBPC35: 660 |     |     |     |     |     |      | A <sup>2</sup> sec |
| RMS isolation voltage from case to leads   | $V_{ISO}$      | 2500   |     |     |     |     |     |      | V                  |
| Operating junction storage temperature range                                     | $T_J, T_{STG}$ | - 55 to + 150  |     |     |     |     |     |      | °C                 |

## Electrical Characteristics

Ratings at 25 °C ambient temperature unless otherwise specified.

| Parameter   | Test condition                                | Symbols  | GBPC12, 15, 25, 35 |     |    |    |    |    | Units         |    |
|---|---|--|--------------------|-----|----|----|----|----|---------------|----|
|   |   |  | 005                | 01  | 02 | 04 | 06 | 08 |               | 10 |
| Maximum instantaneous forward drop per leg                      | GBPC12<br>GBPC15<br>GBPC25<br>GBPC35          | $I_F = 6.0\text{ A}$<br>$I_F = 7.5\text{ A}$<br>$I_F = 12.5\text{ A}$<br>$I_F = 17.5\text{ A}$ | $V_F$              | 1.1 |    |    |    |    |               | V  |
| Maximum reverse DC current at rated DC blocking voltage per leg | $T_A = 25\text{ °C}$<br>$T_A = 125\text{ °C}$ | $I_R$  | 5.0<br>500         |     |    |    |    |    | $\mu\text{A}$ |    |
| Typical junction capacitance per leg                            | at 4 V, 1 MHz                                 | $C_J$  | 300                |     |    |    |    |    | pF            |    |

## Thermal Characteristics

Ratings at 25 °C ambient temperature unless otherwise specified.

| Parameter   | Symbols             | GBPC12, 15, 25, 35 |            |    |    |    |    | Units |                      |
|---|---------------------|--------------------|------------|----|----|----|----|-------|----------------------|
|   |                     | 005                | 01         | 02 | 04 | 06 | 08 |       | 10                   |
| Typical thermal resistance per leg <sup>(1)</sup> | GBPC12-25<br>GBPC35 | $R_{\theta JC}$    | 1.9<br>1.4 |    |    |    |    |       | $^{\circ}\text{C/W}$ |

Notes:

- (1) Thermal resistance from junction to case per leg
- (2) Bolt down on heatsink with silicone thermal compound between bridge and mounting surface for maximum heat transfer with #10 screw

## Ratings and Characteristics Curves

( $T_A = 25\text{ °C}$  unless otherwise noted)

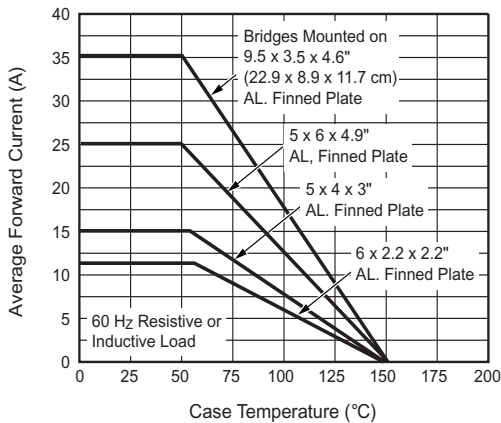


Figure 1. Maximum Output Rectified Current

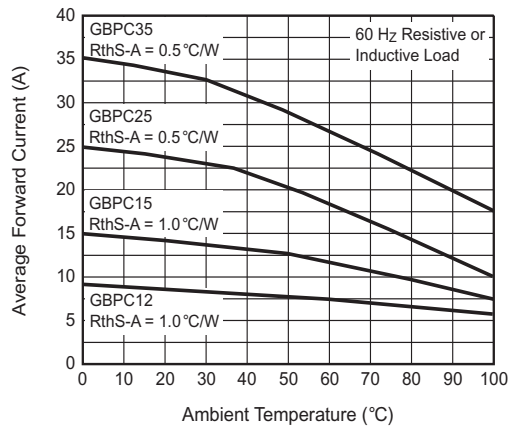


Figure 2. Maximum Output Rectified Current

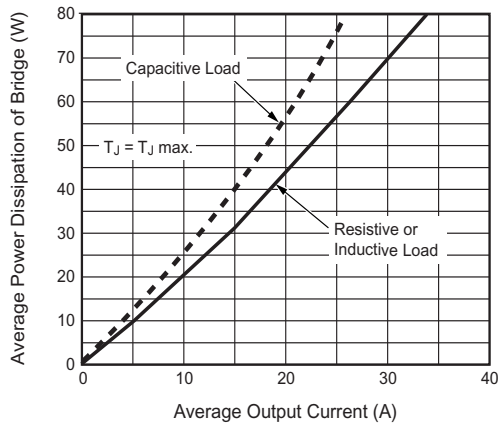


Figure 3. Maximum Power Dissipation

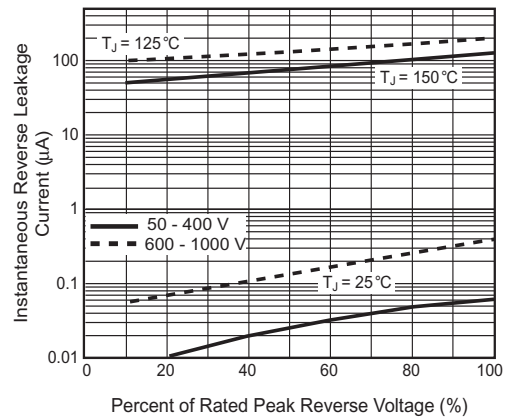


Figure 6. Typical Reverse Leakage Characteristics Per Leg

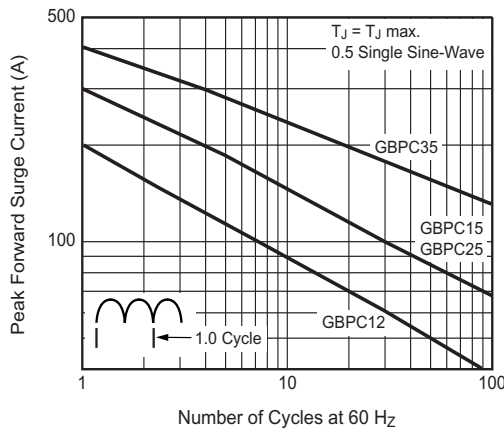


Figure 4. Maximum Non-Repetitive Peak Forward Surge Current Per Leg

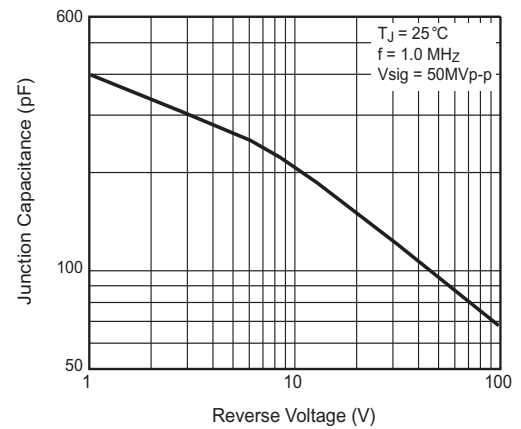


Figure 7. Typical Junction Capacitance Per Leg

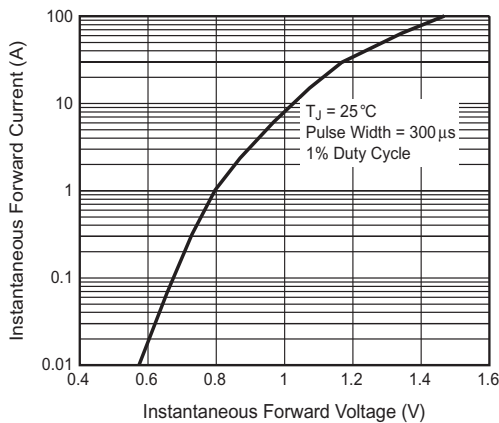


Figure 5. Typical Instantaneous Forward Characteristics Per Leg

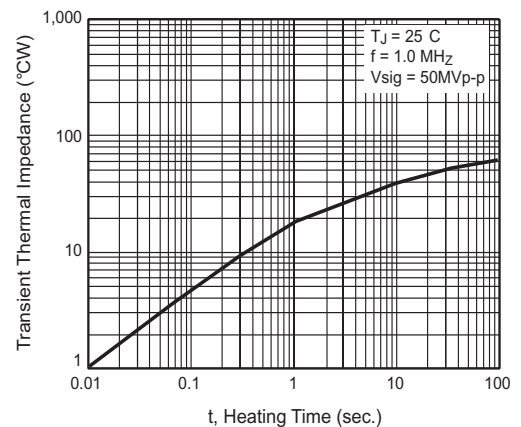


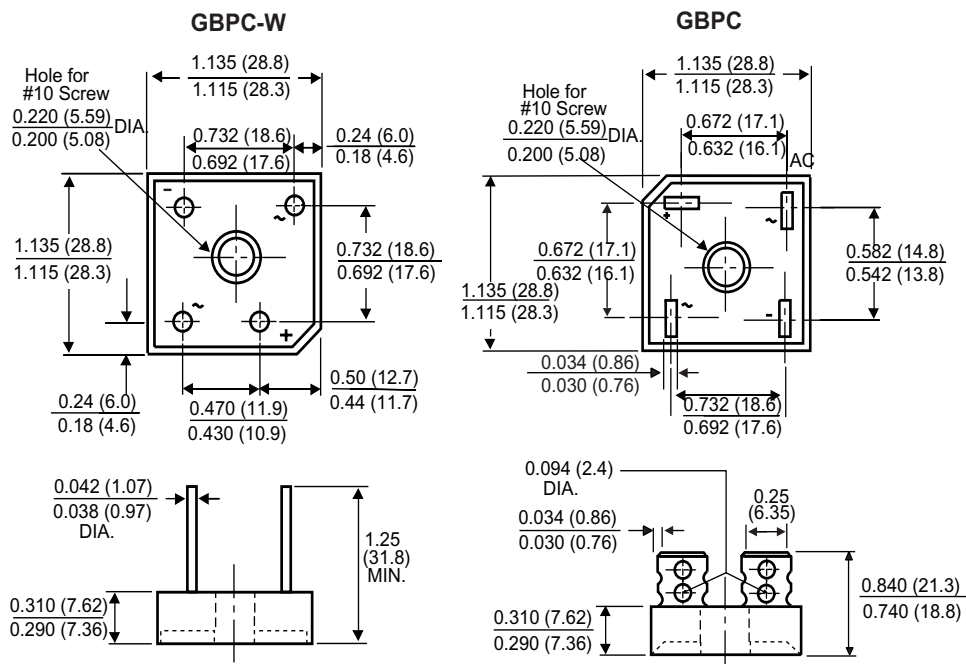
Figure 8. Typical Transient Thermal Impedance Per Leg

# GBPC12, 15, 25 and 35



Vishay General Semiconductor

## Package outline dimensions in inches (millimeters)





---

**Notice**

Specifications of the products displayed herein are subject to change without notice. Vishay Intertechnology, Inc., or anyone on its behalf, assumes no responsibility or liability for any errors or inaccuracies.

Information contained herein is intended to provide a product description only. No license, express or implied, by estoppel or otherwise, to any intellectual property rights is granted by this document. Except as provided in Vishay's terms and conditions of sale for such products, Vishay assumes no liability whatsoever, and disclaims any express or implied warranty, relating to sale and/or use of Vishay products including liability or warranties relating to fitness for a particular purpose, merchantability, or infringement of any patent, copyright, or other intellectual property right.

The products shown herein are not designed for use in medical, life-saving, or life-sustaining applications. Customers using or selling these products for use in such applications do so at their own risk and agree to fully indemnify Vishay for any damages resulting from such improper use or sale.