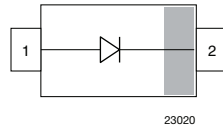
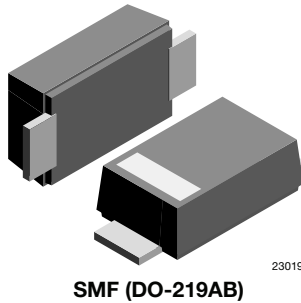


Standard Recovery Rectifier High Voltage Surface-Mount

eSMP® Series

FEATURES

- For surface mounted applications
- Low profile package
- Ideal for automated placement
- Glass passivated
- Meets MSL level 1, per J-STD-020, LF maximum peak of 260 °C
- Meets JESD 201 class 2 whisker test
- Wave and reflow solderable
- AEC-Q101 qualified
- Compatible to SOD-123W package case outline or SOD-123F and SOD-123FL
- Material categorization: for definitions of compliance please see www.vishay.com/doc?99912


RoHS
 COMPLIANT
 HALOGEN
FREE
LINKS TO ADDITIONAL RESOURCES

MECHANICAL DATA
Case: SMF (DO-219AB)

Polarity: band denotes cathode end

Weight: approx. 15 mg

Packaging codes / options:

18/10K per 13" reel (8 mm tape)

08/3K per 7" reel (8 mm tape)

Circuit configuration: single

PARTS TABLE

PART	ORDERING CODE	MARKING	REMARKS
S07B-M	S07B-M-18 or S07B-M-08	UB	Tape and reel
S07D-M	S07D-M-18 or S07D-M-08	UD	Tape and reel
S07G-M	S07G-M-18 or S07G-M-08	UG	Tape and reel
S07J-M	S07J-M-18 or S07J-M-08	UJ	Tape and reel
S07M-M	S07M-M-18 or S07M-M-08	UM	Tape and reel

ABSOLUTE MAXIMUM RATINGS ($T_{amb} = 25\text{ °C}$, unless otherwise specified)

PARAMETER	TEST CONDITION	PART	SYMBOL	VALUE	UNIT
Maximum repetitive peak reverse voltage		S07B-M	V_{RRM}	100	V
		S07D-M	V_{RRM}	200	V
		S07G-M	V_{RRM}	400	V
		S07J-M	V_{RRM}	600	V
		S07M-M	V_{RRM}	1000	V
Maximum RMS voltage		S07B-M	V_{RMS}	70	V
		S07D-M	V_{RMS}	140	V
		S07G-M	V_{RMS}	280	V
		S07J-M	V_{RMS}	420	V
		S07M-M	V_{RMS}	700	V
Maximum DC blocking voltage		S07B-M	V_{DC}	100	V
		S07D-M	V_{DC}	200	V
		S07G-M	V_{DC}	400	V
		S07J-M	V_{DC}	600	V
		S07M-M	V_{DC}	1000	V
Maximum average forward rectified current	$T_L = 110\text{ °C}$ (1)		$I_{F(AV)}$	1.5	A
	$T_A = 65\text{ °C}$ (1)		$I_{F(AV)}$	0.7	A
Peak forward surge current 8.3 ms single half sine-wave	$T_L = 25\text{ °C}$		I_{FSM}	25	A

Note

(1) Averaged over any 20 ms period



THERMAL CHARACTERISTICS (T _{amb} = 25 °C, unless otherwise specified)				
PARAMETER	TEST CONDITION	SYMBOL	VALUE	UNIT
Thermal resistance junction to ambient air ⁽¹⁾		R _{thJA}	180	K/W
Operating junction and storage temperature range		T _j , T _{stg}	-65 to +175	°C

Note

(1) Mounted on epoxy substrate with 3 mm x 3 mm Cu pads (≥ 40 μm thick)

ELECTRICAL CHARACTERISTICS (T _{amb} = 25 °C, unless otherwise specified)								
PARAMETER	TEST CONDITION	PART	SYMBOL	MIN.	TYP.	MAX.	UNIT	
Instantaneous forward voltage	I _F = 1 A ⁽¹⁾	S07B-M	V _F			1.1	V	
		S07D-M	V _F			1.1	V	
		S07G-M	V _F			1.1	V	
		S07J-M	V _F			1.1	V	
		S07M-M	V _F			1.1	V	
Maximum DC reverse current at rated DC blocking voltage	T _A = 25 °C	S07B-M	I _R			10	μA	
		S07D-M	I _R			10	μA	
		S07G-M	I _R			10	μA	
		S07J-M	I _R			10	μA	
		S07M-M	I _R			10	μA	
	T _A = 125 °C	S07B-M	I _R				50	μA
		S07D-M	I _R				50	μA
		S07G-M	I _R				50	μA
		S07J-M	I _R				50	μA
		S07M-M	I _R				50	μA
Reverse recovery time	I _F = 0.5 A, I _R = 1 A, I _{rr} = 0.25 A	S07B-M	t _{rr}			1800	ns	
		S07D-M	t _{rr}			1800	ns	
		S07G-M	t _{rr}			1800	ns	
		S07J-M	t _{rr}			1800	ns	
		S07M-M	t _{rr}			1800	ns	
Typical capacitance	4 V, 1 MHz	S07B-M	C _j		4		pF	
		S07D-M	C _j		4		pF	
		S07G-M	C _j		4		pF	
		S07J-M	C _j		4		pF	
		S07M-M	C _j		4		pF	

Note

(1) Pulse test: 300 μs pulse width, 1 % duty cycle

TYPICAL CHARACTERISTICS ($T_{amb} = 25\text{ }^{\circ}\text{C}$, unless otherwise specified)

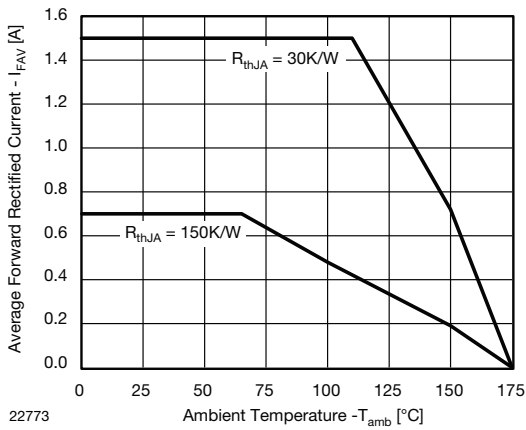


Fig. 1 - Forward Current Derating Curve

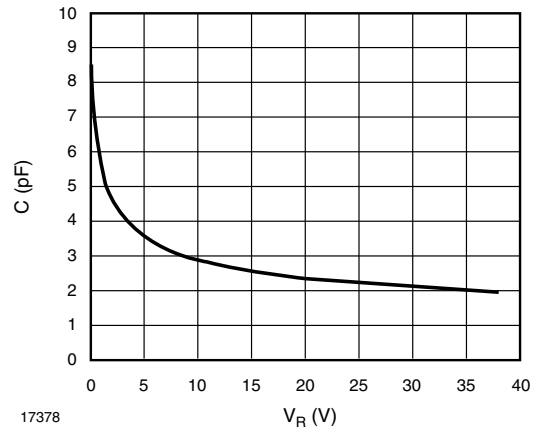


Fig. 4 - Capacitance vs. Reverse Voltage

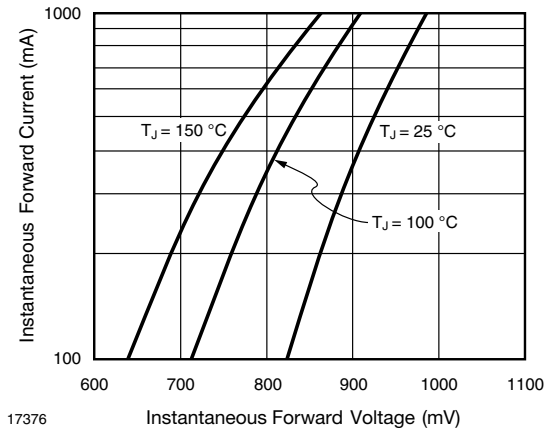


Fig. 2 - Typical Instantaneous Forward Characteristics

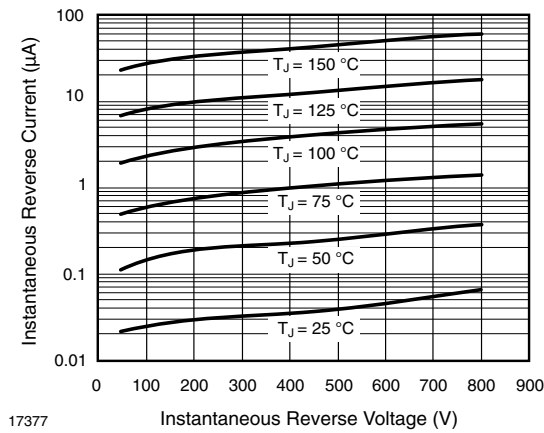
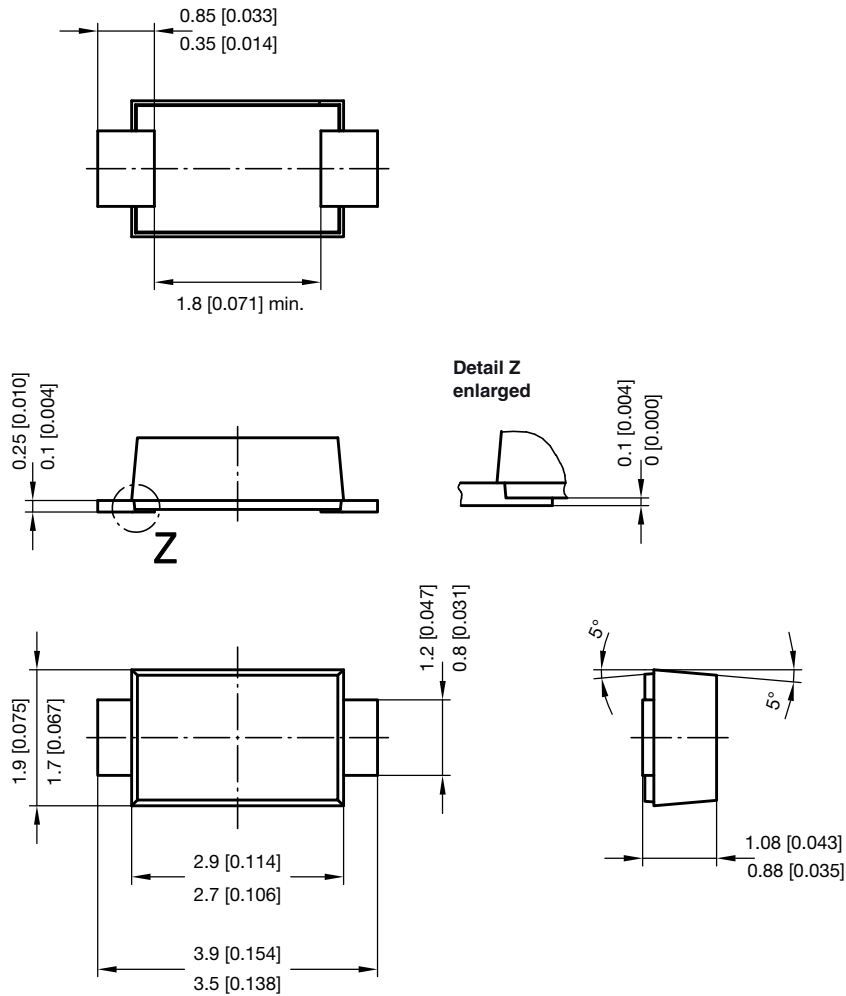


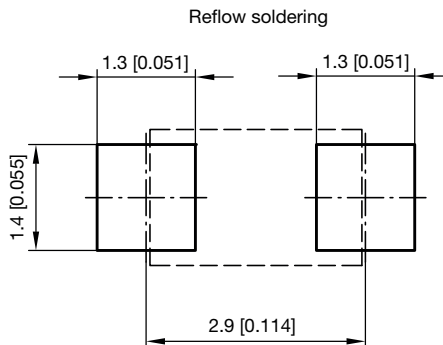
Fig. 3 - Typical Instantaneous Reverse Characteristics



PACKAGE DIMENSIONS in millimeters (inches): SMF (DO-219AB)



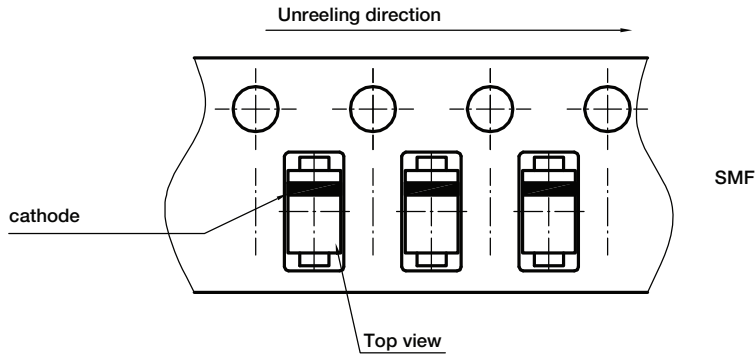
foot print recommendation:



Created - Date: 15. February 2005
 Rev. 6 - Date: 24.Feb.2021
 Document no.: S8-V-3915.01-001 (4)
 22989



ORIENTATION IN CARRIER TAPE - SMF (DO-219AB)



Document no.: S8-V-3717.02-003 (4)
Created - Date: 09. Feb. 2010
22670



Disclaimer

ALL PRODUCT, PRODUCT SPECIFICATIONS AND DATA ARE SUBJECT TO CHANGE WITHOUT NOTICE TO IMPROVE RELIABILITY, FUNCTION OR DESIGN OR OTHERWISE.

Vishay Intertechnology, Inc., its affiliates, agents, and employees, and all persons acting on its or their behalf (collectively, "Vishay"), disclaim any and all liability for any errors, inaccuracies or incompleteness contained in any datasheet or in any other disclosure relating to any product.

Vishay makes no warranty, representation or guarantee regarding the suitability of the products for any particular purpose or the continuing production of any product. To the maximum extent permitted by applicable law, Vishay disclaims (i) any and all liability arising out of the application or use of any product, (ii) any and all liability, including without limitation special, consequential or incidental damages, and (iii) any and all implied warranties, including warranties of fitness for particular purpose, non-infringement and merchantability.

Statements regarding the suitability of products for certain types of applications are based on Vishay's knowledge of typical requirements that are often placed on Vishay products in generic applications. Such statements are not binding statements about the suitability of products for a particular application. It is the customer's responsibility to validate that a particular product with the properties described in the product specification is suitable for use in a particular application. Parameters provided in datasheets and / or specifications may vary in different applications and performance may vary over time. All operating parameters, including typical parameters, must be validated for each customer application by the customer's technical experts. Product specifications do not expand or otherwise modify Vishay's terms and conditions of purchase, including but not limited to the warranty expressed therein.

Except as expressly indicated in writing, Vishay products are not designed for use in medical, life-saving, or life-sustaining applications or for any other application in which the failure of the Vishay product could result in personal injury or death. Customers using or selling Vishay products not expressly indicated for use in such applications do so at their own risk. Please contact authorized Vishay personnel to obtain written terms and conditions regarding products designed for such applications.

No license, express or implied, by estoppel or otherwise, to any intellectual property rights is granted by this document or by any conduct of Vishay. Product names and markings noted herein may be trademarks of their respective owners.