

8

7

6

5

4

3

2

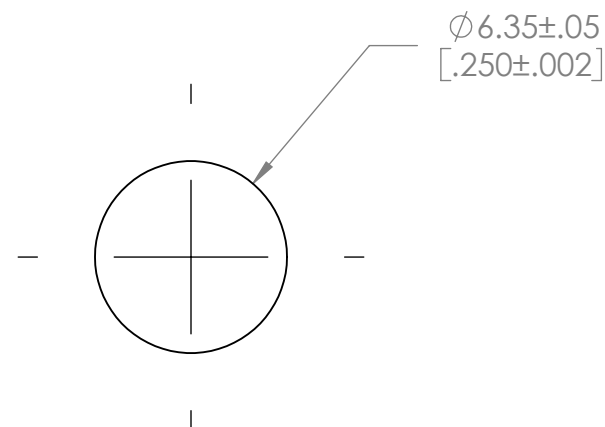
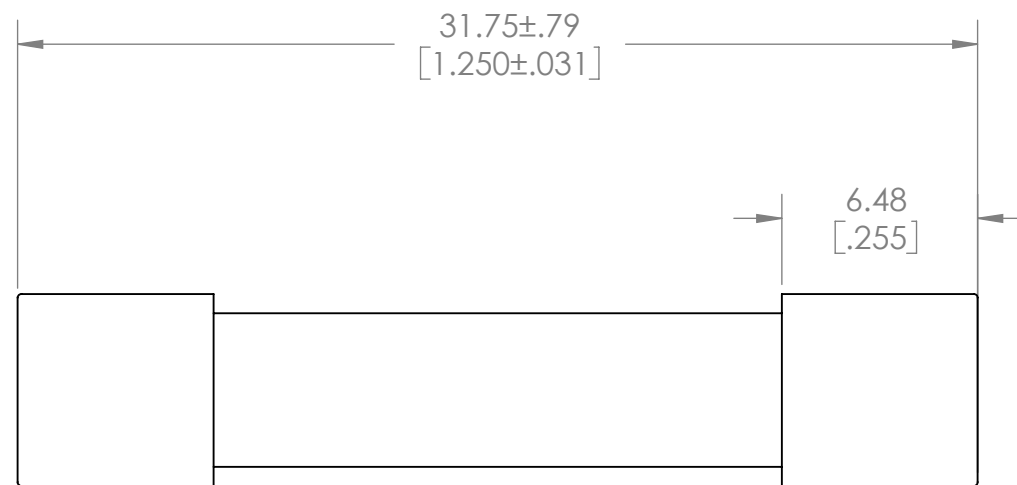
1

VICOR CONFIDENTIAL

THIS DOCUMENT AND THE DATA DISCLOSED HEREIN OR
HEREWITH IS NOT TO BE REPRODUCED, USED OR
DISCLOSED IN WHOLE OR IN PART TO ANYONE WITHOUT
THE PERMISSION OF VICOR CORP.

REVISIONS

REV	DESCRIPTION	DATE	APPROVED
1	RELEASED PER E064301	04/10/06	ECF
2	REVISED PER E071237	06/18/07	CR
3	REVISED PER E101188	09/24/10	AR



NOTES:

1. MATERIAL: CERAMIC TUBE.
2. ELECTRICAL CHARACTERISTICS:
CURRENT RATING = 12A
RATED VOLTAGE = 250VAC (MAX)
INTERRUPT RATING = 750A
(MEASURED @ 70%-80% POWER FACTOR ON AC, AT A TIME
CONSTANT DESCRIBED IN UL 198L).
3. AGENCY APPROVALS: UL RECOGNITION, GUIDE JDYX, FILE E19180.
4. FOR ADDITIONAL SPECS, DIMENSIONS & TOLERANCES
CONTACT VENDOR & CHECK DATA SHEET.
5. RoHS COMPLIANT, LEAD FREE PER CST-0001 LATEST REVISION.



DRAWN	DATE	VICOR SWD
D.P.KELLY	08/05	

MATERIAL	UNLESS OTHERWISE SPECIFIED DIMENSIONS ARE MM [INCH] TOLERANCES ARE: DECIMALS ANGLES X.XX [X.X] = ±0.01 [0.25] ±1° X.XXX [X.XX] = ±0.005 [0.127]	FUSE 12A 250VAC		
SEE NOTES		SIZE	CAGE CODE	DWG NO
FINISH	THIRD ANGLE PROJECTION	B	67131	30263
SEE NOTES	DO NOT SCALE DRAWING	SCALE 4 : 1	SHEET 1 OF 1	REV 3

8

7

6

5

4

3

2

1