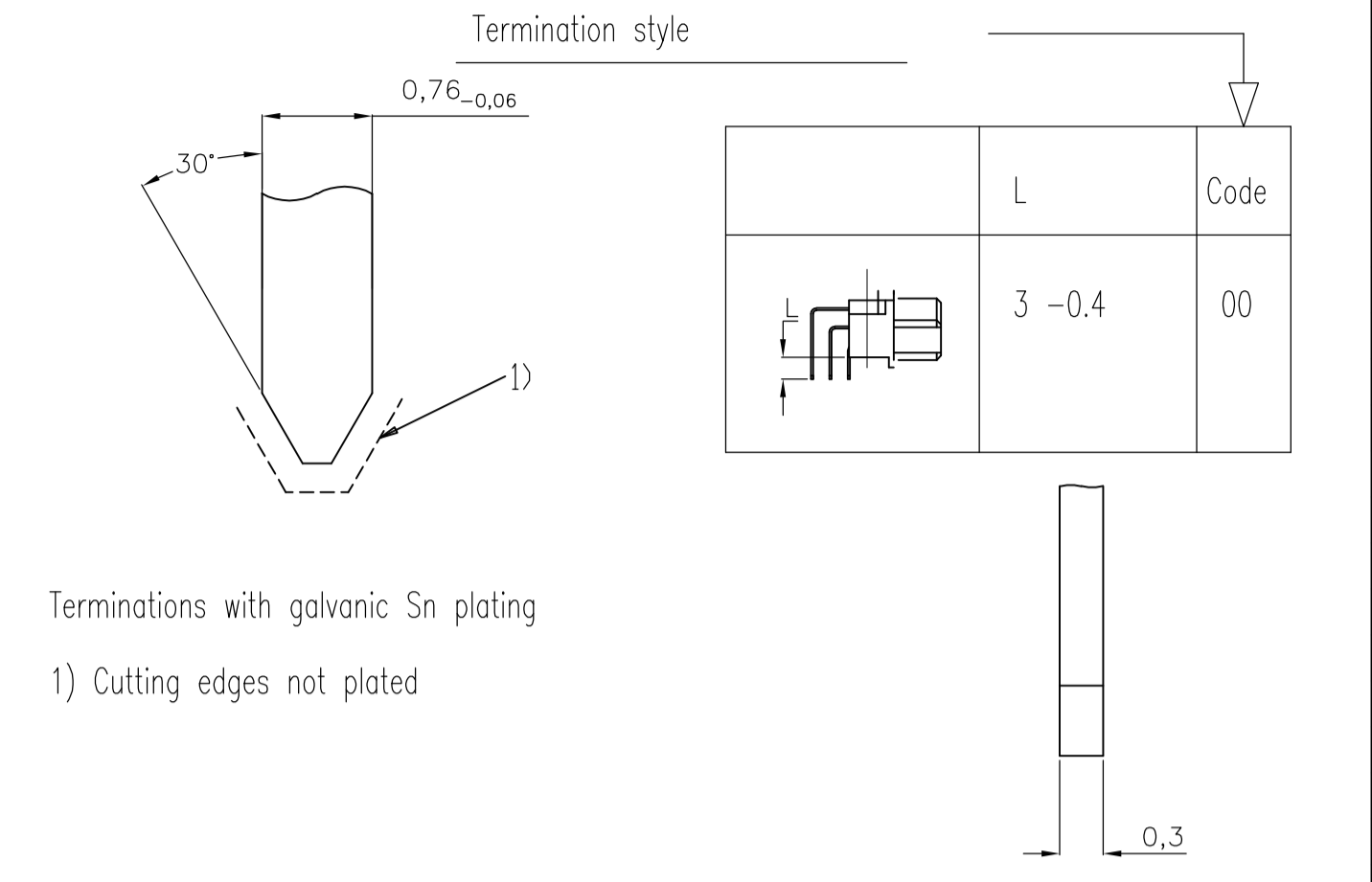
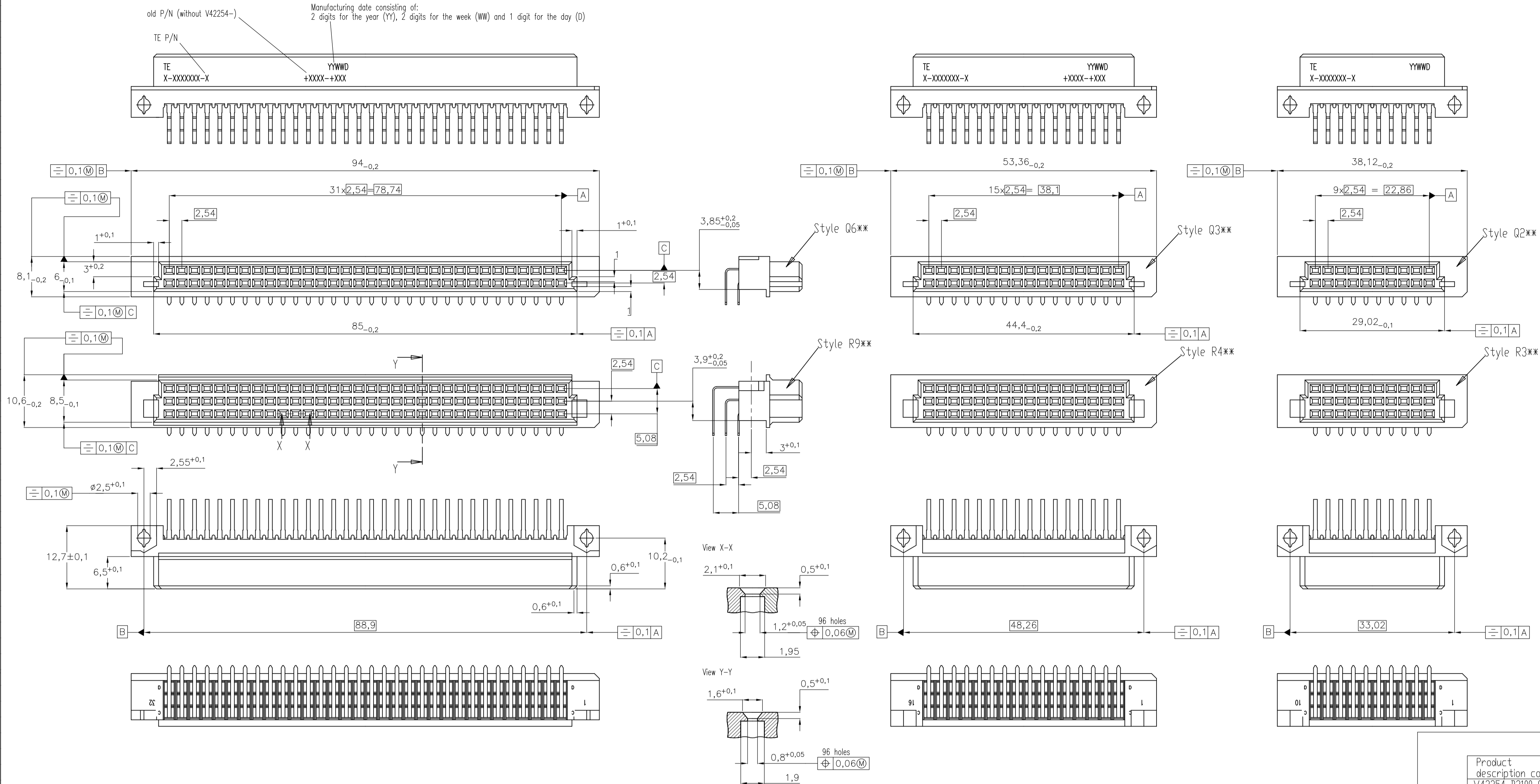


REVISONS		DATE	BY	APPROV
B3	SR10-0413-02	16-09-02	BC	
B4	WD 95/1042	11-08-03	KV	
B5	ECR-09-007144	08-09-09	AEG MKO	



V 4 2 2 5 4 - * 2 * * * - + * * *

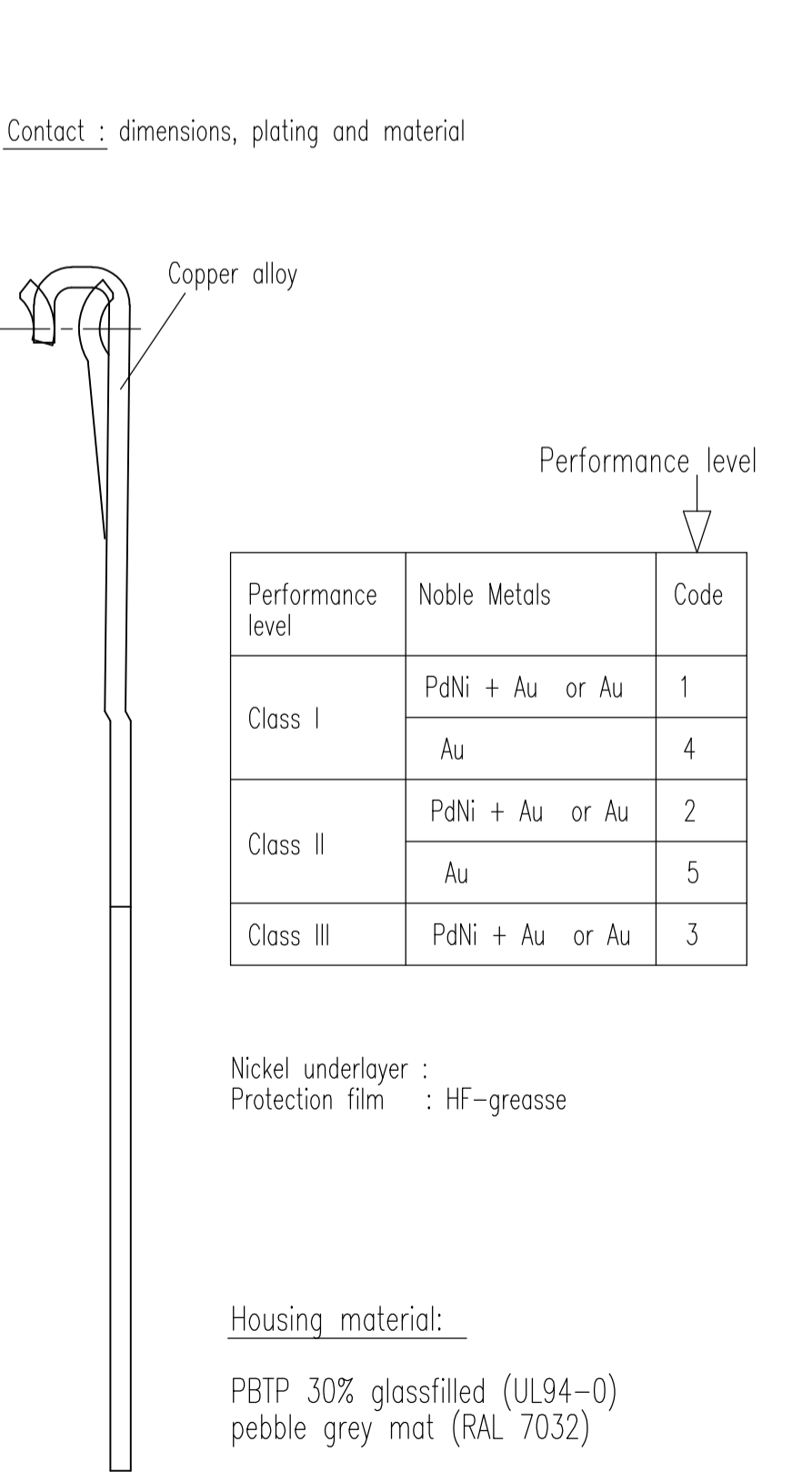
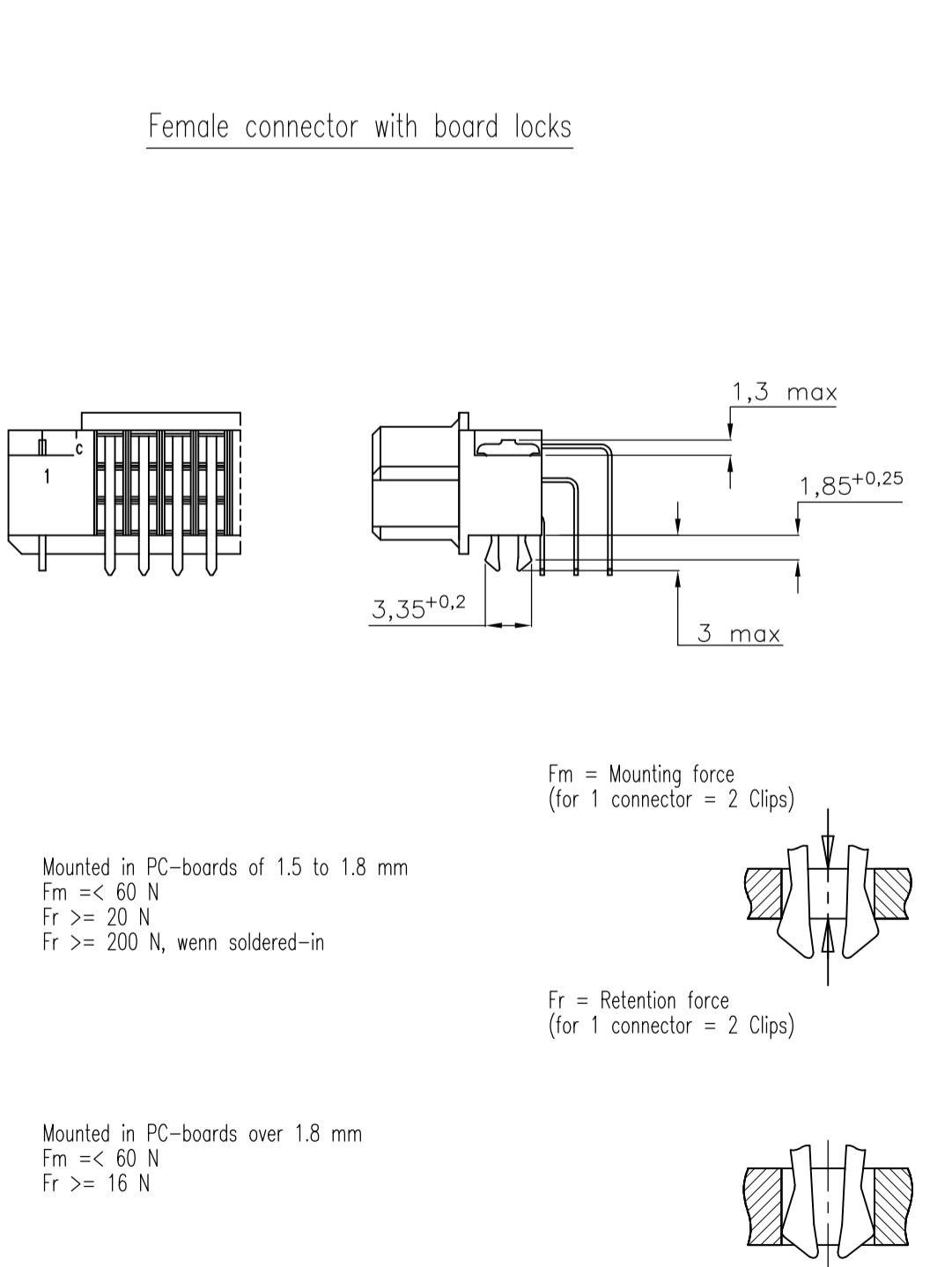
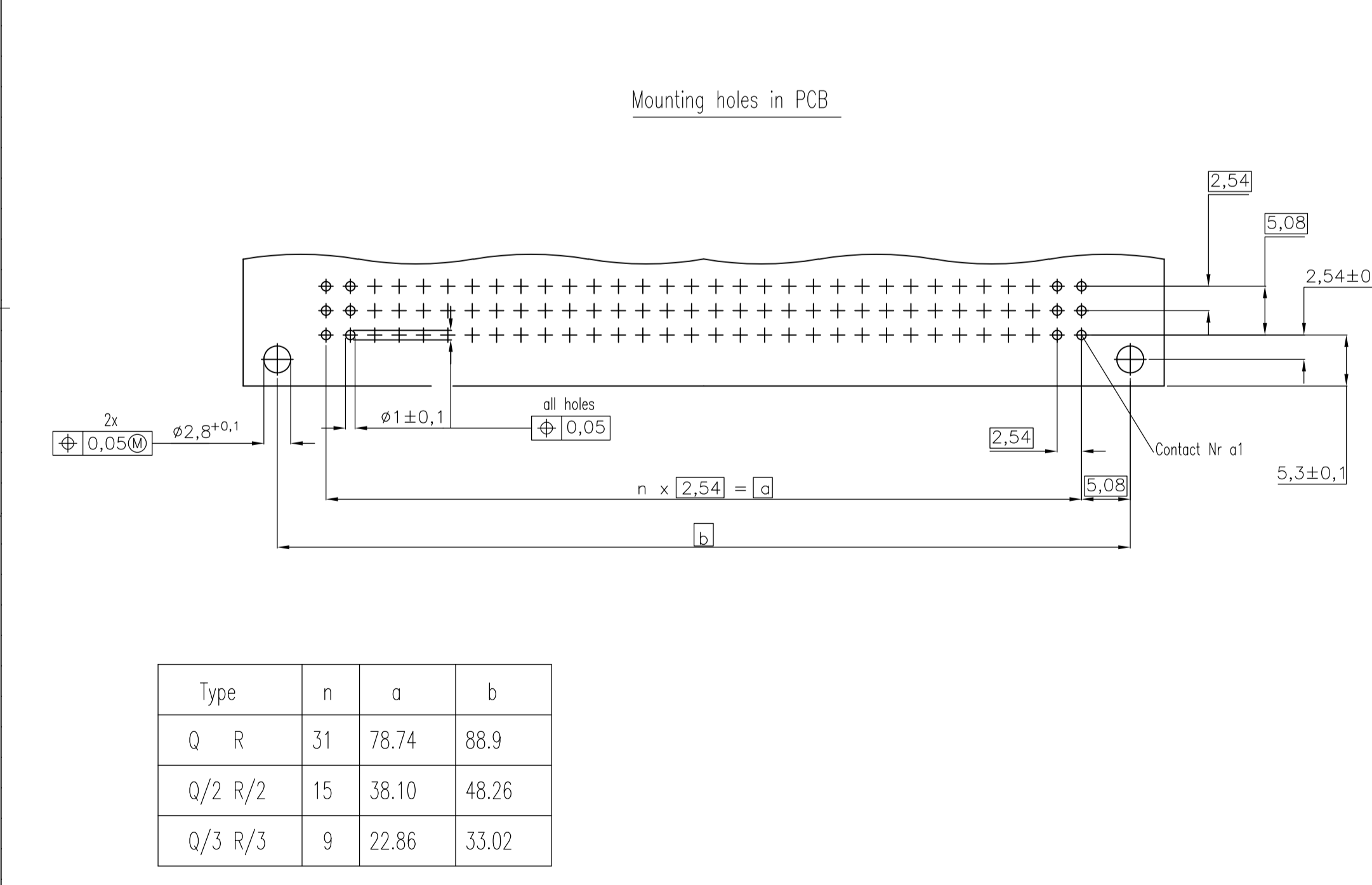
B : Standard versions
 F : Versions with flux-tight coating

Code for performance level
 Code for termination style

Partnumbers
 Style, no of contacts
 and contact assignment

4) According to BT 222 level 1.
 3) Connector with flux tight coating.
 2) Connector with positioning part on solder posts.
 1) No company name marked on the connector.

Active part numbers. Contact Tyco Electronics for other configuration availability



Product description code	TE PN	Style & Nr. of Pos	Loaded rows	Perf. level	Board Locks
V42254-B2100-Q210	0-1393656-1	Q20	every row , every pitch	1	Y
V42254-B2100-Q320	0-1393656-2	Q32	every row , every pitch	1	N
V42254-B2100-R300	0-1393656-3	R30	every row , every pitch	1	N
V42254-B2100-R303	0-1393656-4	R30	row a+c , every pitch	1	N
V42254-B2100-R480	0-1393656-5	R48	every row , every pitch	1	N
V42254-B2100-R913	0-1393656-6	R96	row a+c , every pitch	1	Y
V42254-B2100-R960	0-1393656-7	R96	every row , every pitch	1	N
V42254-B2100-R960H	0-1393656-8	R96	every row , every pitch	1	N
V42254-B2100-R961	0-1393656-9	R96	row a , every pitch	1	N
V42254-B2100-R963	1-1393656-1	R96	row a+c , every pitch	1	N
V42254-B2100-R968	1-1393656-2	R96	row a+c , every even pitch	1	N
V42254-B2200-Q200	1-1393656-4	Q20	every row , every pitch	2	N
V42254-B2200-Q310	1-1393656-5	Q32	every row , every pitch	2	Y
V42254-B2200-Q320	1-1393656-6	Q32	every row , every pitch	2	N
V42254-B2200-Q610	1-1393656-7	Q64	every row , every pitch	2	Y
V42254-B2200-Q640	1-1393656-8	Q64	every row , every pitch	2	N
V42254-B2200-R300	1-1393656-9	R30	every row , every pitch	2	N
V42254-B2200-R300N	2-1393656-0	R30	every row , every pitch	2	N
V42254-B2200-R303	2-1393656-1	R30	row a+c , every pitch	2	N
V42254-B2200-R310	2-1393656-2	R30	every row , every pitch	2	Y
V42254-B2200-R313	2-1393656-4	R30	row a+c , every pitch	2	Y
V42254-B2200-R410	2-1393656-5	R48	every row , every pitch	2	Y
V42254-B2200-R413	2-1393656-6	R48	row a+c , every pitch	2	Y
V42254-B2200-R480	2-1393656-7	R48	every row , every pitch	2	N
V42254-B2200-R483	2-1393656-8	R48	row a+c , every pitch	2	N
V42254-B2200-R910	2-1393656-9	R96	every row , every pitch	2	Y
V42254-B2200-R913P	3-1393656-0	R96	row a+c , every pitch	2	Y
V42254-B2200-R913P	3-1393656-1	R96	row a+c , every pitch	2	Y
V42254-B2200-R918	3-1393656-3	R96	row a+c , every even pitch	2	Y
V42254-B2200-R960	3-1393656-4	R96	every row , every pitch	2	N
V42254-B2200-R960N	3-1393656-5	R96	every row , every pitch	2	N
V42254-B2200-R963	3-1393656-6	R96	row a+c , every pitch	2	N
V42254-B2200-R963P	3-1393656-7	R96	row a+c , every pitch	2	N
V42254-B2200-R965	3-1393656-8	R96	every row , every even pitch	2	N
V42254-B2200-R968	3-1393656-9	R96	row a+c , every even pitch	2	N
V42254-B2200-R968P	4-1393656-0	R96	row a+c , every even pitch	2	N
V42254-F2200-R480	4-1393656-6	R48	every row , every pitch	2	N
V42254-F2200-R960	4-1393656-7	R96	every row , every pitch	2	N

THIS INFORMATION IS CONFIDENTIAL AND PROPRIETARY TO TYCO ELECTRONICS CORPORATION AND ITS WORLDWIDE WORLDWIDE SUBSIDIARIES AND AFFILIATES. IT MAY NOT BE DISCLOSED TO ANYONE, OTHER THAN TYCO ELECTRONICS CORPORATION, WITHOUT WRITTEN AUTHORIZATION FROM TYCO ELECTRONICS CORPORATION, HARRISBURG, PENNSYLVANIA, USA.

PART NO: V42254-B2***-R***-*-7626

THIS DRAWING IS A CONTROLLED DOCUMENT.		08SEP2009		Tyco Electronics		Tyco Electronics Corporation 's-Hertogenbosch, Nederland	
DIMENSIONS: mm		TOLERANCES UNLESS OTHERWISE SPECIFIED:		APPROVED: CLUVELIER 13FEB99		NAME: Receptacle Assembly Eurocard Types Q, R and short versions.	
MATERIAL: -		FINISH: -		APPLICATION SPEC: -		RESTRICTED TO: -	
WEIGHT: -		SCALE: A1		DRAWING NO: 00779		REV: 1	
CUSTOMER DRAWING		NTS		SHEET 1 of 1		REV B5	