

NOTE:

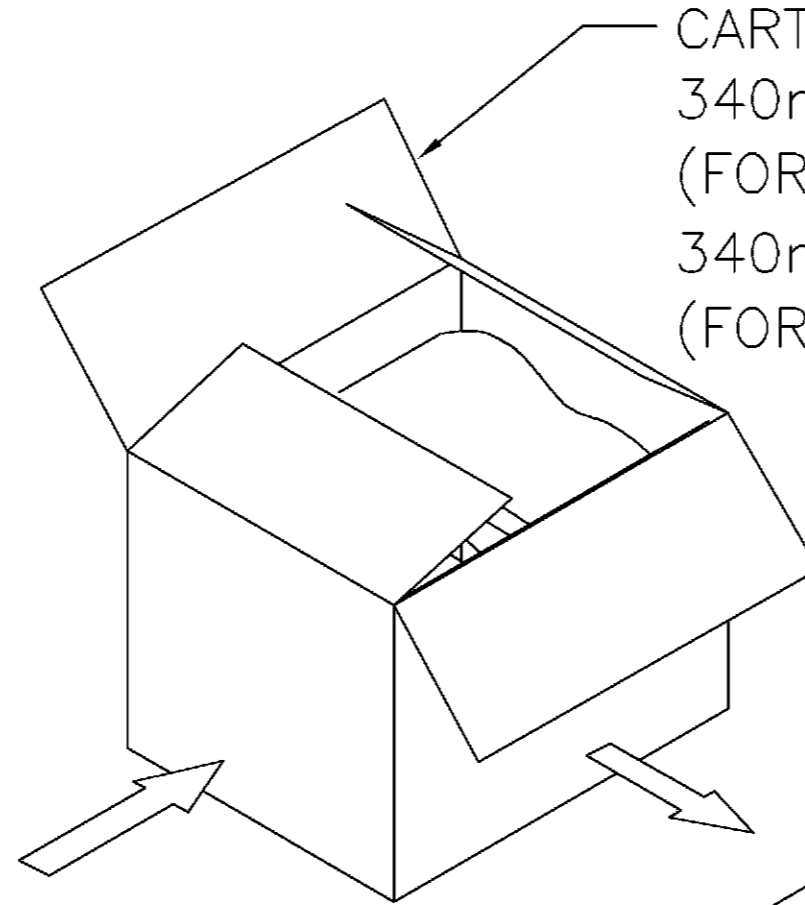
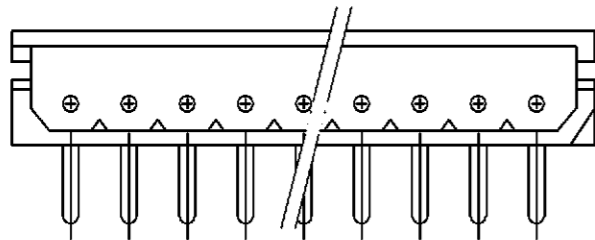
- MATERIAL :
HOUSING : THERMOPLASTIC UL94V-2, IVORY COLOR.
CONTACT : COPPER ALLOY.
- FINISH:
CONTACT : TIN PLATED ON CONTACT AREA. NICKEL UNDERPLATED OVER ALL.

38.4	35.00 ±0.20	40.0	15	1-1470225-5
35.9	32.50 ±0.20	37.5	14	1-1470225-4
33.4	30.00 ±0.20	35.0	13	1-1470225-3
30.9	27.50 ±0.20	32.5	12	1-1470225-2
28.4	25.00 ±0.20	30.0	11	1-1470225-1
25.9	22.50 ±0.15	27.5	10	1-1470225-0
23.4	20.00 ±0.15	25.0	9	0-1470225-9
20.9	17.50 ±0.15	22.5	8	0-1470225-8
18.4	15.00 ±0.15	20.0	7	0-1470225-7
15.9	12.50 ±0.10	17.5	6	0-1470225-6
13.4	10.00 ±0.10	15.0	5	0-1470225-5
10.9	7.50 ±0.10	12.5	4	0-1470225-4
8.4	5.00 ±0.10	10.0	3	0-1470225-3
5.9	2.50 ±0.10	7.5	2	0-1470225-2
C	B	A	POS.	PART NUMBER

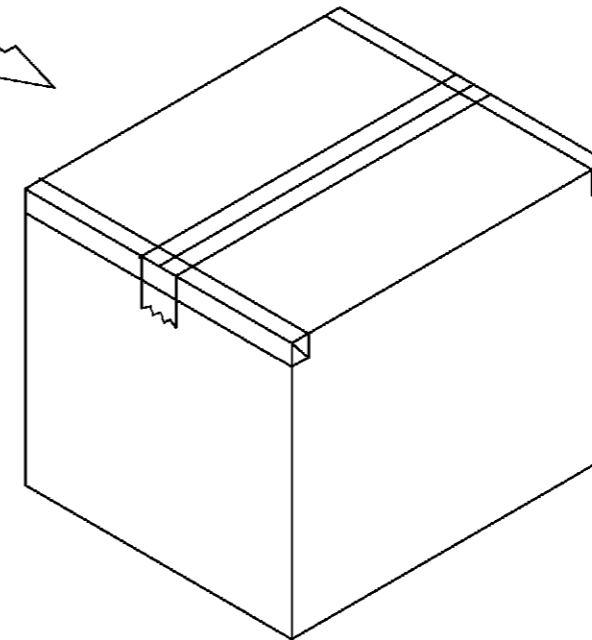
B	REVISED	FZ00-0167-02	OH/JC	30JUL 2002
A	REVISED	FZ00-0115-02	OH/JC	17MAY 2002
0	FIRST RELEASED	FZ00-0009-02	OH/JC	22JAN 2002
LTR	REVISION RECORD	ECN	DWN/CHK	DATE

DIMENSION : 0 PLC ±0.5 1 PLC ±0.2 2 PLC ±0.1 3 PLC ±0.05 ANGLES ±3	DWN	O. HU	tyco Electronics	TYCO HOLDINGS (BERMUDA) VII LTD. TAIWAN BRANCH	
	30-JUL-2002	J. CHENG			
MATERIAL SEE NOTE	APVD	J. WU	2.5mm PITCH EMIX, POST HEADER, RIGHT ANGLE.		
	30-JUL-2002				
FINISH SEE NOTE	PRODUCT SPEC	108-57175			
	QUALIFICATION TEST REPORT	501-57195	LOC DW	SIZE A ₃	DRAWING NO C-1470225
WEIGHT			SCALE --	SHEET 1 OF 2	

POLY BAG



CARTON
 340mm(L)X470mm(W)X158mm(H)
 (FOR P/N 0-1470225-2~0-1470225-5)
 340mm(L)X470mm(W)X316mm(H)
 (FOR P/N 0-1470225-6~1-1470225-5)



8,320	130	1-1470225-5
9,000	150	1-1470225-4
10,080	180	1-1470225-3
11,520	180	1-1470225-2
12,000	200	1-1470225-1
14,000	250	1-1470225-0
14,000	250	0-1470225-9
16,800	300	0-1470225-8
21,600	300	0-1470225-7
22,400	350	0-1470225-6
14,400	400	0-1470225-5
18,000	450	0-1470225-4
24,000	600	0-1470225-3
32,000	800	0-1470225-2
APQ (PCS/CARTON)	PPQ (PCS/BAG)	PART NUMBER

DIMENSION : 0 PLC ±0.5 1 PLC ±0.2 2 PLC ±0.1 3 PLC ±0.05 ANGLES ±3°	DWN	O. HU	tyco TYCO HOLDINGS (BERMUDA)	
		30-JUL-2002	VII LTD. TAIWAN BRANCH	
MATERIAL	CHK	J. CHENG	Electronics	
		30-JUL-2002	NAME	
FINISH	APVD	J. WU	2.5mm PITCH EMX, POST HEADER, RIGHT ANGLE.	
		30-JUL-2002		
SEE NOTE	PRODUCT SPEC		LOC	SIZE
			DW	A ₃
SEE NOTE	APPLICATION SPEC		DRAWING NO	REV
			C-1470225	B
	WEIGHT		SCALE	SHEET
			--	2 OF 2

	SEE SHEET 1.			
LTR	REVISION RECORD	ECN	DWN/CHK	DATE