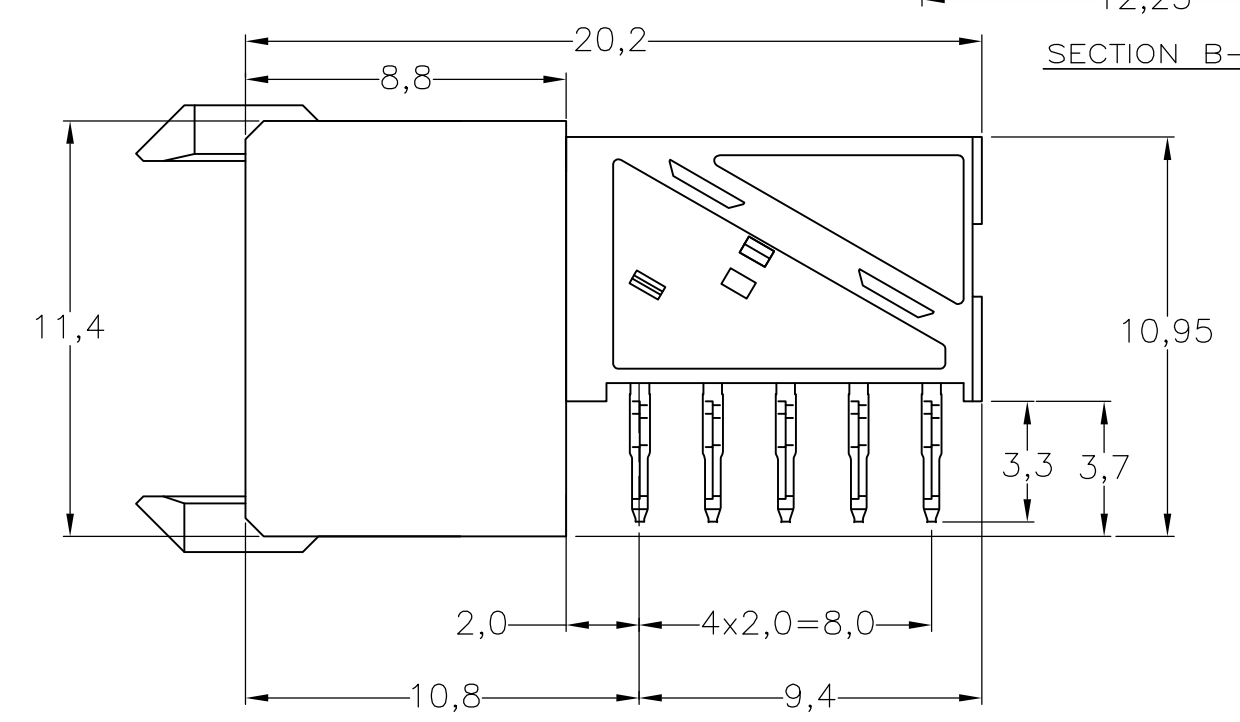
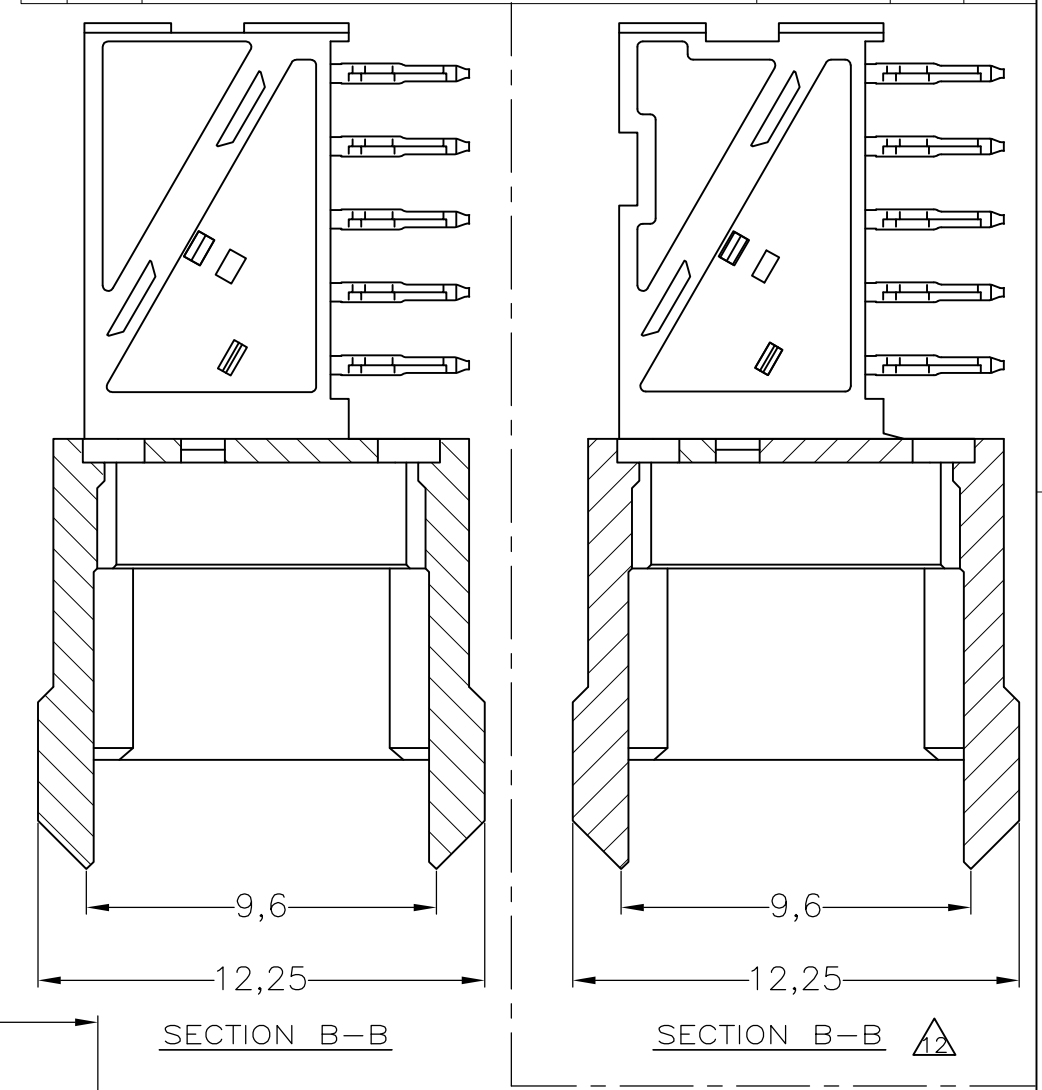
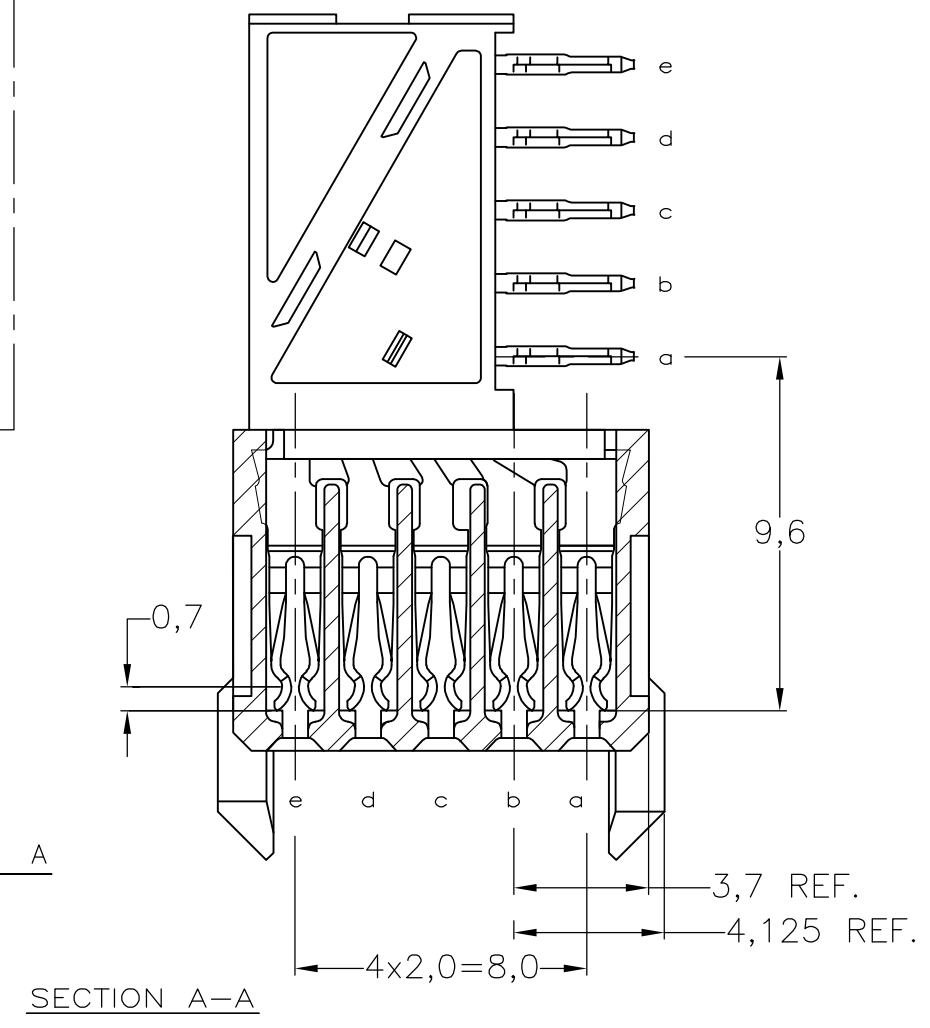
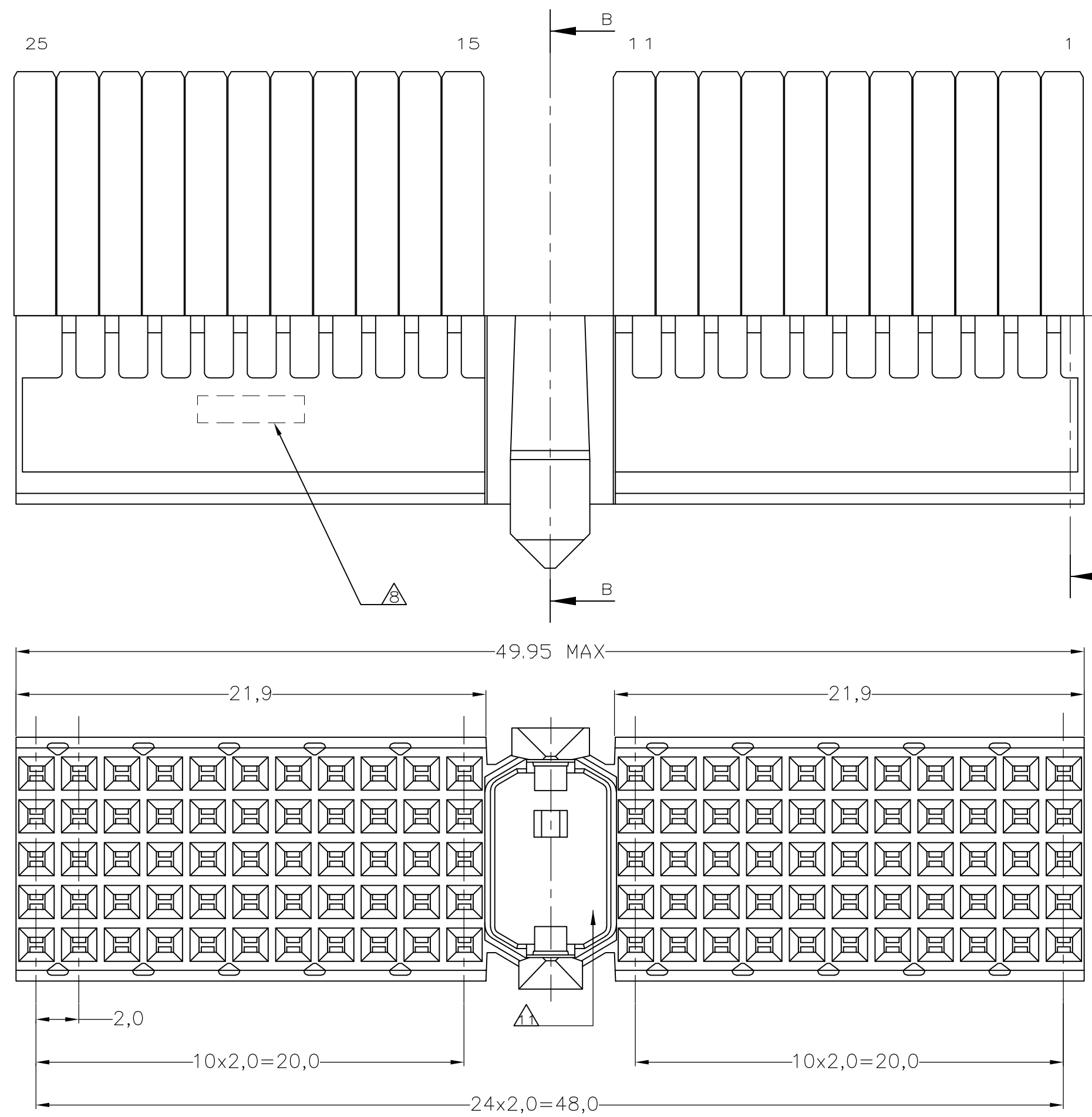
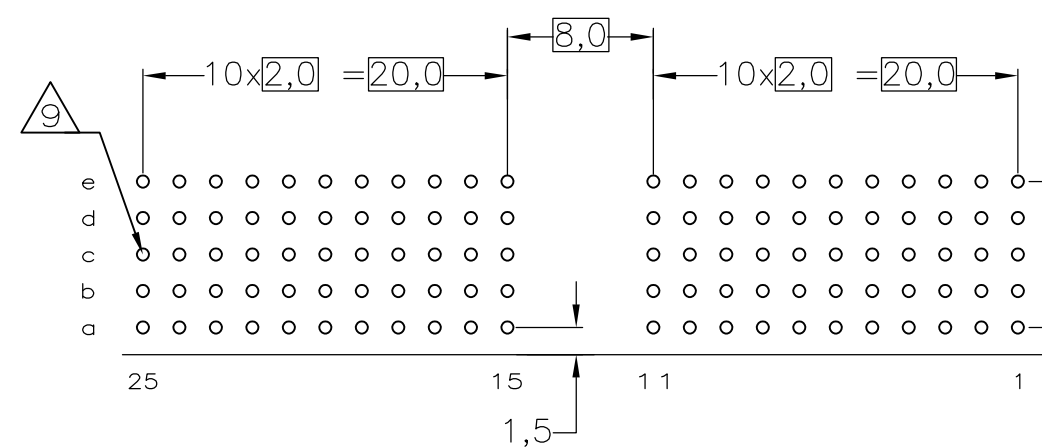


LOC		DIST		REVISIONS			
P	LTR	DESCRIPTION	DATE	DWN	APVD		
H	-						
P	N3	REVISED PER ECO-11-005033	26MAR11	RK	HMR		
P	ECO-12-003005		22FEB12	SY	MQW		
R	ECR-12-009867		6NOV12	SY	AC		



- NOTES:**
- 1 MATERIAL CONTACT; PHOSPHORBRONZE
  - 2 MATERIAL HOUSING; GLASSFILLED POLYESTER (GRAY) UL-RATING 49V0
  - 3 GENERAL PLATING SPECIFICATION: UNDERPLATING (ENTIRE CONTACT): 1,27µm NICKEL MIN. AND ACTION PIN: 0,5µm TIN-LEAD MIN. FOR PLATING OF MATING SURFACES SEE APPLICABLE SPECIFICATION REFERENCE FOR EACH DASH NUMBER.
  - 4 CONFORMS TO ALL TESTING ACCORDING IEC 61076-4-101 PERFORMANCE LEVEL 2.
  - 5 CONFORMS TO ALL TESTING ACCORDING IEC 61076-4-101 PERFORMANCE LEVEL 1.
  - 6 CONNECTOR TESTED AND QUALIFIED AGAINST TELCORDIA GR-1217-CORE QUALITY LEVEL III, CENTRAL OFFICE APPLICATIONS.
  - 7 CONNECTOR TESTED AND QUALIFIED AGAINST TELCORDIA GR-1217-CORE QUALITY LEVEL III, UNCONTROLLED ENVIRONMENT APPLICATIONS.
  - 8 CONNECTOR LUBRICATED WITH TELCORDIA GR-1217-CORE APPROVED LUBRICANT.
  - 9 CONNECTOR MARKED WITH PARTNUMBER AND DATECODE. THE MARKING CAN APPEAR ON THE FRONT SIDE OR ON THE BACK SIDE.
  - 10 PLATED-THROUGH HOLES AT 2x2mm SQUARE GRID. 110 HOLES.
  - 11 FITS WITH INTEGRATED GROUND RETURN UPSHIELD, BASIC P.N. 338107 AND INTEGRATED GROUND RETURN LOWERSHIELD, BASIC P.N. 338108
  - 12 AREA RESERVED FOR CODING KEY, BASIC P.N. 100526
  - 13 CONNECTOR ASSEMBLED WITH ALTERNATE FEMALE CONTACTS.
  - 14 0.76µm MIN GOLD PLATING AT MATING SURFACES.



SCALE 2.5:1  
 COMPONENT SIDE AS SHOWN  
 RECOMMENDED PCB-HOLE LAY-OUT

P.C.B. HOLE DIM. ACTION PIN  
 FOR DETAILS SEE  
 APPLICATION SPECIFICATION

THIS DRAWING IS A CONTROLLED DOCUMENT.		DWN	20JAN97	TE Connectivity	Z-PACK 2mm HM TYPE A 110 POS. FEMALE CONNECTOR
DIMENSIONS: mm		CHK	20JAN97		
TOLERANCES UNLESS OTHERWISE SPECIFIED:		APVD	-		
0 PLC ± - 1 PLC ± - 2 PLC ± - 3 PLC ± - 4 PLC ± - ANGLES ± -		NAME	F.V.D.KONINGSBRUGGE		
MATERIAL		PRODUCT SPEC	108-19082	SIZE	A2
FINISH		APPLICATION SPEC	114-19029	CAGE CODE	00779
-		WEIGHT	-	DRAWING NO	100147
-		CUSTOMER DRAWING		RESTRICTED TO	-
		SCALE	NTS	SHEET	1 OF 1
		REV	R		