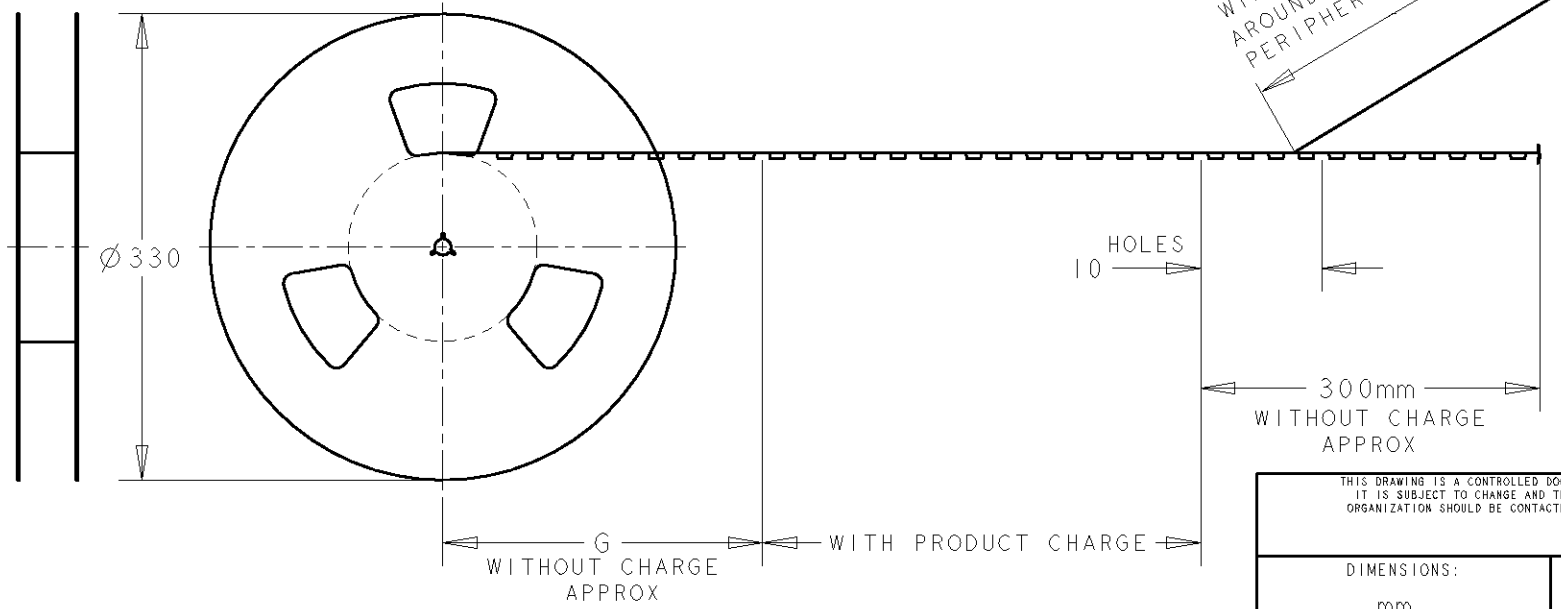
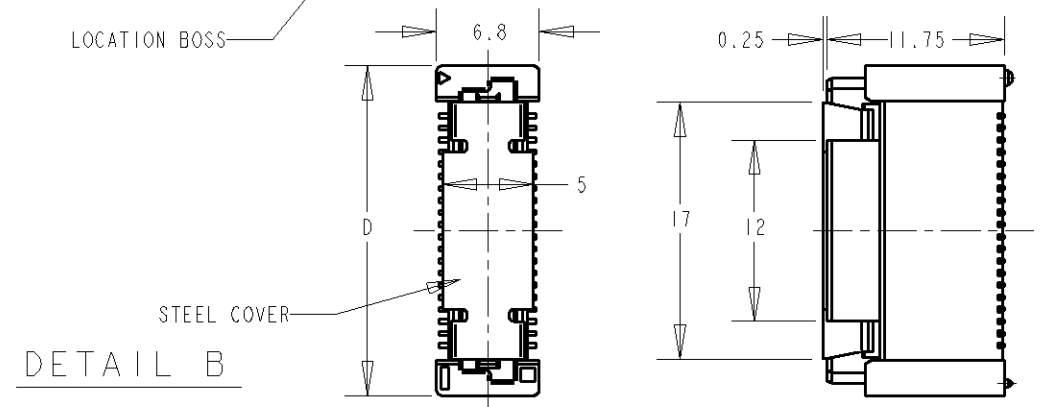
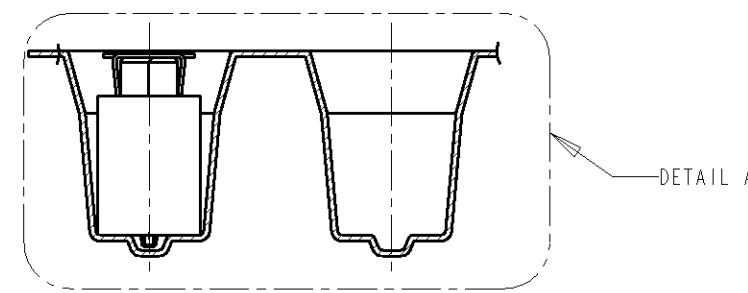
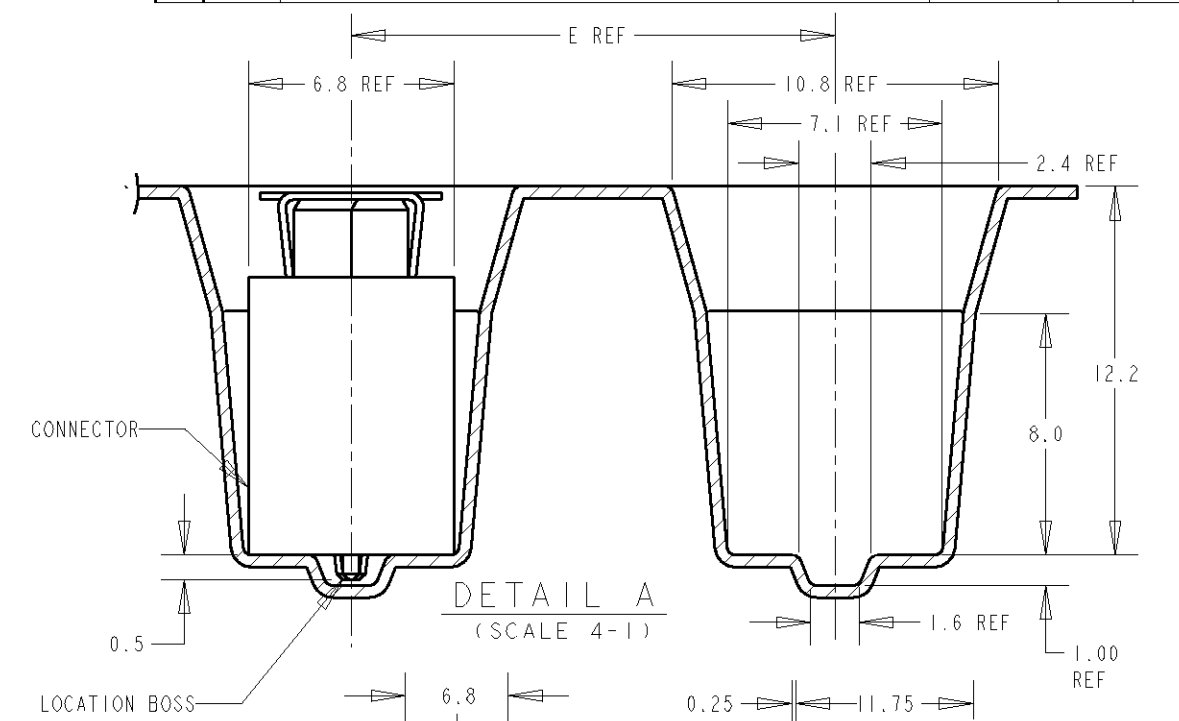
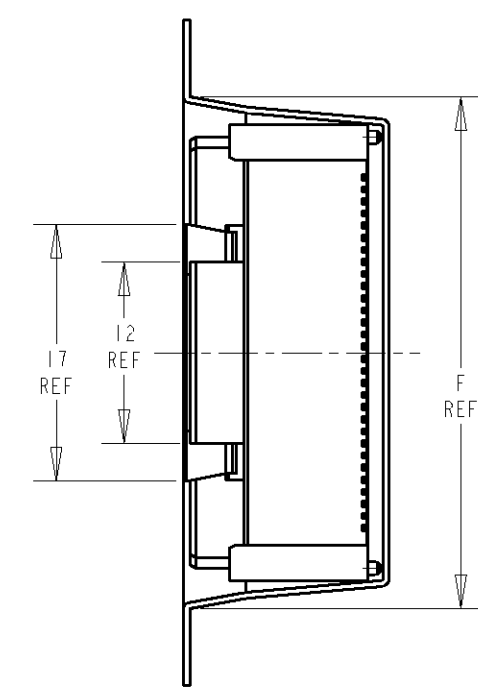
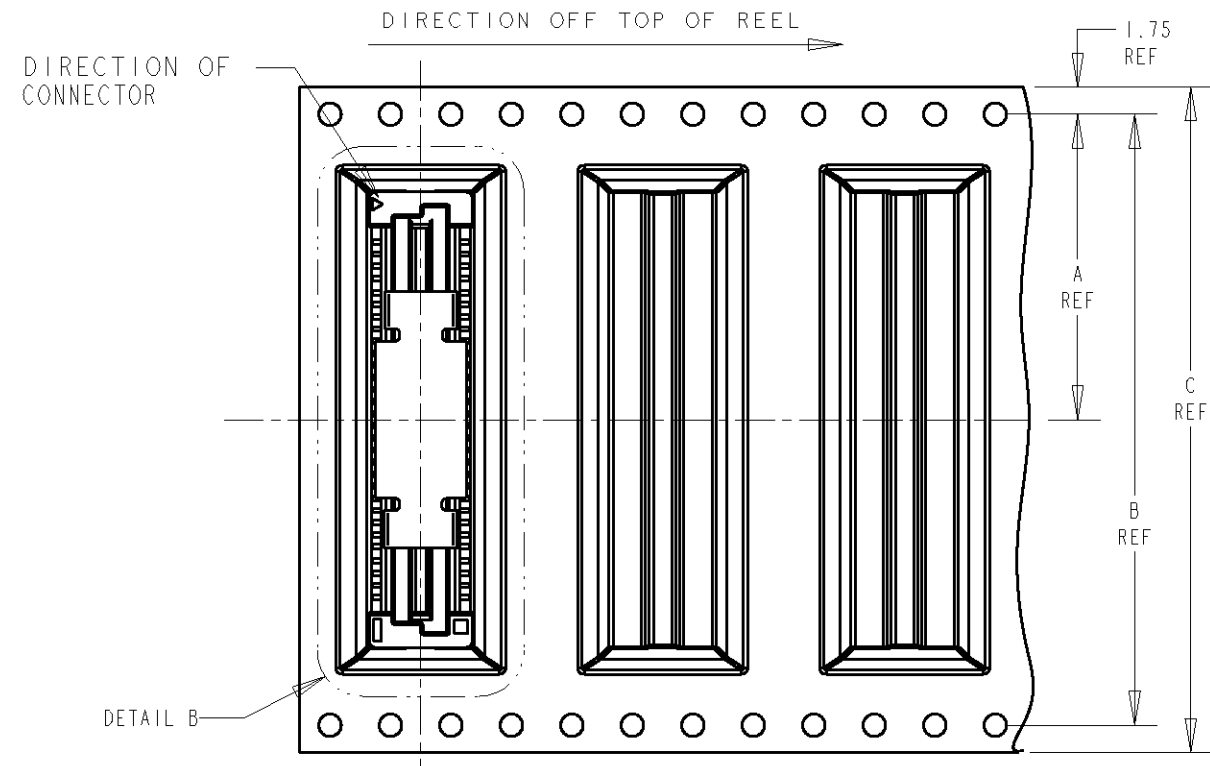


THIS DRAWING IS UNPUBLISHED. RELEASED FOR PUBLICATION .19  
 BY AMP INCORPORATED. ALL RIGHTS RESERVED.

LOC	DIST	REVISIONS			
P	LTR	DESCRIPTION	DATE	DWN	APVD
DY	-	01 ECR-05-003932	30MAY05	YKW	LSF



REMARKS	QTY	G	F	E	D	C	B	A	CONNECTOR P/N	POS	PART NO.
AVAILABLE	200	300	89.8	16	85.8	104	100.4	50.2	6-5179010-0	200	1-5084616-0
	200	300	81.8	16	77.8	104	100.4	50.2	5-5179010-9	180	0-5084616-9
	200	300	73.8	16	69.8	88	84.4	42.2	5-5179010-8	160	0-5084616-8
	200	300	65.8	16	61.8	88	84.4	42.2	5-5179010-6	140	0-5084616-6
	200	300	57.8	16	53.8	72	68.4	34.2	5-5179010-5	120	0-5084616-5
	200	300	49.8	16	45.8	72	68.4	34.2	5-5179010-4	100	0-5084616-4
	200	300	41.8	16	37.8	56	52.4	26.2	5-5179010-3	80	0-5084616-3
	200	300	33.8	16	29.8	44	40.4	20.2	5-5179010-2	60	0-5084616-2
	200	300	25.8	16	21.8	44	40.4	20.2	5-5179010-1	40	0-5084616-1

THIS DRAWING IS A CONTROLLED DOCUMENT FOR AMP INCORPORATED. IT IS SUBJECT TO CHANGE AND THE CONTROLLING ENGINEERING ORGANIZATION SHOULD BE CONTACTED FOR THE LATEST REVISION.

DWN: FLORENCE TAN (01SEP04)  
 CHK: ERIC TNG  
 APVD: SF L FONG

**tyco Electronics** Tyco Electronics (Singapore) Pte. Ltd.

NAME: RECEPTACLE ASS'Y 13H TYPE (0.5 BOSS LENGTH) FOR FH 0.8mm B-T-B CONN. ON TAPING

SIZE: A3 CAGE CODE: 00779 DRAWING NO: 5084616

SCALE: 2:1 SHEET: 1 OF 1 REV: 01

CUSTOMER DRAWING