



**Power Relay 430 (Continued)**

**Insulation**

Dielectric strength coil-contact circuit	4000 V <sub>rms</sub>
open contact circuit	1000 V <sub>rms</sub>
Clearance / creepage coil-contact circuit	≥ 8/8 mm
adjacent contact circuits	≥ 3/4 mm
Material group of insulation parts	≥ IIIa
Tracking index of relay base	PTI 380M
Insulation to IEC 60664-1	
Type of insulation coil-contact circuit	reinforced
open contact circuit	functional
adjacent contact circuits	basic
Rated insulation voltage	250 V
Pollution degree	3
Rated voltage system	230/400 V
Overvoltage category	III

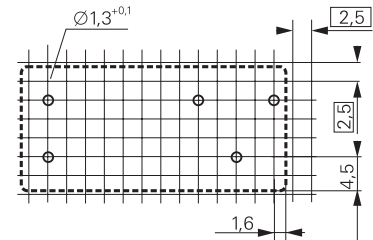
**Other data**

RoHS - Directive 2002/95/EC	compliant as per product date code 0349
Ambient temperature range	-20...+70°C
Operate- / release time	typ. 18 / 3 ms
Bounce time NO / NC contact	typ. 3 ms
Category of protection	RTI - dust protected
Mounting	pcb, mounting brackets, snap mounting, DIN rail
Resistance to soldering heat	270°C / 10 s
Relay weight	32 g
Packaging unit	50 pcs

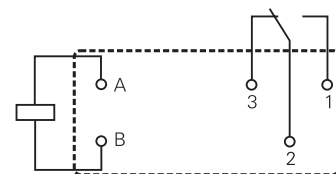
**PCB layout / terminal assignment**

Bottom view on solder pins

PCB version, 1 CO contact

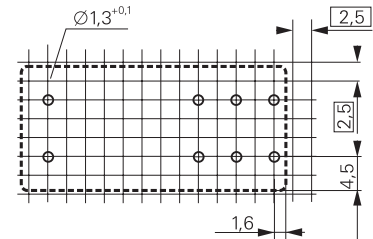


S0448-AA

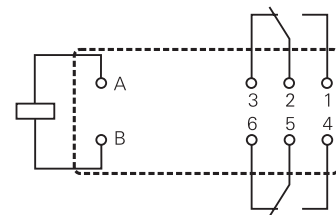


S0448-AB

PCB version, 2 CO contacts



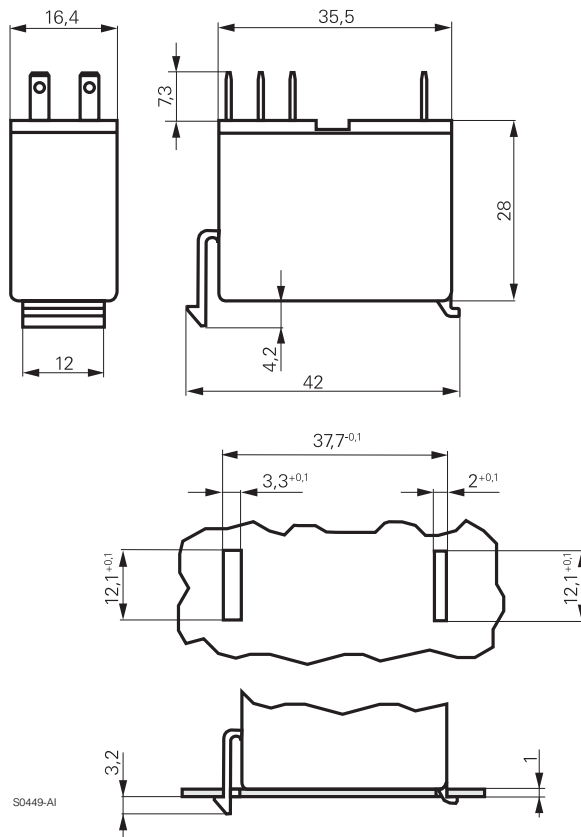
S0448-AC



S0448-AD

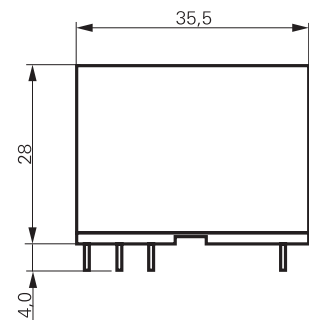
**Dimensions**

Snap mounting



S0449-AI

**Dimensions**



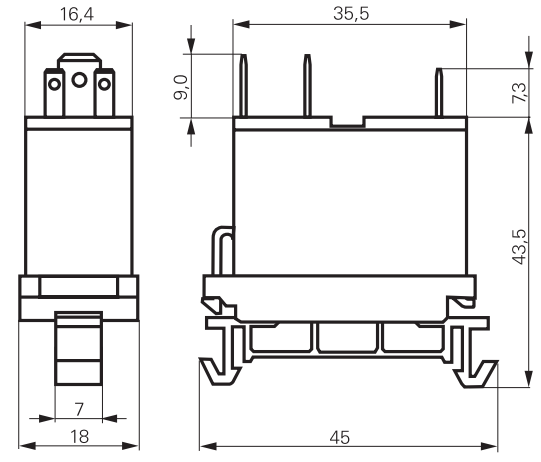
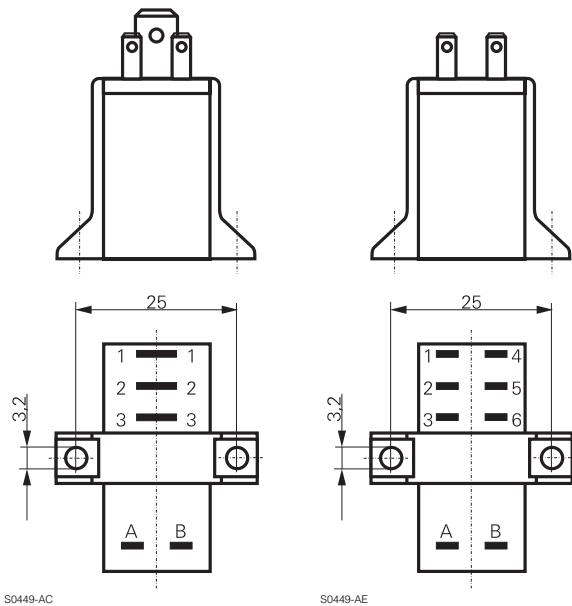
S0449-AA

**Power Relay 430** (Continued)

**Dimensions**

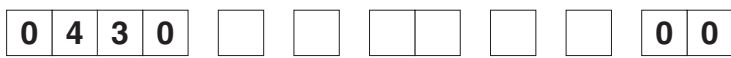
Mounting brackets

DIN-rail mount



S0449-AK

**Product key**



Type

Mounting

- 0 PCB version
- 1 mounting brackets
- 2 snap mounting
- 5 DIN-rail mounting

Version

- 6 1 pole
- 7 2 pole

Coil

Coil code: please refer to coil versions table

Contact material

- 0 AgCu 3
- 1 AgCdO

Contact configuration

- 1 1 NO contact
- 2 1 NC contact
- 3 1 CO contact
- 4 2 NO contacts
- 5 2 NC contacts
- 6 2 CO contacts

Other types on request

Product key	Version	Cont-material	Cont.configuration	Coil	Coil	Part number
0430 16 0911 00	mounting brackets	AgCdO	1 NO contact	DC-coil	12 VDC	8-1415430-1
0430 16 1011 00					24 VDC	8-1415430-3
0430 16 1013 00			1 CO contact			8-1415430-5
0430 17 0916 00			2 CO contacts		12 VDC	0-1415404-1
0430 17 1016 00				24 VDC	0-1415404-4	
0430 26 0713 00	snap mounting		1 CO contact	AC-coil	220 VAC	2-1415404-3
0430 27 0716 00	1.0mm plate		2 CO contacts			2-1415404-8