

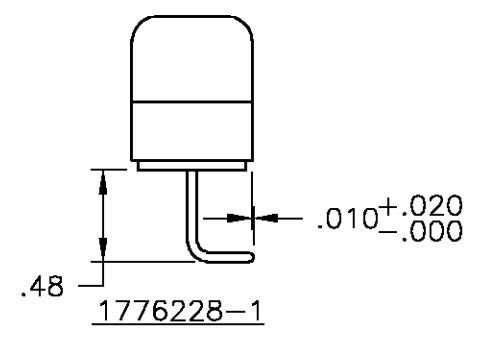
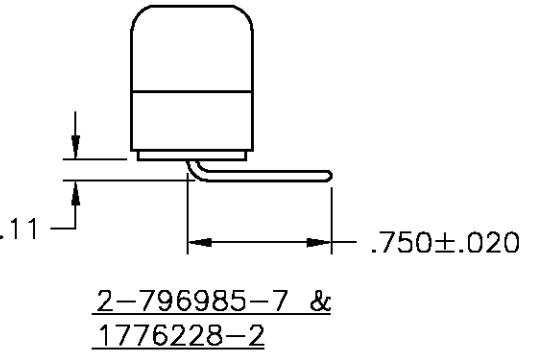
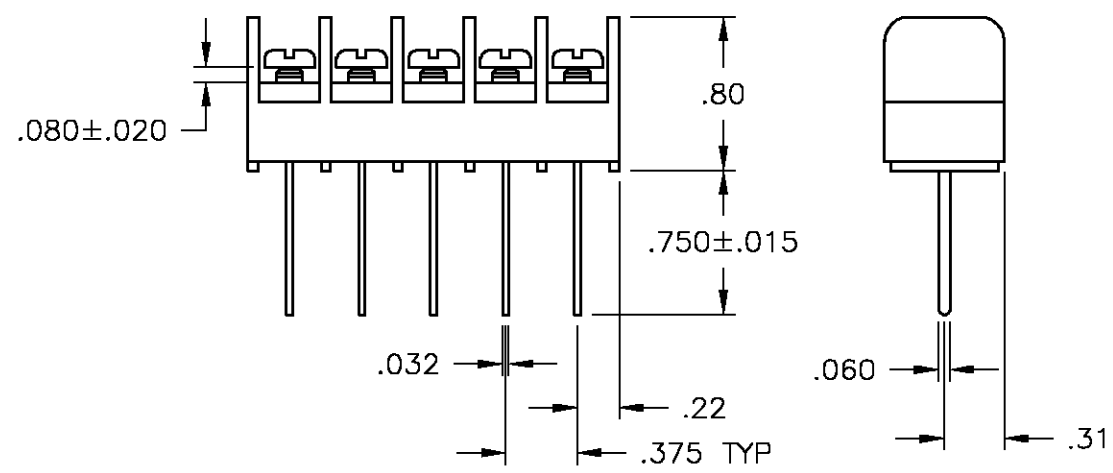
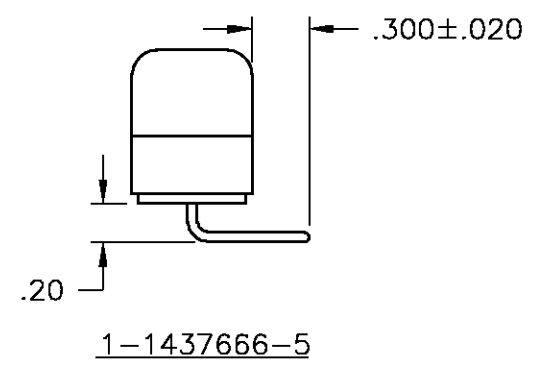
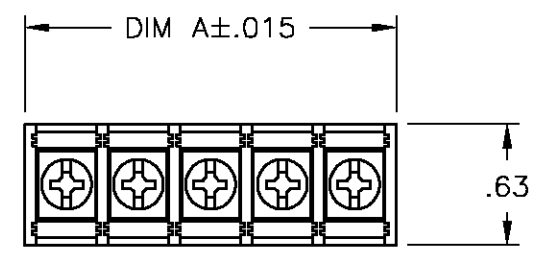
THIS DRAWING IS UNPUBLISHED. RELEASED FOR PUBLICATION
 © COPYRIGHT BY TYCO ELECTRONICS CORPORATION. ALL RIGHTS RESERVED.

LOC	DIST	REVISIONS			
P	LTR	DESCRIPTION	DATE	DWN	APVD
FT	0	B1	REVISED PER ECO-05-554	5/11/05	SS SRY

MATERIAL:
 HOUSING: THERMOPLASTIC, UL94V-0, BLACK.
 TERMINALS: BRIGHT TIN OVER COPPER ALLOY.
 SCREWS: #6-32 STEEL, ZINC PLATING W/ CLEAR CHROMATE.

ELECTRICAL:
 RATED CURRENT UL/CSA:
 CLASS C: 20A, 300V.
 CLASS D: 5A, 600V.
 WIRE RANGE: 12-22 AWG

MECHANICAL:
 RECOMMENDED TORQUE: 7 IN-LB.
 OPERATING TEMP.: 105°C MAX.



9.436	25	JC6-W107-25	5-1546703-9
9.061	24	JC6-W107-24	5-1546703-8
8.686	23	JC6-W107-23	5-1546703-7
8.311	22	JC6-W107-22	5-1546703-6
7.936	21	JC6-W107-21	5-1546703-5
7.561	20	JC6-W107-20	5-1546703-4
7.186	19	JC6-W107-19	5-1546703-3
6.811	18	JC6-W107-18	5-1546703-2
6.436	17	JC6-W107-17	5-1546703-1
6.061	16	JC6-W107-16	5-1546703-0
5.686	15	JC6-W107-15	4-1546703-9
5.311	14	JC6-W107-14	4-1546703-8
4.936	13	JC6-W107-13	4-1546703-7
4.561	12	JC6-W107-12	4-1546703-6
4.186	11	JC6-W107-11	4-1546703-5
3.811	10	JC6-W107-10	796985-4
3.436	9	JC6-W107-09	4-1546703-4
3.061	8	JC6-W107-08	4-1546703-3
2.686	7	JC6-W107-07	4-1546703-2
2.311	6	JC6-W107-06	2-796985-8
1.936	5	JC6-W107-05-100	1-1437666-5
1.936	5	JC6-W107-05	1-1437666-4
1.561	4	JC6-W107-04-202	1776228-1
1.561	4	JC6-W107-04-176	2-796985-7
1.561	4	JC6-W107-04	4-1546703-1
1.186	3	JC6-W107-03-233	1776228-2
1.186	3	JC6-W107-03	1-1437666-3
.811	2	JC6-W107-02	4-1546703-0

SEE FIGURE PRELIMINARY
 SEE FIGURE PRELIMINARY
 SEE FIGURE PRELIMINARY

DIM. A	NO. OF POS.	CATALOG NUMBER	TYCO PART NO.
--------	-------------	----------------	---------------

THIS DRAWING IS A CONTROLLED DOCUMENT.		DWN S. SCHLEGEL 5/12/03	BUCHANAN Tyco Electronics Corporation Harrisburg, Pa 17105-3608	
DIMENSIONS: INCHES		CHK S. YODER 5/27/03		
TOLERANCES UNLESS OTHERWISE SPECIFIED:		APVD S. YODER 5/27/03	NAME JC6-W107-XX ASSEMBLY	
0 PLC ± - 1 PLC ± - 2 PLC ± .01 3 PLC ± .005 4 PLC ± - ANGLES ± -		PRODUCT SPEC -	RESTRICTED TO -	
MATERIAL -		APPLICATION SPEC -	SIZE A3	CAGE CODE 00779
FINISH -		WEIGHT -	DRAWING NO C-1-1437666-3	
CUSTOMER DRAWING			SCALE 1:1	SHEET 1 OF 1
			REV B1	