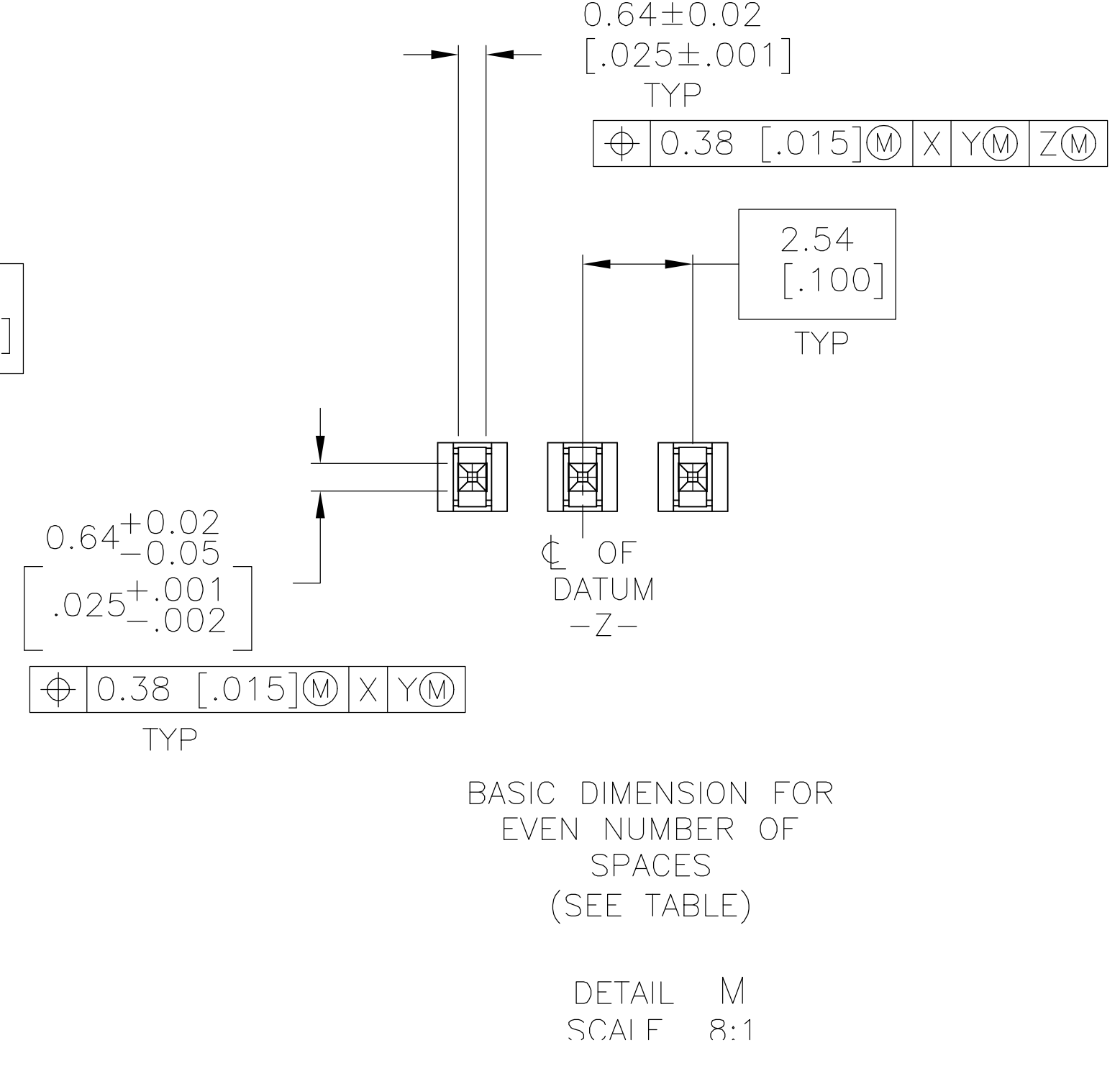
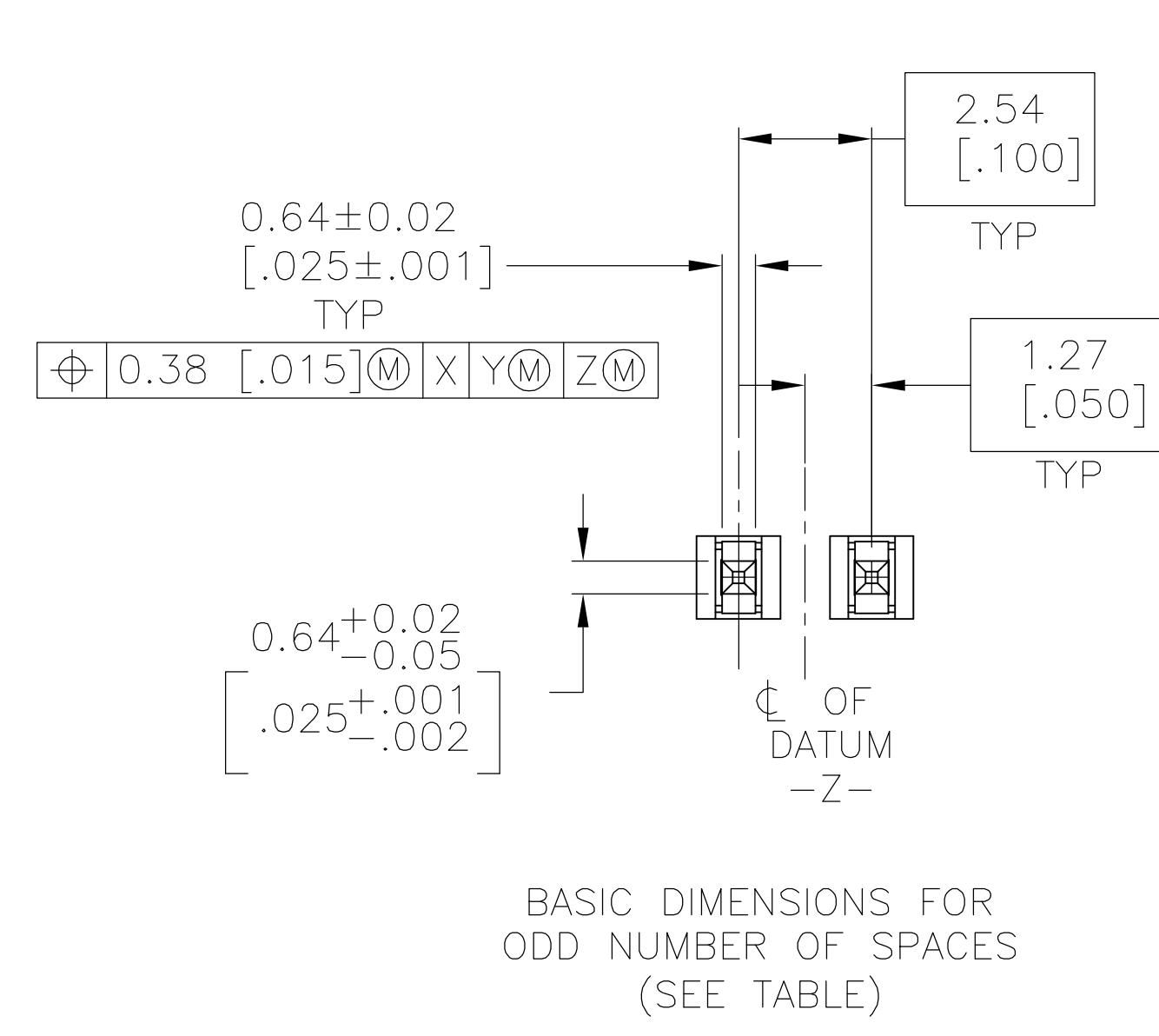
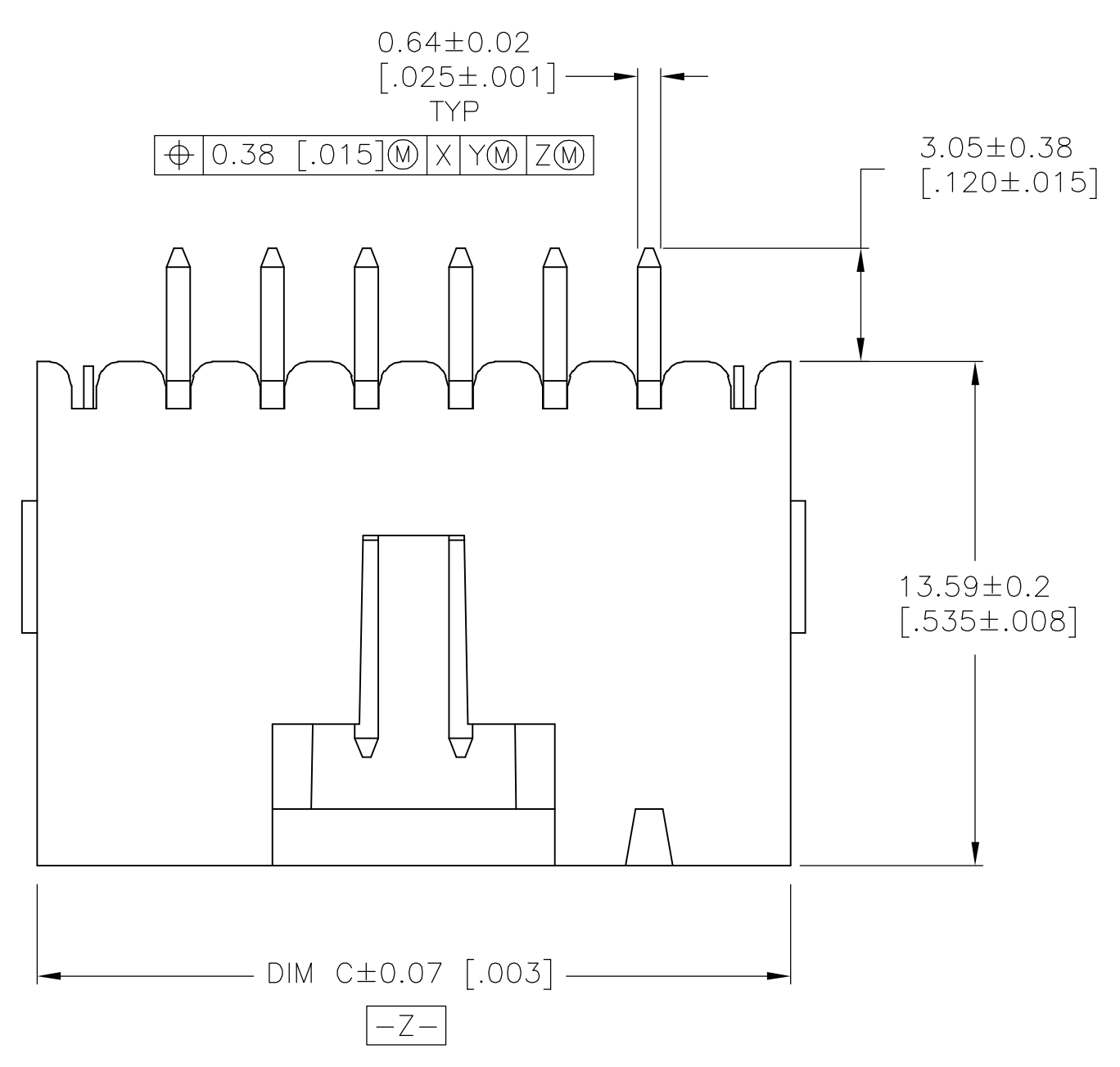
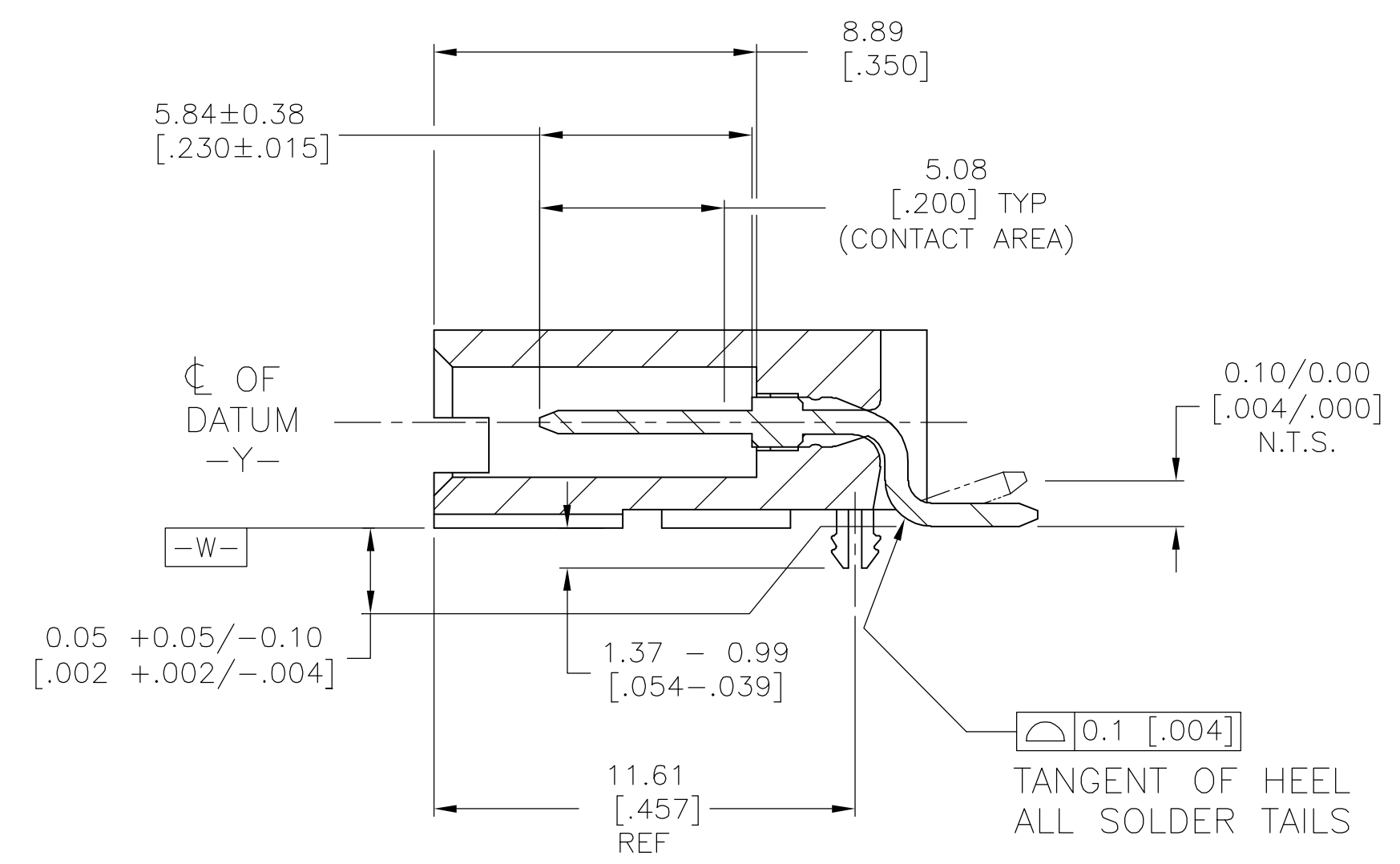
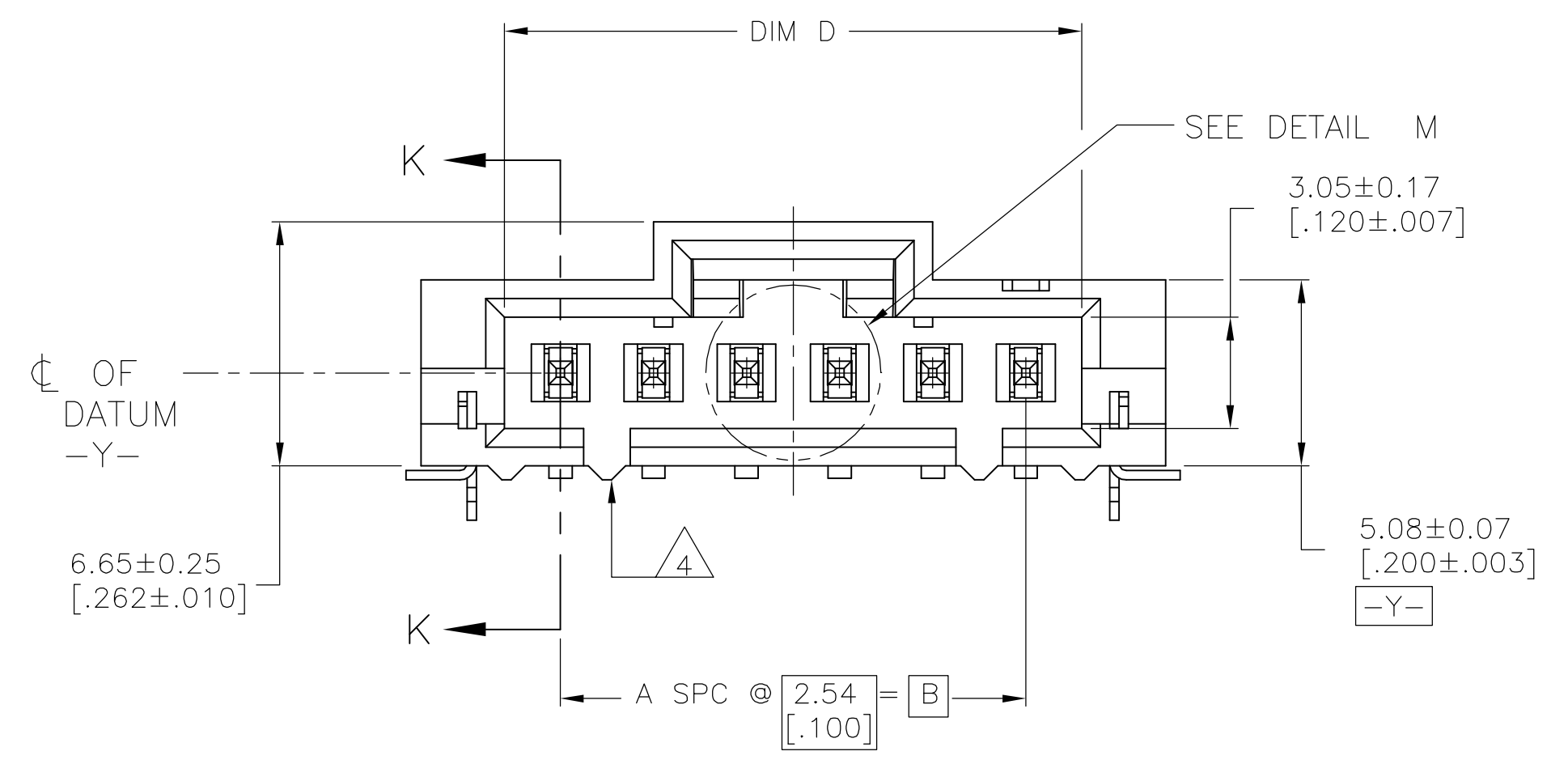


| LOC |     | DIST         |         | REVISIONS |     |  |  |
|-----|-----|--------------|---------|-----------|-----|--|--|
| F   | LTR | DATE         | DRN     | APVD      |     |  |  |
| F   | EC  | 063C 0800 04 | 08DEC05 | BSV       | JLG |  |  |

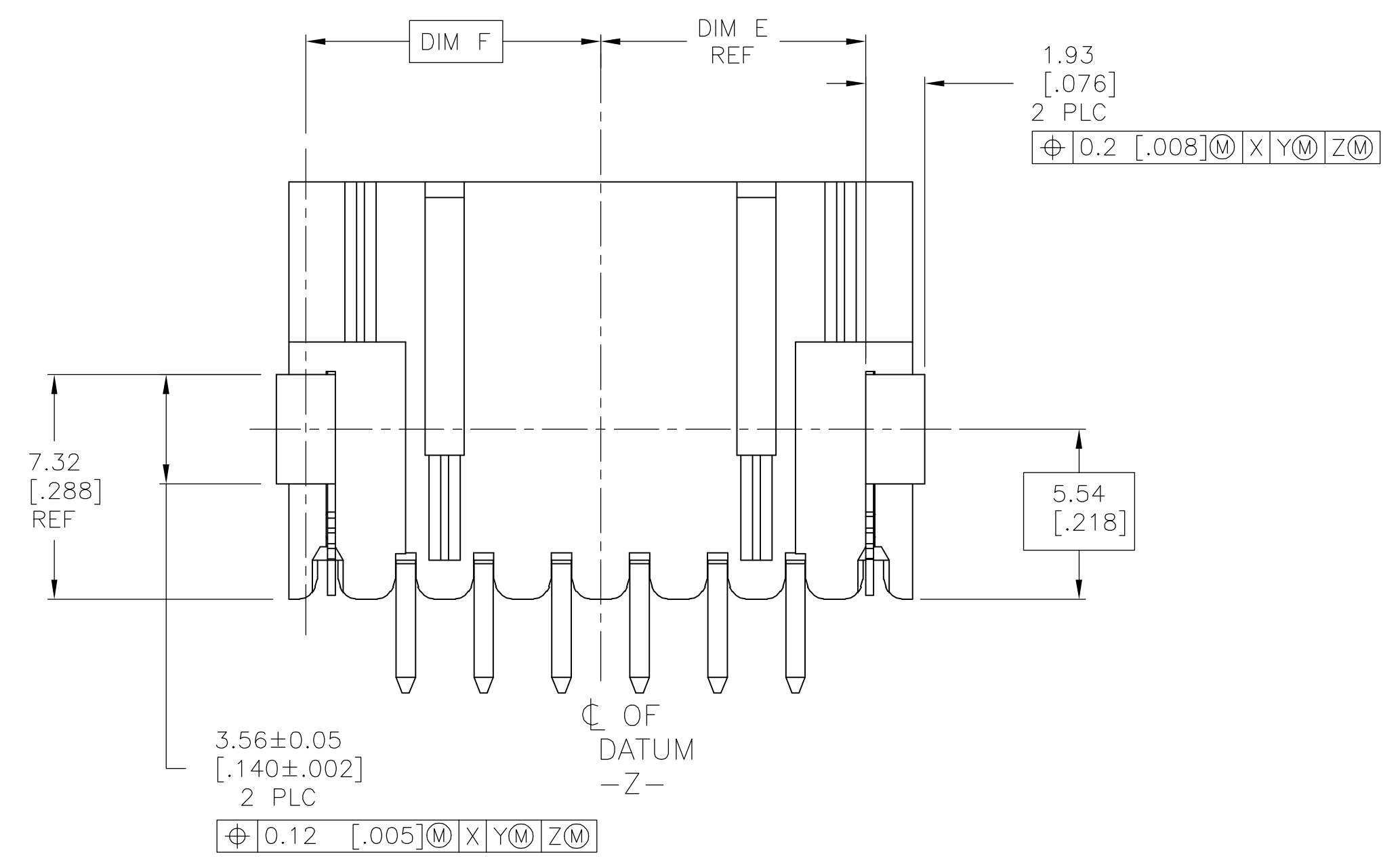


DETAIL M  
SCALE 8:1

DETAIL M  
SCALE 8:1

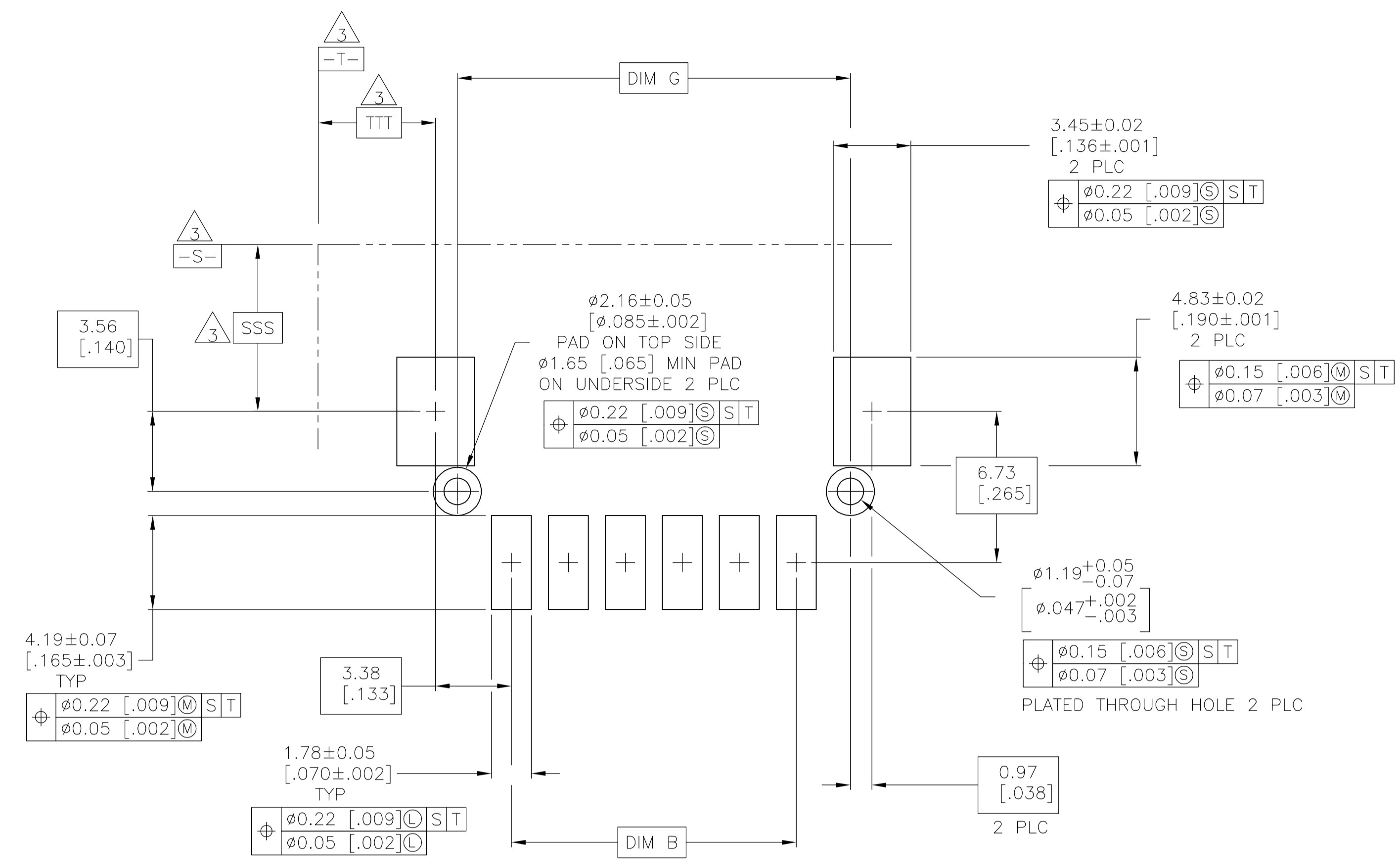


- 1 HOUSING: HIGH TEMPERATURE THERMOPLASTIC, COLOR-BLACK. POST: BRASS.
- 2 POST: 0.000762 [.000030] MIN GOLD ON THE CONTACT AREA, 0.00254-0.00508 [.000100-.000200] MIN MATTE TIN-LEAD ON THE SOLDER LEADS, ALL OVER 0.00127 [.000050] NICKEL.
- 3 DATUMS AND BASIC DIMENSIONS ESTABLISHED BY THE CUSTOMER.
- 4 TWO POLARIZATION SLOTS ON ASSEMBLIES WITH FOUR OR MORE POSITIONS.
- 5 POST: 0.000762 [.000030] MIN GOLD ON THE CONTACT AREA, 0.00254-0.00508 [.000100-.000200] MIN MATTE TIN ON THE SOLDER LEADS, ALL OVER 0.00127 [.000050] NICKEL.

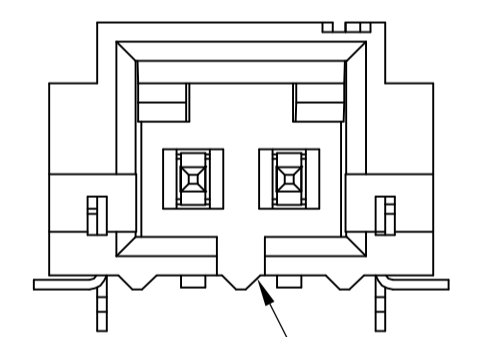


SEE TABLE ON SHEET #3

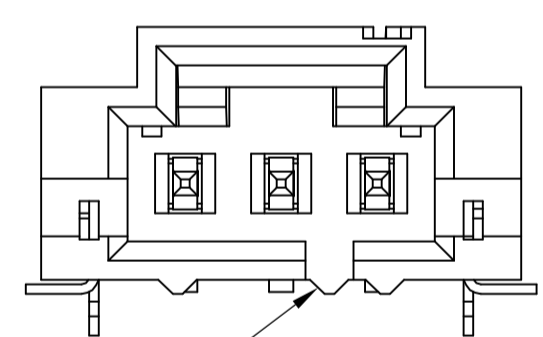
|  |   |  |  |   |                           |                  |       |   |   |       |   |   |       |   |             |       |   |   |        |   |   |            |                    |                      |
|--|---|--|--|---|---------------------------|------------------|-------|---|---|-------|---|---|-------|---|-------------|-------|---|---|--------|---|---|------------|--------------------|----------------------|
| THIS DRAWING IS A CONTROLLED DOCUMENT. |   | DWN<br>S. HAYMAKER<br>02DEC99  |  | Tyco Electronics Corporation<br>Harrisburg, Pa 17105-3608 |                           |                  |       |   |   |       |   |   |       |   |             |       |   |   |        |   |   |            |                    |                      |
| DIMENSIONS:<br>mm [INCHES]             |   | CHK<br>J. MOSIER<br>02DEC99  |  | NAME<br>J. MOSIER<br>02DEC99                              | PRODUCT SPEC<br>108-25034 | APPLICATION SPEC |       |   |   |       |   |   |       |   |             |       |   |   |        |   |   |            |                    |                      |
| TOLERANCES UNLESS OTHERWISE SPECIFIED: |   | <table border="1"> <tr><td>0 PLC</td><td>±</td><td>-</td></tr> <tr><td>1 PLC</td><td>±</td><td>-</td></tr> <tr><td>2 PLC</td><td>±</td><td>-</td></tr> <tr><td>3 PLC</td><td>±</td><td>0.13 [.005]</td></tr> <tr><td>4 PLC</td><td>±</td><td>-</td></tr> <tr><td>ANGLES</td><td>±</td><td>-</td></tr> </table> |  | 0 PLC   | ±                         | -                | 1 PLC | ± | - | 2 PLC | ± | - | 3 PLC | ± | 0.13 [.005] | 4 PLC | ± | - | ANGLES | ± | - | SIZE<br>A1 | CAGE CODE<br>00779 | DRAWING NO<br>147323 |
| 0 PLC                                  | ± | -  |  |   |                           |                  |       |   |   |       |   |   |       |   |             |       |   |   |        |   |   |            |                    |                      |
| 1 PLC                                  | ± | -  |  |   |                           |                  |       |   |   |       |   |   |       |   |             |       |   |   |        |   |   |            |                    |                      |
| 2 PLC                                  | ± | -  |  |   |                           |                  |       |   |   |       |   |   |       |   |             |       |   |   |        |   |   |            |                    |                      |
| 3 PLC                                  | ± | 0.13 [.005]  |  |   |                           |                  |       |   |   |       |   |   |       |   |             |       |   |   |        |   |   |            |                    |                      |
| 4 PLC                                  | ± | -  |  |   |                           |                  |       |   |   |       |   |   |       |   |             |       |   |   |        |   |   |            |                    |                      |
| ANGLES                                 | ± | -  |  |   |                           |                  |       |   |   |       |   |   |       |   |             |       |   |   |        |   |   |            |                    |                      |
| MATERIAL<br>1                          |   | SEE TABLE  |  | WEIGHT<br>-   | RESTRICTED TO<br>-        |                  |       |   |   |       |   |   |       |   |             |       |   |   |        |   |   |            |                    |                      |
|  |   | CUSTOMER DRAWING   |  | SCALE<br>6:1  | SHEET<br>1 OF 4           |                  |       |   |   |       |   |   |       |   |             |       |   |   |        |   |   |            |                    |                      |



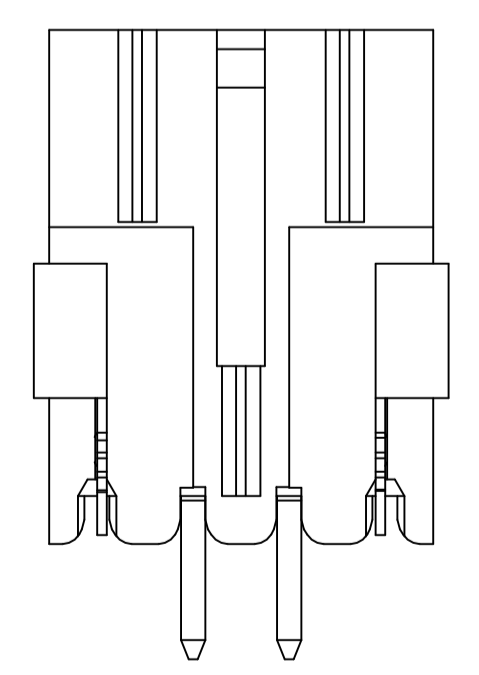
RECOMMENDED PC BOARD LAYOUT



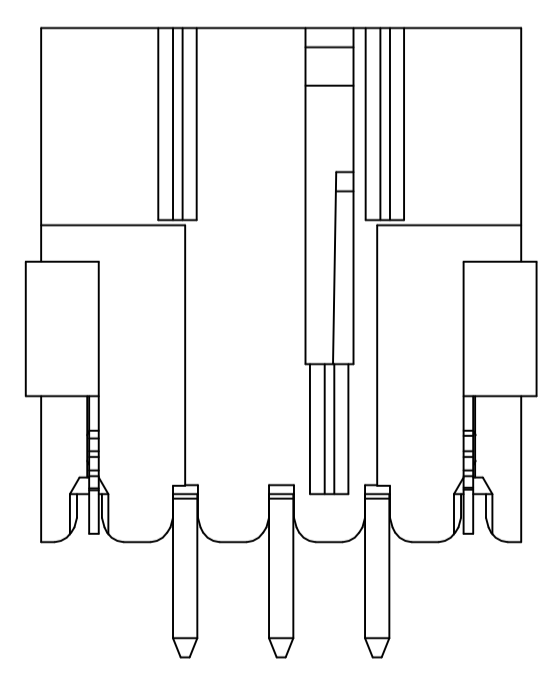
POLARIZATION SLOT FOR TWO POSITION



POLARIZING SLOT FOR THREE POSITION



147278-1



147278-2

|  |               |                               |   |
|--|---------------|-------------------------------|---|
| THIS DRAWING IS A CONTROLLED DOCUMENT. |               | DWG<br>B. HAYMAKER<br>02DEC99 | Tyco Electronics Corporation<br>Harrisburg, Pa 17105-3608 |
| DIMENSIONS:<br>mm [INCHES]             |               | CHK<br>J. MOSIER<br>02DEC99   |   |
| TOLERANCES UNLESS OTHERWISE SPECIFIED: |               | APVD<br>J. MOSIER<br>02DEC99  | NAME<br>108-25034   |
| 0 PLC                                  | ± -           | PRODUCT SPEC                  | HEADER ASSEMBLY, LATCHING, RIGHT                          |
| 1 PLC                                  | ± -           | APPLICATION SPEC              | ANGLE SURFACE MOUNT, MTE, AMPMODU                         |
| 2 PLC                                  | ± -           | SIZE                          | A1  |
| 3 PLC                                  | ± 0.13 [.005] | SCALE                         | 6:1   |
| 4 PLC                                  | ± -           | WEIGHT                        | 147323  |
| ANGLES                                 | ± -           | CUSTOMER DRAWING              | SCALE 6:1 SHEET 2 OF 4 REV F                              |
| FINISH                                 | SEE TABLE     |                               |   |

|                |                       |               |               |               |               |               |               |    |            |             |
|----------------|-----------------------|---------------|---------------|---------------|---------------|---------------|---------------|----|------------|-------------|
| △ <sub>2</sub> | 88                    | 65.79 [2.590] | 33.73 [1.328] | 32.77 [1.290] | 64.01 [2.520] | 68.58 [2.700] | 60.96 [2.400] | 24 | 25         | 2-147323-4  |
| △ <sub>2</sub> | 88                    | 63.25 [2.490] | 32.46 [1.278] | 31.50 [1.240] | 61.47 [2.420] | 66.04 [2.600] | 58.42 [2.300] | 23 | 24         | 2-147323-3  |
| △ <sub>2</sub> | 88                    | 60.71 [2.390] | 31.19 [1.228] | 30.23 [1.190] | 58.93 [2.320] | 63.50 [2.500] | 55.88 [2.200] | 22 | 23         | 2-147323-2  |
| △ <sub>2</sub> | 88                    | 58.17 [2.290] | 29.92 [1.178] | 28.96 [1.140] | 56.39 [2.220] | 60.96 [2.400] | 53.34 [2.100] | 21 | 22         | 2-147323-1  |
| △ <sub>2</sub> | 88                    | 55.63 [2.190] | 28.65 [1.128] | 27.69 [1.090] | 53.85 [2.120] | 58.42 [2.300] | 50.80 [2.000] | 20 | 21         | 2-147323-0  |
| △ <sub>2</sub> | 72                    | 53.09 [2.090] | 27.38 [1.078] | 26.42 [1.040] | 51.31 [2.020] | 55.88 [2.200] | 48.26 [1.900] | 19 | 20         | 1-147323-9  |
| △ <sub>2</sub> | 72                    | 50.55 [1.990] | 26.11 [1.028] | 25.15 [.990]  | 48.77 [1.920] | 53.34 [2.100] | 45.72 [1.800] | 18 | 19         | 1-147323-8  |
| △ <sub>2</sub> | 72                    | 48.01 [1.890] | 24.84 [.978]  | 23.88 [.940]  | 46.23 [1.820] | 50.80 [2.000] | 43.18 [1.700] | 17 | 18         | 1-147323-7  |
| △ <sub>2</sub> | 72                    | 45.47 [1.790] | 23.57 [.928]  | 22.61 [.890]  | 43.69 [1.720] | 48.26 [1.900] | 40.64 [1.600] | 16 | 17         | 1-147323-6  |
| △ <sub>2</sub> | 72                    | 42.93 [1.690] | 22.30 [.878]  | 21.34 [.840]  | 41.15 [1.620] | 45.72 [1.800] | 38.10 [1.500] | 15 | 16         | 1-147323-5  |
| △ <sub>2</sub> | 72                    | 40.39 [1.590] | 21.03 [.828]  | 20.07 [.790]  | 38.61 [1.520] | 43.18 [1.700] | 35.56 [1.400] | 14 | 15         | 1-147323-4  |
| △ <sub>2</sub> | 56                    | 37.85 [1.490] | 19.76 [.778]  | 18.80 [.740]  | 36.07 [1.420] | 40.64 [1.600] | 33.02 [1.300] | 13 | 14         | 1-147323-3  |
| △ <sub>2</sub> | 56                    | 35.31 [1.390] | 18.49 [.728]  | 17.53 [.690]  | 33.53 [1.320] | 38.10 [1.500] | 30.48 [1.200] | 12 | 13         | 1-147323-2  |
| △ <sub>2</sub> | 56                    | 32.77 [1.290] | 17.22 [.678]  | 16.26 [.640]  | 30.99 [1.220] | 35.56 [1.400] | 27.94 [1.100] | 11 | 12         | 1-147323-1  |
| △ <sub>2</sub> | 56                    | 30.23 [1.190] | 15.95 [.628]  | 14.99 [.590]  | 28.45 [1.120] | 33.02 [1.300] | 25.40 [1.000] | 10 | 11         | 1-147323-0  |
| △ <sub>2</sub> | 44                    | 27.69 [1.090] | 14.68 [.578]  | 13.72 [.540]  | 25.91 [1.020] | 30.48 [1.200] | 22.86 [.900]  | 9  | 10         | 147323-9    |
| △ <sub>2</sub> | 44                    | 25.15 [.990]  | 13.41 [.528]  | 12.45 [.490]  | 23.37 [.920]  | 27.94 [1.100] | 20.32 [.800]  | 8  | 9          | 147323-8    |
| △ <sub>2</sub> | 44                    | 22.61 [.890]  | 12.14 [.478]  | 11.18 [.440]  | 20.83 [.820]  | 25.40 [1.000] | 17.78 [.700]  | 7  | 8          | 147323-7    |
| △ <sub>2</sub> | 44                    | 20.07 [.790]  | 10.87 [.428]  | 9.91 [.390]   | 18.29 [.720]  | 22.86 [.900]  | 15.24 [.600]  | 6  | 7          | 147323-6    |
| △ <sub>2</sub> | 44                    | 17.53 [.690]  | 9.60 [.378]   | 8.64 [.340]   | 15.75 [.620]  | 20.32 [.800]  | 12.70 [.500]  | 5  | 6          | 147323-5    |
| △ <sub>2</sub> | 32                    | 14.99 [.590]  | 8.33 [.328]   | 7.37 [.290]   | 13.21 [.520]  | 17.78 [.700]  | 10.16 [.400]  | 4  | 5          | 147323-4    |
| △ <sub>2</sub> | 24                    | 12.45 [.490]  | 7.06 [.278]   | 6.10 [.240]   | 10.67 [.420]  | 15.24 [.600]  | 7.62 [.300]   | 3  | 4          | 147323-3    |
| △ <sub>2</sub> | 24                    | 9.91 [.390]   | 5.79 [.228]   | 4.83 [.190]   | 8.13 [.320]   | 12.70 [.500]  | 5.08 [.200]   | 2  | 3          | 147323-2    |
| △ <sub>2</sub> | 24                    | 7.37 [.290]   | 4.52 [.178]   | 3.56 [.140]   | 5.59 [.220]   | 10.16 [.400]  | 2.54 [.100]   | 1  | 2          | 147323-1    |
| PLATING        | EAI 481 TAPE WIDTH mm | G             | F             | E             | D             | C             | B             | A  | NO OF POSN | PART NUMBER |

|   |  |                         |  |  |  |
|---|--|-------------------------|--|--|--|
| THIS DRAWING IS A CONTROLLED DOCUMENT.  |  | DWG: B HAYMAKER 02DEC99 |  | Tyco Electronics Corporation<br>Harrisburg, Pa 17105-3608                |  |
| DIMENSIONS: mm [INCHES]   |  | CHK: J. MOSIER 02DEC99  |  | APVD: J. MOSIER 02DEC99  |  |
| TOLERANCES UNLESS OTHERWISE SPECIFIED:  |  | PRODUCT SPEC: 108-25034 |  | NAME: HEADER ASSEMBLY, LATCHING, RIGHT ANGLE SURFACE MOUNT, MTE, AMPMODU |  |
| 0 PLC ± -<br>1 PLC ± -<br>2 PLC ± -<br>3 PLC ± 0.13 [.005]<br>4 PLC ± -<br>ANGLES ± - |  | APPLICATION SPEC: -     |  | SIZE: A1   |  |
| MATERIAL: △ <sub>1</sub>  |  | FINISH: SEE TABLE       |  | WEIGHT: -  |  |
|   |  | CUSTOMER DRAWING        |  | SCALE: 1:1 SHEET 3 OF 4 REV F  |  |

|         |                       |               |               |               |               |               |               |    |            |             |
|---------|-----------------------|---------------|---------------|---------------|---------------|---------------|---------------|----|------------|-------------|
| △5      | 88                    | 65.79 [2.590] | 33.73 [1.328] | 32.77 [1.290] | 64.01 [2.520] | 68.58 [2.700] | 60.96 [2.400] | 24 | 25         | 7-147323-4  |
| △5      | 88                    | 63.25 [2.490] | 32.46 [1.278] | 31.50 [1.240] | 61.47 [2.420] | 66.04 [2.600] | 58.42 [2.300] | 23 | 24         | 7-147323-3  |
| △5      | 88                    | 60.71 [2.390] | 31.19 [1.228] | 30.23 [1.190] | 58.93 [2.320] | 63.50 [2.500] | 55.88 [2.200] | 22 | 23         | 7-147323-2  |
| △5      | 88                    | 58.17 [2.290] | 29.92 [1.178] | 28.96 [1.140] | 56.39 [2.220] | 60.96 [2.400] | 53.34 [2.100] | 21 | 22         | 7-147323-1  |
| △5      | 88                    | 55.63 [2.190] | 28.65 [1.128] | 27.69 [1.090] | 53.85 [2.120] | 58.42 [2.300] | 50.80 [2.000] | 20 | 21         | 7-147323-0  |
| △5      | 72                    | 53.09 [2.090] | 27.38 [1.078] | 26.42 [1.040] | 51.31 [2.020] | 55.88 [2.200] | 48.26 [1.900] | 19 | 20         | 6-147323-9  |
| △5      | 72                    | 50.55 [1.990] | 26.11 [1.028] | 25.15 [.990]  | 48.77 [1.920] | 53.34 [2.100] | 45.72 [1.800] | 18 | 19         | 6-147323-8  |
| △5      | 72                    | 48.01 [1.890] | 24.84 [.978]  | 23.88 [.940]  | 46.23 [1.820] | 50.80 [2.000] | 43.18 [1.700] | 17 | 18         | 6-147323-7  |
| △5      | 72                    | 45.47 [1.790] | 23.57 [.928]  | 22.61 [.890]  | 43.69 [1.720] | 48.26 [1.900] | 40.64 [1.600] | 16 | 17         | 6-147323-6  |
| △5      | 72                    | 42.93 [1.690] | 22.30 [.878]  | 21.34 [.840]  | 41.15 [1.620] | 45.72 [1.800] | 38.10 [1.500] | 15 | 16         | 6-147323-5  |
| △5      | 72                    | 40.39 [1.590] | 21.03 [.828]  | 20.07 [.790]  | 38.61 [1.520] | 43.18 [1.700] | 35.56 [1.400] | 14 | 15         | 6-147323-4  |
| △5      | 56                    | 37.85 [1.490] | 19.76 [.778]  | 18.80 [.740]  | 36.07 [1.420] | 40.64 [1.600] | 33.02 [1.300] | 13 | 14         | 6-147323-3  |
| △5      | 56                    | 35.31 [1.390] | 18.49 [.728]  | 17.53 [.690]  | 33.53 [1.320] | 38.10 [1.500] | 30.48 [1.200] | 12 | 13         | 6-147323-2  |
| △5      | 56                    | 32.77 [1.290] | 17.22 [.678]  | 16.26 [.640]  | 30.99 [1.220] | 35.56 [1.400] | 27.94 [1.100] | 11 | 12         | 6-147323-1  |
| △5      | 56                    | 30.23 [1.190] | 15.95 [.628]  | 14.99 [.590]  | 28.45 [1.120] | 33.02 [1.300] | 25.40 [1.000] | 10 | 11         | 6-147323-0  |
| △5      | 44                    | 27.69 [1.090] | 14.68 [.578]  | 13.72 [.540]  | 25.91 [1.020] | 30.48 [1.200] | 22.86 [.900]  | 9  | 10         | 5-147323-9  |
| △5      | 44                    | 25.15 [.990]  | 13.41 [.528]  | 12.45 [.490]  | 23.37 [.920]  | 27.94 [1.100] | 20.32 [.800]  | 8  | 9          | 5-147323-8  |
| △5      | 44                    | 22.61 [.890]  | 12.14 [.478]  | 11.18 [.440]  | 20.83 [.820]  | 25.40 [1.000] | 17.78 [.700]  | 7  | 8          | 5-147323-7  |
| △5      | 44                    | 20.07 [.790]  | 10.87 [.428]  | 9.91 [.390]   | 18.29 [.720]  | 22.86 [.900]  | 15.24 [.600]  | 6  | 7          | 5-147323-6  |
| △5      | 44                    | 17.53 [.690]  | 9.60 [.378]   | 8.64 [.340]   | 15.75 [.620]  | 20.32 [.800]  | 12.70 [.500]  | 5  | 6          | 5-147323-5  |
| △5      | 32                    | 14.99 [.590]  | 8.33 [.328]   | 7.37 [.290]   | 13.21 [.520]  | 17.78 [.700]  | 10.16 [.400]  | 4  | 5          | 5-147323-4  |
| △5      | 24                    | 12.45 [.490]  | 7.06 [.278]   | 6.10 [.240]   | 10.67 [.420]  | 15.24 [.600]  | 7.62 [.300]   | 3  | 4          | 5-147323-3  |
| △5      | 24                    | 9.91 [.390]   | 5.79 [.228]   | 4.83 [.190]   | 8.13 [.320]   | 12.70 [.500]  | 5.08 [.200]   | 2  | 3          | 5-147323-2  |
| △5      | 24                    | 7.37 [.290]   | 4.52 [.178]   | 3.56 [.140]   | 5.59 [.220]   | 10.16 [.400]  | 2.54 [.100]   | 1  | 2          | 5-147323-1  |
| PLATING | EAI 481 TAPE WIDTH mm | G             | F             | E             | D             | C             | B             | A  | NO OF POSN | PART NUMBER |

|  |  |                               |  |   |  |
|--|--|-------------------------------|--|---|--|
| THIS DRAWING IS A CONTROLLED DOCUMENT. |  | DWN<br>B. HAYMAKER<br>02DEC99 |  | Tyco Electronics Corporation<br>Harrisburg, Pa 17105-3608 |  |
| DIMENSIONS:<br>mm [INCHES]             |  | CHK<br>J. MOSIER<br>02DEC99   |  | APVD<br>J. MOSIER<br>02DEC99                              |  |
| TOLERANCES UNLESS OTHERWISE SPECIFIED: |  | PRODUCT SPEC                  |  | NAME  |  |
| 0 PLC ± -                              |  | 108-25034                     |  | HEADER ASSEMBLY, LATCHING, RIGHT                          |  |
| 1 PLC ± -                              |  | APPLICATION SPEC              |  | ANGLE SURFACE MOUNT, MTE, AMPMODU                         |  |
| 2 PLC ± -                              |  | SIZE                          |  | CAGE CODE   |  |
| 3 PLC ± 0.13 [.005]                    |  | A1                            |  | 00779   |  |
| 4 PLC ± -                              |  | WEIGHT                        |  | DRAWING NO  |  |
| ANGLES ± -                             |  | CUSTOMER DRAWING              |  | 147323  |  |
| FINISH                                 |  | SCALE                         |  | SHEET   |  |
| SEE TABLE                              |  | 1:1                           |  | 4 OF 4  |  |
|  |  | REV                           |  | F   |  |