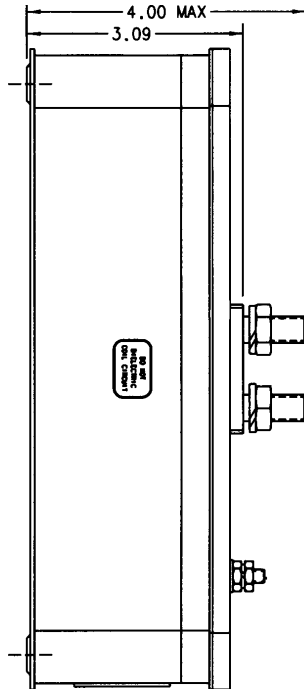
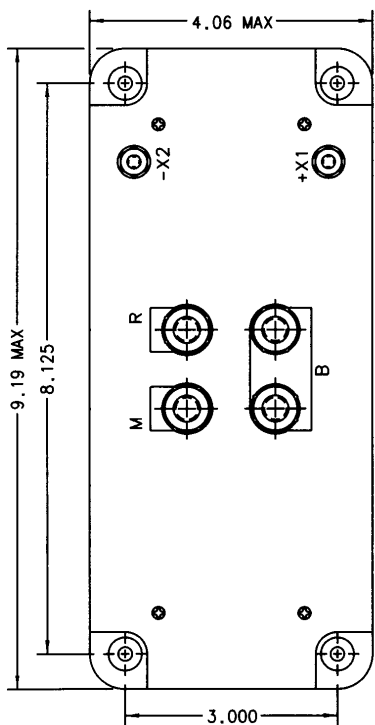


**A-922F 2PST,
600 Amps, 28 VDC**

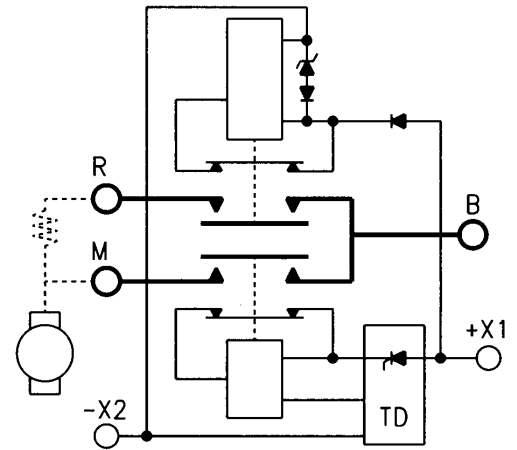


Features:

- 2PST Main Contacts
- .325 - .350 Second Time Delay between Rand M Contact Closure
- Transient Suppression
- Economizing Coil
- 28 VDC
- 600 Amps
- High Reliability
- Meets many requirements of MIL-R-6106



CONTACTOR CONFIGURATION



Notes:

Dimensions for this product are expressed in inches. Multiply values by 25.4 for millimeters.

| PRODUCT SPECIFICATIONS | |
|-------------------------------|----------------------------|
| Construction | Gasket Sealed, Water Tight |
| Main Contacts: | |
| Configuration | 2PST N.O. |
| Voltage (Nominal) | 28 VDC |
| Current (Resistive) | 600 Amps |
| Coil Data: | |
| Duty Cycle | Continuous (Economizing) |
| Voltage (Nominal) | 28 VDC |
| Pick-Up Voltage | 16 VDC Maximum |
| Drop-Out Voltage | 1 - 7 VDC |
| Coil Current @ 28 VDC & +25°C | |
| In-Rush | 1.65 Amps |
| Hold | 0.56 Amps |
| Operating Temperature | -55°C to +71°C |
| Life: | |
| Electrical | 25,000 Cycles |
| Mechanical | 100,000 Cycles |
| Weight Maximum | 6 Lbs. |

For factory-direct application assistance, contact the HARTMAN product team at (419) 521-9500, Fax (419) 526-2749.

© 2004 by Tyco Electronics Corporation. All Rights Reserved. HARTMAN and TYCO are trademarks.