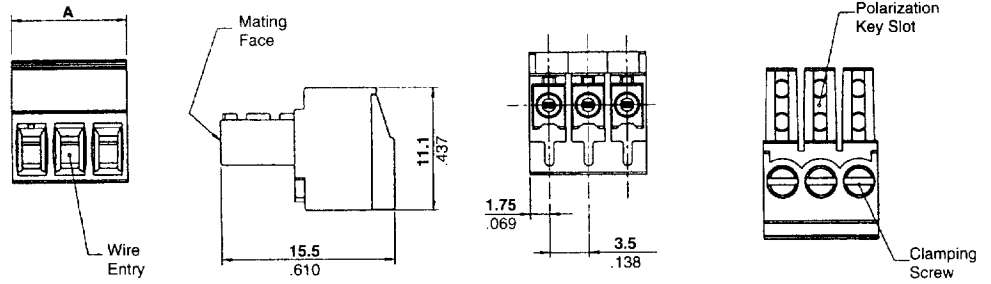
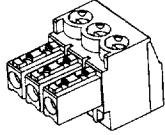


### Two-Piece Terminal Block Connectors

**Plug, Right-Angle**  
**1.5 mm<sup>2</sup> Solid Wire,**  
**3.5 mm Centerline,**  
**Colors – Green and Blue**

**UL Rating – 150 V, 10 A**  
**14-30 AWG**



**Suggested Screw Torque**— 2.2 in.-lb.

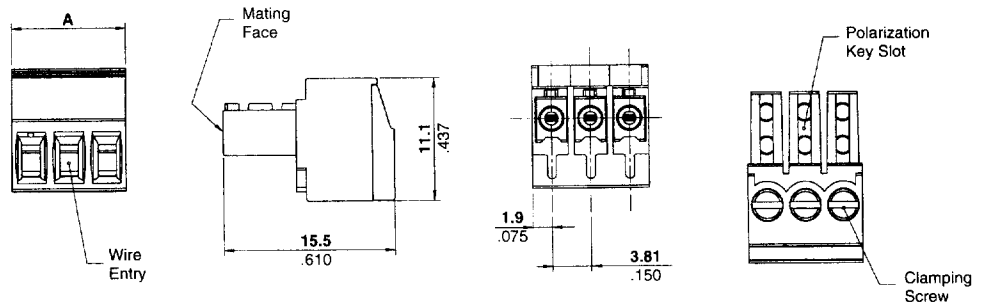
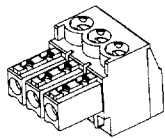
No. of Positions	Dim. A	Part Numbers	
		Green	Blue
2	7.0 [0.276]	284506-2	796693-2
3	10.5 [0.413]	284506-3	796693-3
4	14.0 [0.551]	284506-4	796693-4
5	17.5 [0.689]	284506-5	796693-5
6	21.0 [0.827]	284506-6	796693-6
7	24.5 [0.965]	284506-7	796693-7
8	28.0 [1.102]	284506-8	796693-8
9	31.5 [1.240]	284506-9	796693-9
10	35.0 [1.378]	1-284506-0	1-796693-0
11	38.5 [1.516]	1-284506-1	1-796693-1
12	42.0 [1.654]	1-284506-2	1-796693-2
13	45.5 [1.791]	1-284506-3	1-796693-3

No. of Positions	Dim. A	Part Numbers	
		Green	Blue
14	49.0 [1.929]	1-284506-4	1-796693-4
15	52.5 [2.067]	1-284506-5	1-796693-5
16	56.0 [2.205]	1-284506-6	1-796693-6
17	59.5 [2.343]	1-284506-7	1-796693-7
18	63.0 [2.450]	1-284506-8	1-796693-8
19	66.5 [2.618]	1-284506-9	1-796693-9
20	70.0 [2.756]	2-284506-0	2-796693-0
21	73.5 [2.894]	2-284506-1	2-796693-1
22	77.0 [3.031]	2-284506-2	2-796693-2
23	80.5 [3.169]	2-284506-3	2-796693-3
24	84.0 [3.307]	2-284506-4	2-796693-4
25	87.5 [3.445]	2-284506-5	2-796693-5

**Note:** BUCHANAN Terminal Block Series B52C3UXXT has been superceded/replaced with 796693-xx (blue).

**Plug, Right-Angle**  
**1.5 mm<sup>2</sup> Solid Wire,**  
**3.81 mm Centerline**  
**Color – Green**

**UL Rating – 150 V, 10 A**  
**14-30 AWG**



**Suggested Screw Torque**— 2.2 in.-lb.

No. of Positions	Dim. A	Part Numbers
2	7.62 [0.300]	284507-2
3	11.43 [0.450]	284507-3
4	15.24 [0.600]	284507-4
5	19.05 [0.750]	284507-5
6	22.86 [0.900]	284507-6
7	26.67 [1.050]	284507-7
8	30.48 [1.200]	284507-8
9	34.29 [1.350]	284507-9
10	38.10 [1.500]	1-284507-0
11	41.91 [1.650]	1-284507-1
12	45.72 [1.800]	1-284507-2
13	49.53 [1.950]	1-284507-3

No. of Positions	Dim. A	Part Numbers
14	53.34 [2.100]	1-284507-4
15	57.15 [2.250]	1-284507-5
16	60.96 [2.400]	1-284507-6
17	64.77 [2.550]	1-284507-7
18	68.58 [2.700]	1-284507-8
19	72.39 [2.850]	1-284507-9
20	76.20 [3.000]	2-284507-0
21	80.01 [3.150]	2-284507-1
22	83.82 [3.300]	2-284507-2
23	87.63 [3.450]	2-284507-3
24	91.44 [3.600]	2-284507-4
25	95.25 [3.750]	2-284507-5

For complete product information, order Catalog 1308389