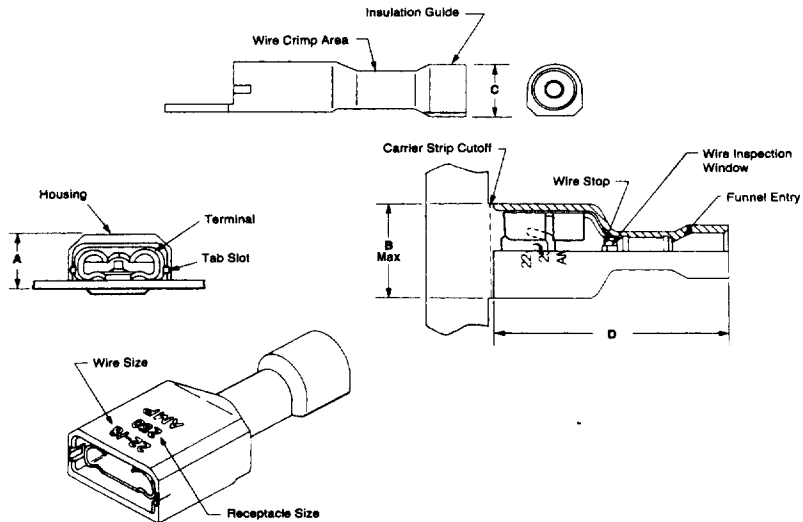


### Ultra-Fast Fully Insulated FASTON Receptacles and Tabs

#### Ultra-Fast Fully Insulated FASTON Receptacles

**Material:**

- Housing**—Nylon Type 6/6
- Terminal**—Tin-plated, copper alloy
- Color Code (Translucent)**
- Violet**—26-22 AWG
- Red**—22-18 AWG
- Blue**—16-14 AWG
- Yellow**—12-10 AWG



Description	Wire Range AWG	Ins. Dia. Max.	Dimensions				Mating Tab	Terminal Base Material	Part Numbers	
			A	B	C	D			Strip	Loose Piece
.110/.125 Series	26-22	.100 2.54	.145 3.68	.275 6.99	.138 3.51	.735 18.67	.020 x .110/.125 0.51 x 2.79/3.18	Brass	7-520365-2 <sup>1</sup>	7-520366-2 <sup>1</sup>
									2-520080-2 <sup>1</sup>	2-520081-2 <sup>1</sup>
	22-18	.120 3.05	.160 4.06	.275 6.99	.167 4.24	.735 18.67	.020 x .110/.125 0.51 x 2.79/3.18	Brass	2-520083-2	2-520084-2
									2-520272-2	2-520273-2
									2-520306-2	—
									2-520310-2	—
16-14	.260 6.60	.175 4.45	.275 6.99	.325 8.26	.865 21.97	.020 x .110/.125 0.51 x 2.79/3.18	Brass	3-520370-2 <sup>2</sup>	—	
								2-520181-2	2-520182-2	
.187 Series	22-18	.135 3.43	.165 4.19	.336 8.53	.200 5.08	.855 21.72	.020 x .187 0.51 x 4.75	Brass	2-520193-2	2-520194-2
									2-520261-2	—
	16-14	.230 5.84	.165 4.19	.336 8.53	.295 7.49	.935 23.75	.032 x .187 0.81 x 4.75	Brass	2-520274-2	2-520275-2
									3-350815-2	3-350816-2
									3-520124-2	3-520125-2
									3-520150-2	3-520151-2
.205 Series	22-18	.135 3.43	.195 4.95	.409 10.39	.200 5.08	.855 21.72	.032 x .205 0.81 x 5.21	Brass	2-521308-2	—
									2-520183-2	2-520184-2
.250 Series	22-18	.135 3.43	.195 4.95	.409 10.39	.200 5.08	.855 21.72	.032 x .250 0.81 x 6.35	Phos. Brz.	2-520183-4	2-520184-4
									2-520263-2	2-520264-2
	16-14	.230 5.84	.195 4.95	.409 10.39	.295 7.49	.935 23.75	.032 x .250 0.81 x 6.35	Phos. Brz.	2-520263-4	—
									3-350819-2	3-350820-2
									3-520116-2	3-520117-2
									3-520140-2	3-520141-2
12-10	.320 8.13	.250 6.35	.409 10.39	.388 9.86	.935 23.75	.032 x .250 0.81 x 6.35	Brass	4-520447-2	4-520448-2	

For complete product information, order Catalog 82004

<sup>1</sup> UL Recognized, CSA Certified.  
<sup>2</sup> UL Recognized 8 AMPS Max. CSA Certified.