

TE Internal #: 2081968-1

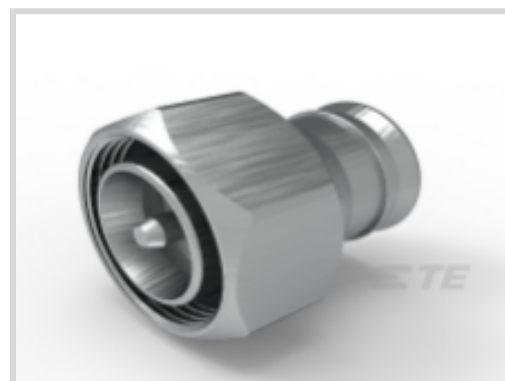
RF Connectors, 4.3-10 RF Interface, Plug, RF Connector Mated

Outer Diameter (Approximate) .984 in [25 mm], 50 Ω

[View on TE.com >](#)



Connectors > RF Coax Connectors > RF Connectors



RF Interface: **4.3-10**

RF Connector Style: **Plug**

RF Connector Mated Outer Diameter (Approximate): **25 mm [.984 in]**

Impedance: **50 Ω**

Compatible With RF Cable Type: **1/2" Flex Cable**

Features

Product Type Features

Connector Product Type	Connector Assembly
RF Interface	4.3-10
RF Connector Style	Plug
Compatible With RF Cable Type	1/2" Flex Cable
Connector System	Cable-to-Cable
Sealable	Yes
Connector & Contact Terminates To	Wire & Cable
Connector Seal Type	Interface Seal

Configuration Features

Number of Mounting Legs	0
Number of Signal Positions	1
Number of Coaxial Contacts	1

Electrical Characteristics

Insulation Resistance	5000 MΩ
Voltage Rating	2500 VAC
Impedance	50 Ω

Body Features

Body Shape	Circular
------------	----------



Cable Connector Orientation	Straight
Body Material	Brass
Body Material Finish	Bright
Body Plating Material	White Bronze

Contact Features

RF Connector Center Contact Plating Material	Silver
RF Connector Center Contact Material	Brass

Termination Features

Termination Method to Wire & Cable	Solder
Termination Post & Tail Length	0 mm[0 in]

Mechanical Attachment

Mounting Hardware Type	Fixing Screw
Mating Retention Type	Screw
RF Connector Coupling Mechanism	Screw
Connector Mounting Type	Cable Mount (Free-Hanging)
RF Contact Captivation Method	Screw

Dimensions

Product Length	25.75 mm
RF Connector Mated Outer Diameter (Approximate)	25 mm[.984 in]

Usage Conditions

Operating Temperature Range	-40 – 85 °C[-40 – 185 °F][-40 – 185 °F]
-----------------------------	---

Operation/Application

Operating Frequency	0 – 6 GHz
---------------------	-----------

Packaging Features

Packaging Quantity	200
Packaging Method	Box

Other

Cable Entry	Straight
Coupling Nut Plating Material	Nickel
Coupling Nut Plating Finish	Plated
Gasket Material	Silicone Rubber
Coupling Nut Style	Hex



Coupling Nut Base Material	Brass
Dielectric Material	PTFE

Product Compliance

[For compliance documentation, visit the product page on TE.com>](#)

EU RoHS Directive 2011/65/EU	Compliant with Exemptions
EU ELV Directive 2000/53/EC	Not Yet Reviewed
China RoHS 2 Directive MIIT Order No 32, 2016	Restricted Materials Above Threshold
EU REACH Regulation (EC) No. 1907/2006	<p>Current ECHA Candidate List: JUN 2020 (209)</p> <p>Candidate List Declared Against: JUN 2020 (209)</p> <p>SVHC > Threshold:</p> <p>Pb (1.28% in Component Part)</p> <p>Article Safe Usage Statements: Do not eat, drink or smoke when using this product. Wash thoroughly after handling. Recycle if possible and dispose of the article by following all applicable governmental regulations relevant to your geographic location.</p>
Halogen Content	Low Halogen - Br, Cl, F, I < 900 ppm per homogenous material. Also BFR/CFR/PVC Free
Solder Process Capability	Not reviewed for solder process capability

Product Compliance Disclaimer

This information is provided based on reasonable inquiry of our suppliers and represents our current actual knowledge based on the information they provided. This information is subject to change. The part numbers that TE has identified as EU RoHS compliant have a maximum concentration of 0.1% by weight in homogenous materials for lead, hexavalent chromium, mercury, PBB, PBDE, DBP, BBP, DEHP, DIBP, and 0.01% for cadmium, or qualify for an exemption to these limits as defined in the Annexes of Directive 2011/65/EU (RoHS2). Finished electrical and electronic equipment products will be CE marked as required by Directive 2011/65/EU. Components may not be CE marked. Additionally, the part numbers that TE has identified as EU ELV compliant have a maximum concentration of 0.1% by weight in homogenous materials for lead, hexavalent chromium, and mercury, and 0.01% for cadmium, or qualify for an exemption to these limits as defined in the Annexes of Directive 2000/53/EC (ELV). Regarding the REACH Regulation, the information TE provides on SVHC in articles for this part number is based on the latest European Chemicals Agency (ECHA) 'Guidance on requirements for substances in articles' posted at this URL: <https://echa.europa.eu/guidance-documents/guidance-on-reach>

Compatible Parts



TE Part # 2081973-1
4.3-10 STR JACK, FLANGE, SOLDER, RG141

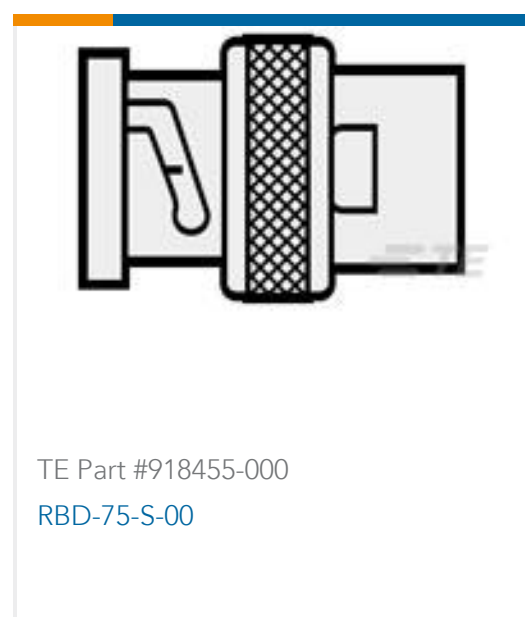
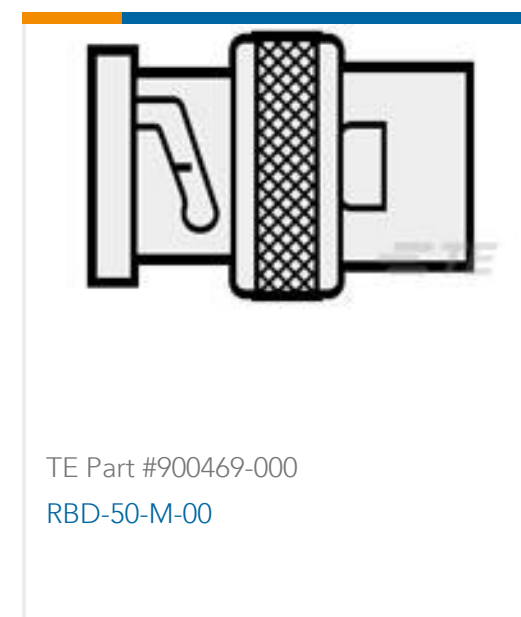
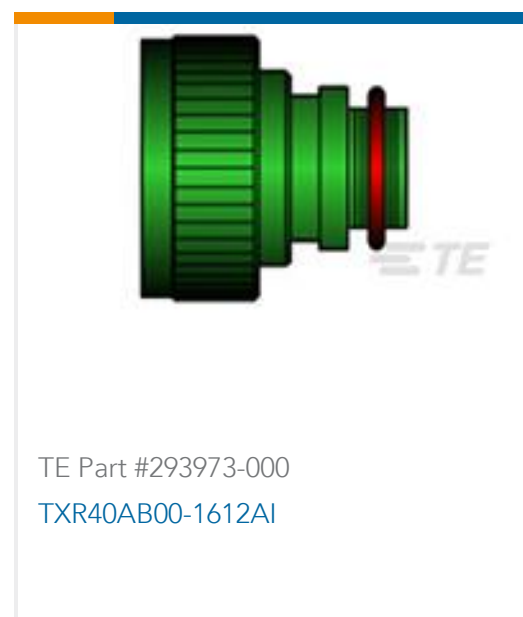
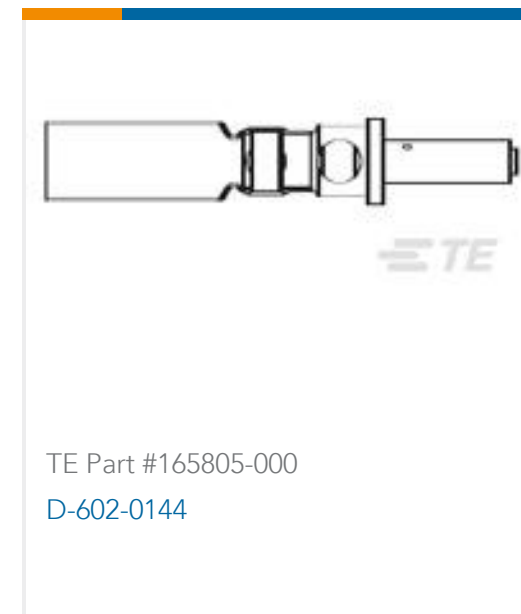
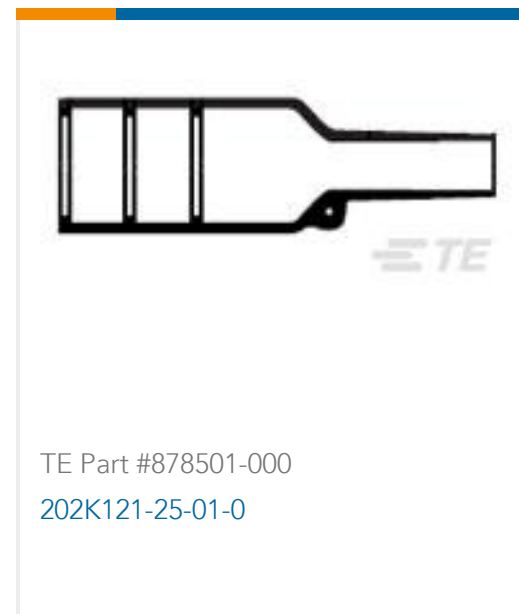
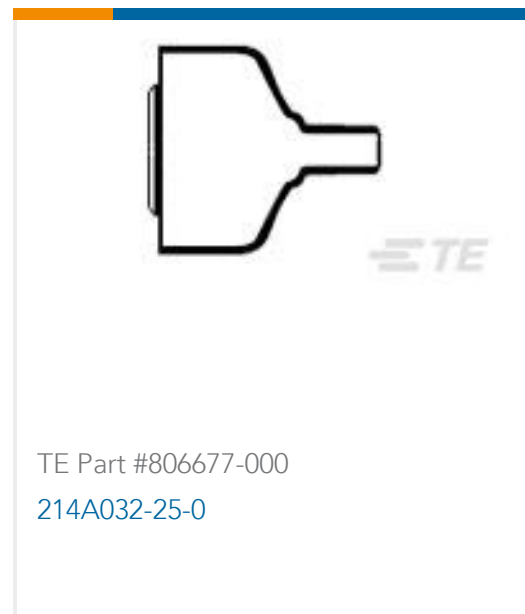


TE Part # 2081977-1
4.3-10 STR F RECEPTACLE, FLANGE, SPRAY



TE Part # 2081974-1
4.3-10 STR JACK, FLANGE, SOLDER, 380 CABLE

Customers Also Bought



Documents

Product Drawings

4.3-10 STR PLUG,SCREW, SOLDER,1-2 CABLE

English

CAD Files

3D PDF

3D

Customer View Model

[ENG_CVM_CVM_2081968-1_A.2d_dxf.zip](#)

English

Customer View Model

[ENG_CVM_CVM_2081968-1_A.3d_igs.zip](#)

English

Customer View Model

[ENG_CVM_CVM_2081968-1_A.3d_stp.zip](#)

English

By downloading the CAD file I accept and agree to the [Terms and Conditions](#) of use.



Product Specifications

Product Specification

English

Instruction Sheets

Instruction Sheet (U.S.)

English