



Holsworthy | Holsworthy UPF

TE Internal #: 2176163-3

Holsworthy UPF, Through-Hole Resistors, Precision Resistor, 10.2 x 4 mm, 2 Terminations, Ammo Packed, .1% Tolerance, Metal Film

[View on TE.com >](#)

Passive Components > Resistors > Through-Hole Resistors



Resistor Type: **Precision Resistor**

Dimensions: **10.2 x 4 mm**

Number of Terminations: **2**

Packaging Method: **Ammo Packed**

Tolerance: **.1%**

Features

Product Type Features

Product Type	Fixed Resistor
Element Material	Metal Film
Resistor Type	Precision Resistor
Element Type	Metal Film

Configuration Features

Number of Resistors	1
---------------------	---

Electrical Characteristics

Voltage Rating	300 V
Tolerance	.1%
Resistance Class	1kΩ – 1MΩ
Resistance	10K Ω
Power Rating	.5 W

Body Features

Lead Type	Axial Leaded
-----------	--------------

Termination Features

Number of Terminations	2
Termination Type	Tinned Copper Leads



Mechanical Attachment

Mount Style	Axial Leaded
-------------	--------------

Dimensions

Dimensions	10.2 x 4 mm
------------	-------------

Usage Conditions

Operating Temperature Range	-55 – 125 °C
Temperature Coefficient	±5 ppm/°C

Packaging Features

Packaging Method	Ammo Packed
------------------	-------------

Product Compliance

[For compliance documentation, visit the product page on TE.com>](#)

EU RoHS Directive 2011/65/EU	Compliant
EU ELV Directive 2000/53/EC	Compliant
China RoHS 2 Directive MIIT Order No 32, 2016	No Restricted Materials Above Threshold
EU REACH Regulation (EC) No. 1907/2006	Current ECHA Candidate List: JUL 2019 (201) Candidate List Declared Against: JUL 2019 (201) Does not contain REACH SVHC
EU REACH Regulation (EC) No. 1907/2006	Current ECHA Candidate List: JUL 2019 (201) Candidate List Declared Against: JUL 2019 (201)
Halogen Content	Low Halogen - Br, Cl, F, I < 900 ppm per homogenous material. Also BFR/CFR/PVC Free
Solder Process Capability	Wave solder capable to 265°C

Product Compliance Disclaimer

This information is provided based on reasonable inquiry of our suppliers and represents our current actual knowledge based on the information they provided. This information is subject to change. The part numbers that TE has identified as EU RoHS compliant have a maximum concentration of 0.1% by weight in homogenous materials for lead, hexavalent chromium, mercury, PBB, PBDE, DBP, BBP, DEHP, DIBP, and 0.01% for cadmium, or qualify for an exemption to these limits as defined in the Annexes of Directive 2011/65/EU (RoHS2). Finished electrical and electronic equipment products will be CE marked as required by Directive 2011/65/EU. Components may not be CE marked. Additionally, the part numbers that TE has identified as EU ELV compliant have a maximum concentration of 0.1% by weight in homogenous materials for lead, hexavalent chromium, and mercury, and 0.01% for cadmium, or qualify for an exemption to these limits as defined in the Annexes of Directive 2000/53/EC (ELV). Regarding the REACH Regulations, TE's information on SVHC in articles for this part number is still based on the European Chemical Agency (ECHA) 'Guidance on requirements for substances in articles' (Version: 2, April 2011), applying the 0.1% weight on weight concentration threshold at the finished product level. TE is aware of the European Court of Justice ruling of September 10th, 2015 also known as O5A (Once An

Article Always An Article) stating that, in case of 'complex object', the threshold for a SVHC must be applied to both the product as a whole and simultaneously to each of the articles forming part of its composition. TE has evaluated this ruling based on the new ECHA "Guidance on requirements for substances in articles" (June 2017, version 4.0) and will be updating its statements accordingly.

Compatible Parts



TE Model / Part # 2176162-5
UPF25 0.1% 5PPM 120R



TE Model / Part # 2176162-7
UPF25 0.1% 5PPM 250R



TE Model / Part # 2176163-1
UPF50 0.1% 5PPM 100K



TE Model / Part # 2176163-2
UPF50 0.1% 5PPM 100R




TE Model / Part # 2176163-4
UPF50 0.1% 5PPM 10R



TE Model / Part # 2176163-6
UPF50 0.1% 5PPM 1K0



TE Model / Part # 2176163-9
UPF50 0.1% 5PPM 20R



TE Model / Part # 1-2176163-5
UPF50 0.1% 5PPM 500R



TE Model / Part # 2176162-1
UPF25 0.1% 5PPM 100K



TE Model / Part # 2176162-2
UPF25 0.1% 5PPM 100R



TE Model / Part # 2176162-3
UPF25 0.1% 5PPM 10K



TE Model / Part # 2176162-4
UPF25 0.1% 5PPM 10R



TE Model / Part # 2176162-6
UPF25 0.1% 5PPM 1K0



TE Model / Part # 2176162-8
UPF25 0.1% 5PPM 350R



TE Model / Part # 2176162-9
UPF25 0.1% 5PPM 50R



TE Model / Part # 1-2176162-0
UPF25 0.1% 5PPM 5K0





TE Model / Part # 2176163-5
UPF50 0.1% 5PPM 120R



TE Model / Part # 2176163-7
UPF50 0.1% 5PPM 200R




TE Model / Part # 2176163-8
UPF50 0.1% 5PPM 20K



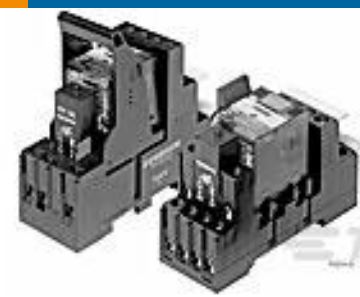
TE Model / Part # 1-2176163-0
UPF50 0.1% 5PPM 250R

Also in the Series | **Holsworthy UPF**



Through-Hole Resistors(28)

Customers Also Bought



TE Model / Part #1-1415075-1
PT3S7LB2



TE Model / Part #1-1879456-7
TE 2000W 22R 5% Bracket



TE Model / Part #3-1879447-7
TE 200W 1K0 5% Bracket




TE Model / Part #2-1879378-4
TLR 2512 3.0W R002 1% 50PPM 2K RL



TE Model / Part #2176163-1
UPF50 0.1% 5PPM 100K



TE Model / Part #2176163-6
UPF50 0.1% 5PPM 1K0



TE Model / Part #1-826656-3
13P AMPMODU II STIFT LEI



TE Model / Part #2-1879447-9
TE 200W 220R 5% Bracket



TE Model / Part #1-2176163-8
UPF50 0.1% 5PPM 5K0



TE Model / Part #2-1393203-4
V23148-A0107-A101



Documents

CAD Files

3D PDF

3D

Customer View Model

[ENG_CVM_CVM_2176163-3_BA.2d_dxf.zip](#)

English

Customer View Model

[ENG_CVM_CVM_2176163-3_BA.3d_igs.zip](#)

English

Customer View Model

[ENG_CVM_CVM_2176163-3_BA.3d_stp.zip](#)

English

Datasheets & Catalog Pages

[High Precision Metal Film Leaded Resistor - Type UPF Series](#)

English