



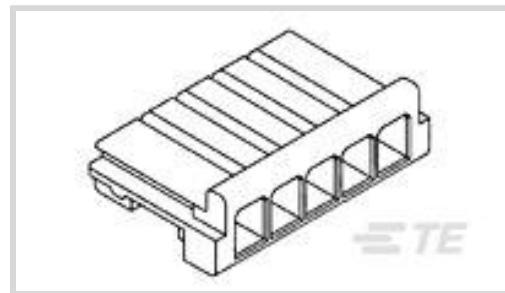
MIS

TE Part # 1-92009-2

TE Internal #: 1-92009-2

[View on TE.com >](#)

Connectors > PCB Connectors > Wire-to-Board Connectors > Wire-to-Board Connector Housings



Connector System: **Wire-to-Board**

Number of Positions: **12**

Centerline (Pitch): **2.5 mm [ .098 in ]**

Termination Method to Wire & Cable: **Crimp**

Number of Rows: **1**

**Features**

**Product Type Features**

Connector System	Wire-to-Board
Sealable	No
Connector & Contact Terminates To	Wire & Cable
Product Type	Connector
Connector Style	Receptacle
Connector Type	Housing
Glow Wire Rating	Standard Part - Not Glow Wire

**Configuration Features**

Number of Positions	12
Number of Rows	1

**Electrical Characteristics**

Operating Voltage	250 VAC/VDC
-------------------	-------------

**Contact Features**

Contact Base Material	Phosphor Bronze
Contact Current Rating (Max)	3 A
Contact Type	Socket

**Termination Features**

Termination Method to Wire & Cable	Crimp
------------------------------------	-------

**Mechanical Attachment**

Mating Connector Lock	Without
Mating Retention	With
Mating Retention Type	Latch
Connector Mounting Type	Cable Mount (Free-Hanging)
Mating Alignment Type	Polarization
Mating Alignment	With

### Housing Features

Centerline (Pitch)	2.5 mm[.098 in]
Housing Color	Natural
Housing Material	Nylon - GF

### Dimensions

Wire Size	.14 – .34 mm <sup>2</sup>
Height	4.5 mm[.177 in]
Length	32.5 mm[1.279 in]

### Usage Conditions

Operating Temperature Range	-25 – 105 °C[-13 – 221 °F]
-----------------------------	----------------------------

### Operation/Application

Circuit Application	Power & Signal
For Use With	Plug Housing

### Industry Standards

UL Flammability Rating	UL 94V-0
------------------------	----------

### Packaging Features

Packaging Quantity	500
Packaging Method	Loose Piece

### Product Compliance

[For compliance documentation, visit the product page on TE.com>](#)

EU RoHS Directive 2011/65/EU	Compliant
EU ELV Directive 2000/53/EC	Compliant
China RoHS 2 Directive MIIT Order No 32, 2016	No Restricted Materials Above Threshold
EU REACH Regulation (EC) No. 1907/2006	Current ECHA Candidate List: JAN 2019 (197)



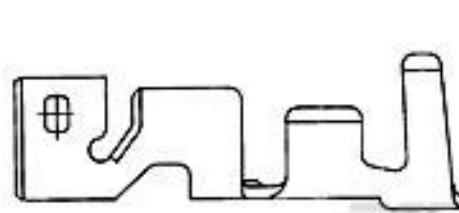
Candidate List Declared Against: OCT 2008 (15)

Halogen Content	Low Halogen - Br, Cl, F, I < 900 ppm per homogenous material. Also BFR/CFR/PVC Free
Solder Process Capability	Not applicable for solder process capability

Product Compliance Disclaimer


This information is provided based on reasonable inquiry of our suppliers and represents our current actual knowledge based on the information they provided. This information is subject to change. The part numbers that TE has identified as EU RoHS compliant have a maximum concentration of 0.1% by weight in homogenous materials for lead, hexavalent chromium, mercury, PBB, PBDE, DBP, BBP, DEHP, DIBP, and 0.01% for cadmium, or qualify for an exemption to these limits as defined in the Annexes of Directive 2011/65/EU (RoHS2). Finished electrical and electronic equipment products will be CE marked as required by Directive 2011/65/EU. Components may not be CE marked. Additionally, the part numbers that TE has identified as EU ELV compliant have a maximum concentration of 0.1% by weight in homogenous materials for lead, hexavalent chromium, and mercury, and 0.01% for cadmium, or qualify for an exemption to these limits as defined in the Annexes of Directive 2000/53/EC (ELV). Regarding the REACH Regulations, TE's information on SVHC in articles for this part number is still based on the European Chemical Agency (ECHA) 'Guidance on requirements for substances in articles' (Version: 2, April 2011), applying the 0.1% weight on weight concentration threshold at the finished product level. TE is aware of the European Court of Justice ruling of September 10th, 2015 also known as O5A (Once An Article Always An Article) stating that, in case of 'complex object', the threshold for a SVHC must be applied to both the product as a whole and simultaneously to each of the articles forming part of its composition. TE has evaluated this ruling based on the new ECHA "Guidance on requirements for substances in articles" (June 2017, version 4.0) and will be updating its statements accordingly.

### Compatible Parts

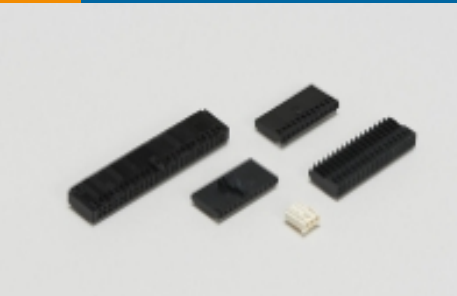


TE Part # 92007-1  
CMPSNP CONT.  
METINTERCONN SYS.

### Also in the Series | MIS



Wire-to-Board Connector Contacts(3)



Wire-to-Board Connector Housings(22)



Wire-to-Board Headers & Receptacles(23)

### Customers Also Bought



TE Part #4-928247-2  
2P ST-TIMER GEH



TE Part #1217917-2  
FASTON 250 14-18AWG  
BR



TE Part #1-521253-3  
PL MKIII & FASTON 250  
HSG 2P NYLON GREEN



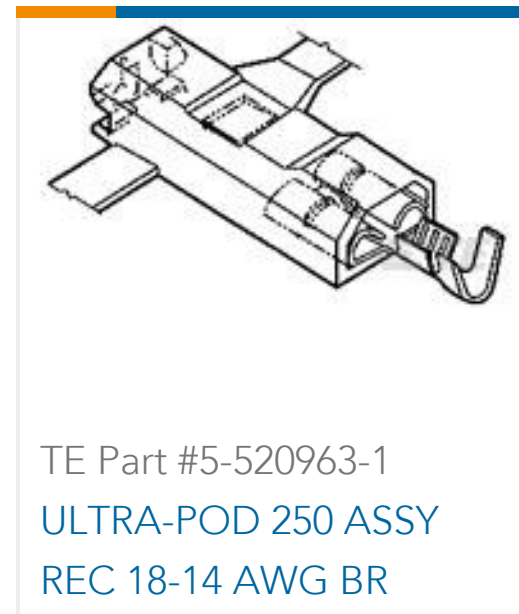
TE Part #770894-6  
06P SL156 HSG W/THRU  
BD LATCH



TE Part #1738494-1  
FASTON 250 HSG  
INFINITE SW NYLON NAT



TE Part #1969117-1  
HSG,3P,RAST 5 CRIMP R  
/A,SPECIAL



TE Part #5-520963-1  
ULTRA-POD 250 ASSY  
REC 18-14 AWG BR



TE Part #521081-1  
ULTRA-POD 250 ASSY  
REC 18-14 AWG BR



TE Part #521823-1  
PL 187 HOUSING REC  
NYLON VO



TE Part #6-1123722-9  
3.96 EP PLUG HSG 9P  
(GREEN)

## Documents

### Product Drawings

[RCPT HSG METRIC INTERCONN SYS](#)

English

### CAD Files

Customer View Model

[ENG\\_CVM\\_1-92009-2\\_C.2d\\_dxf.zip](#)

English

Customer View Model

[ENG\\_CVM\\_1-92009-2\\_C.3d\\_igs.zip](#)

English

Customer View Model

[ENG\\_CVM\\_1-92009-2\\_C.3d\\_stp.zip](#)

English

[3D PDF](#)

English

### Product Specifications

[Application Specification](#)



English

[Crimp-Snap Metric Interconnect System](#)

English