

POST HDR ASSY 40P MULTI TAP ✓ ACTIVE

AMP

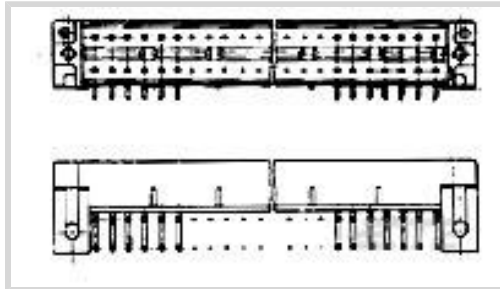
TE Part # 172457-2

TE Internal #: 172457-2

[View on TE.com >](#)



Connectors > Power Connectors > Rectangular Power > Rectangular Power Connectors



Product Type: **Header**

Number of Positions: **40**

Centerline (Pitch): **5.08 mm [.2 in]**

Connector & Contact Terminates To: **Printed Circuit Board**

UL Flammability Rating: **UL 94V-0**

Features

Product Type Features

Product Type	Header
Connector & Contact Terminates To	Printed Circuit Board
Contact Type	Pin

Configuration Features

Number of Positions	40
PCB Mount Orientation	Right Angle
Number of Rows	2

Electrical Characteristics

Operating Voltage	350 VAC
-------------------	---------

Contact Features

Contact Current Rating (Max)	6 A
Contact Termination Area Plating Material	Gold, Tin
Contact Mating Area Plating Material	Gold
Contact Mating Area Plating Thickness	.76 μ m
Contact Termination Area Plating Thickness	2 μ m

Termination Features

Termination Post & Tail Length	3.5 mm [.138 in]
--------------------------------	------------------

Mechanical Attachment

Strain Relief	Without
---------------	---------



Housing Features

Centerline (Pitch)	5.08 mm[.2 in]
UL Flammability Rating	UL 94V-0
Housing Color	Black
Housing Material	PBT GF

Dimensions

Height	20.5 mm[.807 in]
Length	121.9 mm[4.799 in]

Usage Conditions

Operating Temperature Range	-55 – 105 °C
-----------------------------	--------------

Packaging Features

Packaging Method	Box
Packaging Quantity	15

Other

For Use With	Receptacle Assembly
--------------	---------------------

Product Compliance

[For compliance documentation, visit the product page on TE.com>](#)

EU RoHS Directive 2011/65/EU	Compliant
EU ELV Directive 2000/53/EC	Compliant
China RoHS 2 Directive MIIT Order No 32, 2016	No Restricted Materials Above Threshold
EU REACH Regulation (EC) No. 1907/2006	Current ECHA Candidate List: JAN 2019 (197) Candidate List Declared Against: JUN 2018 (191)
Halogen Content	Low Halogen - Br, Cl, F, I < 900 ppm per homogenous material. Also BFR/CFR/PVC Free
Solder Process Capability	Wave solder capable to 240°C

Product Compliance Disclaimer

This information is provided based on reasonable inquiry of our suppliers and represents our current actual knowledge based on the information they provided. This information is subject to change. The part numbers that TE has identified as EU RoHS compliant have a maximum concentration of 0.1% by weight in homogenous materials for lead, hexavalent chromium, mercury, PBB, PBDE, DBP, BBP, DEHP, DIBP, and 0.01% for cadmium, or qualify for an exemption to these limits as defined in the Annexes of Directive 2011/65/EU (RoHS2). Finished electrical and electronic equipment products will be CE marked as required by Directive 2011/65/EU. Components may not be CE marked. Additionally, the part numbers that TE has identified as EU ELV compliant have a maximum concentration of 0.1% by weight in homogenous



materials for lead, hexavalent chromium, and mercury, and 0.01% for cadmium, or qualify for an exemption to these limits as defined in the Annexes of Directive 2000/53/EC (ELV). Regarding the REACH Regulations, TE's information on SVHC in articles for this part number is still based on the European Chemical Agency (ECHA) 'Guidance on requirements for substances in articles' (Version: 2, April 2011), applying the 0.1% weight on weight concentration threshold at the finished product level. TE is aware of the European Court of Justice ruling of September 10th, 2015 also known as O5A (Once An Article Always An Article) stating that, in case of 'complex object', the threshold for a SVHC must be applied to both the product as a whole and simultaneously to each of the articles forming part of its composition. TE has evaluated this ruling based on the new ECHA "Guidance on requirements for substances in articles" (June 2017, version 4.0) and will be updating its statements accordingly.

Customers Also Bought



TE Part #3-917657-3
DYNAMIC D-3200 HDR
ASSY 10P



TE Part #172450-2
PLUG HSG 40P MULTI TAP



TE Part #172378-3
MULT-TAP PLUG ASSY 36P



TE Part #172450-3
PLUG HSG 72P MULTI TAP



TE Part #172960-4
JACK SCREW MULTI-TAP
CONN



TE Part #1-171432-6
FF 312 REC HSG 6P
NYLON BLUE



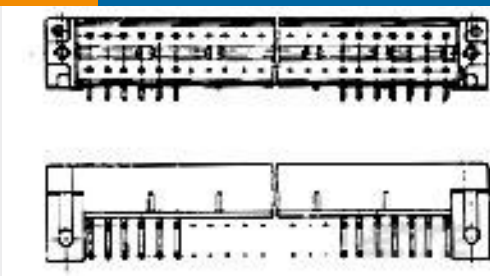
TE Part #1-171432-9
FF 312 REC HSG 6P
NYLON BLACK



TE Part #171076-1
75P SHIELD ASSY



TE Part #172378-1
PLUG ASSY MULTI-TAP



TE Part #172457-1
POST HDR ASSY 24P
MULTI TAP

Documents

Product Drawings

POST HDR ASSY 40P MULTI TAP

Japanese

Product Specifications

I/O Connector Series, Multi-Tap Connector

English

Product Specification

English



[Agency Approvals](#)

[Agency Approval Document](#)

English