



AMPMODU

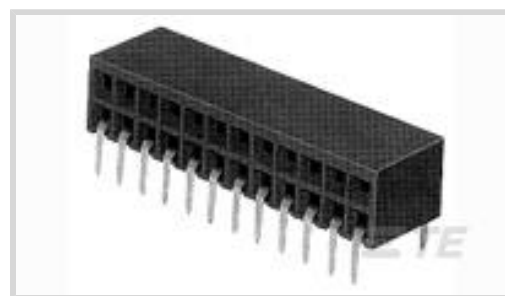
TE Part # 87961-4

TE Internal #: 87961-4

Mil-Spec: [M55302/128-AD1A]

[View on TE.com >](#)

Connectors > PCB Connectors > Board-to-Board Connectors > Board-to-Board Headers & Receptacles



PCB Connector Assembly Type: **PCB Mount Receptacle**

PCB Mount Orientation: **Right Angle**

Number of Positions: **10**

Centerline (Pitch): **2.54 mm [.1 in]**

Row-to-Row Spacing: **2.54 mm [.1 in]**

Features

Product Type Features

Series	AMPMODU, MOD II
PCB Connector Assembly Type	PCB Mount Receptacle
Sealable	No
Connector & Contact Terminates To	Printed Circuit Board

Configuration Features

Number of Rows	2
Stackable	No
PCB Mount Orientation	Right Angle
Number of Positions	10

Body Features

Connector Profile	Standard
-------------------	----------

Contact Features

Contact Protection Type	Closed Entry Housing
PCB Contact Termination Area Plating Material Thickness	1.27 μ m[50 μ in]
Contact Configuration	Short Point
PCB Contact Termination Area Plating Material	Gold Flash
Contact Base Material	Phosphor Bronze
Contact Mating Area Plating Material	Gold
Contact Mating Area Plating Material Thickness	1.27 μ m[50 μ in]



Contact Type	Socket
--------------	--------

Termination Features

Termination Post & Tail Length	2.92 mm[.115 in]
Termination Method to Printed Circuit Board	Through Hole - Solder
Termination Post Length	2.92 mm[.115 in]

Mechanical Attachment

PCB Mount Retention	Without
---------------------	---------

Housing Features

Mating Entry Location	Side
Centerline (Pitch)	2.54 mm[.1 in]
Housing Color	Natural
Housing Material	Polyphenylene Sulfide (PPS)

Dimensions

Connector Height	6.05 mm[.238 in]
Row-to-Row Spacing	2.54 mm[.1 in]
PCB Thickness (Recommended)	1.57 mm
Tail Length	2.92 mm[.114 in]

Usage Conditions

High Temperature Compatible	No
-----------------------------	----

Operation/Application

Solder Process Feature	Board Standoff
------------------------	----------------

Packaging Features

Packaging Quantity	185
Packaging Method	Tube

Product Compliance

[For compliance documentation, visit the product page on TE.com>](#)

EU RoHS Directive 2011/65/EU	Compliant
EU ELV Directive 2000/53/EC	Compliant
China RoHS 2 Directive MIIT Order No 32, 2016	No Restricted Materials Above Threshold
EU REACH Regulation (EC) No. 1907/2006	Current ECHA Candidate List: JAN 2019 (197)



Candidate List Declared Against: JAN 2019
 (197)

Halogen Content

Not Yet Reviewed for halogen content

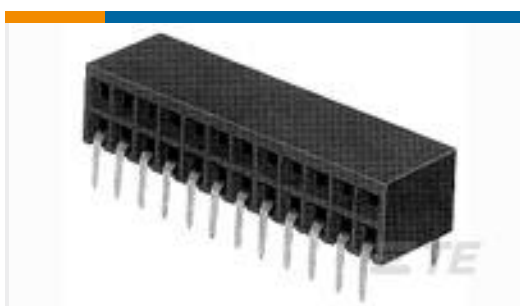
Solder Process Capability

Wave solder capable to 265°C

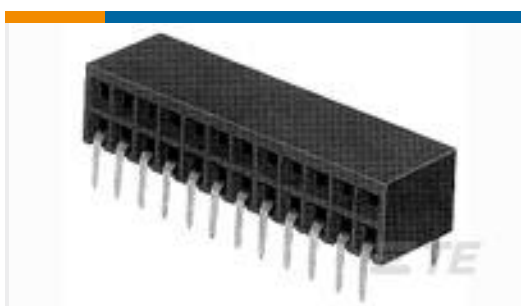
Product Compliance Disclaimer

This information is provided based on reasonable inquiry of our suppliers and represents our current actual knowledge based on the information they provided. This information is subject to change. The part numbers that TE has identified as EU RoHS compliant have a maximum concentration of 0.1% by weight in homogenous materials for lead, hexavalent chromium, mercury, PBB, PBDE, DBP, BBP, DEHP, DIBP, and 0.01% for cadmium, or qualify for an exemption to these limits as defined in the Annexes of Directive 2011/65/EU (RoHS2). Finished electrical and electronic equipment products will be CE marked as required by Directive 2011/65/EU. Components may not be CE marked. Additionally, the part numbers that TE has identified as EU ELV compliant have a maximum concentration of 0.1% by weight in homogenous materials for lead, hexavalent chromium, and mercury, and 0.01% for cadmium, or qualify for an exemption to these limits as defined in the Annexes of Directive 2000/53/EC (ELV). Regarding the REACH Regulations, TE's information on SVHC in articles for this part number is still based on the European Chemical Agency (ECHA) 'Guidance on requirements for substances in articles' (Version: 2, April 2011), applying the 0.1% weight on weight concentration threshold at the finished product level. TE is aware of the European Court of Justice ruling of September 10th, 2015 also known as O5A (Once An Article Always An Article) stating that, in case of 'complex object', the threshold for a SVHC must be applied to both the product as a whole and simultaneously to each of the articles forming part of its composition. TE has evaluated this ruling based on the new ECHA "Guidance on requirements for substances in articles" (June 2017, version 4.0) and will be updating its statements accordingly.

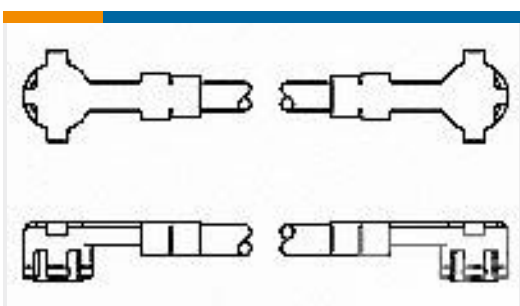
Customers Also Bought



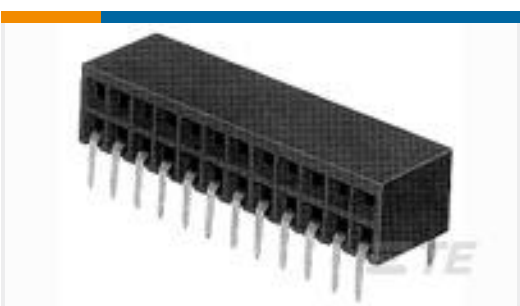
TE Part #1-87961-5
 32 MOD II HORZ DR CE
 100CL/115



TE Part #1-87961-7
 36 MODII HORZ DR CE
 100CL/115



TE Part #1084305-1
 9960 1090 24



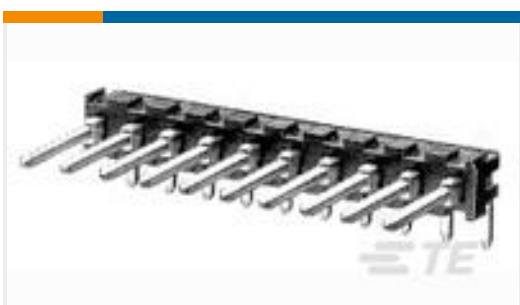
TE Part #2-87961-0
 42 MOD II HORZ DR CE
 100CL/115



TE Part #1052991-1
 2054 1610 02



TE Part #2-332070-1
 SOCKET,MIN-SPR SN-AU
 SER-4



TE Part #87232-9
 09 MODII HDR SRRA
 UNSHRD .100



TE Part #YDTS20F25-
 35PAV001
 RECP ASSY



TE Part #YDTS20W15-19SAV001
RECP ASSY



TE Part #1617127-6
JM5C-18XP = M39016/11-040P

Documents

Product Drawings

[10 MOD II HORZ DR CE 100CL/115](#)

English

CAD Files

[3D PDF](#)

3D

Customer View Model

[ENG_CVM_CVM_87961-4_N.2d_dxf.zip](#)

English

Customer View Model

[ENG_CVM_CVM_87961-4_N.3d_igs.zip](#)

English

Customer View Model

[ENG_CVM_CVM_87961-4_N.3d_stp.zip](#)

English

Datasheets & Catalog Pages

[Products for Aerospace and Defense](#)

English