

# TPF11CGRA0=SW P/B NOR-OPEN ✓ ACTIVE

Alcoswitch | Alcoswitch TPF

TE Part # 7-1437572-2

TE Internal #: TPF11CGRA0

[View on TE.com >](#)



Relays, Contactors & Switches > Switches > Pushbutton Switches



Configuration (Pole-Throw): **Single Pole - Single Throw**

Product Type: **Switch**

Number of Actuators: **Single**

Actuator Profile: **Extended**

Bushing Style: **Threaded**

## Features

### Product Type Features

Switch Type	Pushbutton
Dust Proof	No
Product Type	Switch
Illuminated	No
Actuator Style	Round

### Configuration Features

ESD Grounding Terminal	Without
Ganged	No
Configuration (Pole-Throw)	Single Pole - Single Throw
Number of Actuators	Single
Snap Action	Without
Support Bracket	Without
Tactile	No
Operating Function	NO, Momentary

### Electrical Characteristics

Voltage Rating	20 VDC
----------------	--------

### Body Features

Actuator Force	50 – 400 g[1.77 – 14.12 oz]
Case Material	Polyester



Actuator Material	Polyamide
Actuator Profile	Extended
Bushing Style	Threaded
Bushing Thread Size	1/4-40
Actuator Color	Black

**Contact Features**

Contact Base Material	Copper Alloy
Switch Contact Plating Material	Gold over Nickel

**Termination Features**

Termination Type	Printed Circuit
------------------	-----------------

**Mechanical Attachment**

Mounting Angle	Right Angle
Screw & Hole Thread Size	1/4-40 UNS-2A
Mounting Type	Through Hole

**Housing Features**

Low Profile	No
Process Sealed	No

**Dimensions**

Actuator Length	4.01 mm[.158 in]
Button Width	3.35 mm[.132 in]

**Usage Conditions**

Temperature Rating	High
--------------------	------

**Packaging Features**

Packaging Method	Bulk
------------------	------

**Other**

Comment	No center terminal
---------	--------------------

**Product Compliance**

[For compliance documentation, visit the product page on TE.com>](#)

EU RoHS Directive 2011/65/EU	Not Compliant
EU ELV Directive 2000/53/EC	Not Compliant
China RoHS 2 Directive MIIT Order No 32, 2016	Restricted Materials Above Threshold

EU REACH Regulation (EC) No. 1907/2006

Current ECHA Candidate List: JAN 2019 (197)

Candidate List Declared Against: JUN 2016 (169)

Halogen Content

Not Yet Reviewed for halogen content

Solder Process Capability

Wave solder capable to 265°C

Product Compliance Disclaimer

This information is provided based on reasonable inquiry of our suppliers and represents our current actual knowledge based on the information they provided. This information is subject to change. The part numbers that TE has identified as EU RoHS compliant have a maximum concentration of 0.1% by weight in homogenous materials for lead, hexavalent chromium, mercury, PBB, PBDE, DBP, BBP, DEHP, DIBP, and 0.01% for cadmium, or qualify for an exemption to these limits as defined in the Annexes of Directive 2011/65/EU (RoHS2). Finished electrical and electronic equipment products will be CE marked as required by Directive 2011/65/EU. Components may not be CE marked. Additionally, the part numbers that TE has identified as EU ELV compliant have a maximum concentration of 0.1% by weight in homogenous materials for lead, hexavalent chromium, and mercury, and 0.01% for cadmium, or qualify for an exemption to these limits as defined in the Annexes of Directive 2000/53/EC (ELV). Regarding the REACH Regulations, TE's information on SVHC in articles for this part number is still based on the European Chemical Agency (ECHA) 'Guidance on requirements for substances in articles' (Version: 2, April 2011), applying the 0.1% weight on weight concentration threshold at the finished product level. TE is aware of the European Court of Justice ruling of September 10th, 2015 also known as O5A (Once An Article Always An Article) stating that, in case of 'complex object', the threshold for a SVHC must be applied to both the product as a whole and simultaneously to each of the articles forming part of its composition. TE has evaluated this ruling based on the new ECHA "Guidance on requirements for substances in articles" (June 2017, version 4.0) and will be updating its statements accordingly.

Also in the Series | **Alcoswitch TPF**



Pushbutton Switches(14)



RF Connectors(5)

Customers Also Bought



TE Part #282888-7  
TERMI-BLOK PCB 9 POS.  
5 mm PIT



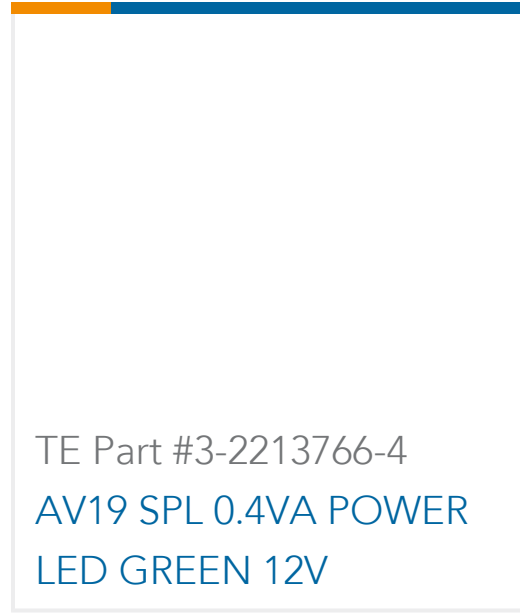
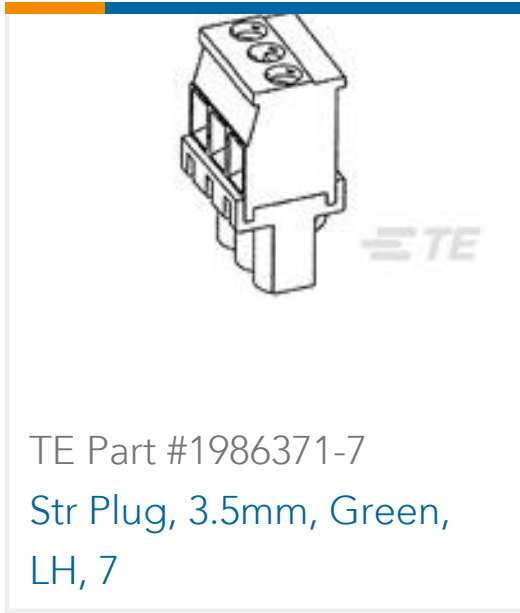
TE Part #T1329160120-000  
H16A-TG-M20



TE Part #T1349160120-000  
H16A-TGH-M20



TE Part #1099898-4  
COMP TERM, CU #2 S  
BARREL



## Documents

### Product Drawings

[TPF11CGRA0=SW P/B NOR-OPEN](#)

English

### Datasheets & Catalog Pages

[TP Series Data Sheet](#)

English