

B/A REELED DRST HDR ASSY, SN ✓ ACTIVE

AMPMODU | [AMPMODU Headers](#)

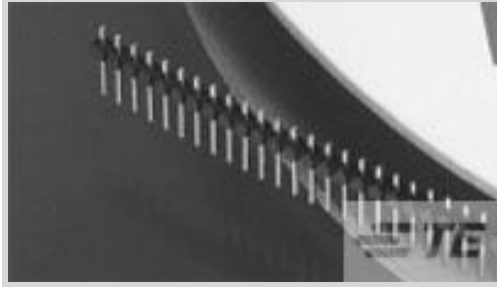
TE Part # 146851-2

TE Internal #: 146851-2

[View on TE.com >](#)



Connectors > PCB Connectors > Multiple Configuration PCB Connectors > Multiple Config PCB Headers & Receptacles



PCB Connector Assembly Type: **PCB Mount Header**

PCB Mount Orientation: **Vertical**

Number of Positions: **20**

Centerline (Pitch): **2.54 mm [.1 in]**

Contact Type: **Pin**

Features

Product Type Features

PCB Connector Assembly Type	PCB Mount Header
Connector & Contact Terminates To	Printed Circuit Board
Header Type	Breakaway

Configuration Features

Connector Contact Load Condition	Fully Loaded
PCB Mount Orientation	Vertical
Number of Positions	20
Number of Rows	2

Body Features

Connector Profile	Standard
Post Size	.64 mm[.025 in]

Contact Features

	100 – 200 μ in
Mating Post Length	5.84 mm[.23 in]
Contact Mating Area Plating Material	Tin
Contact Shape	Square
Contact Underplating Material	Nickel
PCB Contact Termination Area Plating Material	Tin-Lead
Contact Base Material	Copper Alloy

Contact Type	Pin
--------------	-----

Termination Features

Termination Post & Tail Length	2.79 mm[.11 in]
Termination Method to Printed Circuit Board	Through Hole

Mechanical Attachment

Strain Relief	Without
Panel Mount Feature	Without
PCB Mount Retention	Without

Housing Features

Housing Material	Thermoplastic
Centerline (Pitch)	2.54 mm[.1 in]
Housing Color	Black

Dimensions

Row-to-Row Spacing	2.54 mm[.1 in]
--------------------	----------------

Usage Conditions

High Temperature Housing	Yes
Operating Temperature Range	-65 – 105 °C

Operation/Application

Solder Process Feature	Board Standoff
------------------------	----------------

Industry Standards

Approved Standards	CSA LR7189, UL E28476
UL Flammability Rating	UL 94V-0

Packaging Features

Packaging Quantity	25000
Packaging Method	Box

Product Compliance

[For compliance documentation, visit the product page on TE.com>](#)

EU RoHS Directive 2011/65/EU	Compliant
EU ELV Directive 2000/53/EC	Compliant
China RoHS 2 Directive MIIT Order No 32, 2016	No Restricted Materials Above Threshold
EU REACH Regulation (EC) No. 1907/2006	

Current ECHA Candidate List: JAN 2019
(197)
Candidate List Declared Against: JUN 2018
(191)

Halogen Content	Low Halogen - Br, Cl, F, I < 900 ppm per homogenous material. Also BFR/CFR/PVC Free
-----------------	---

Solder Process Capability	Wave solder capable to 240°C
---------------------------	------------------------------

Product Compliance Disclaimer

This information is provided based on reasonable inquiry of our suppliers and represents our current actual knowledge based on the information they provided. This information is subject to change. The part numbers that TE has identified as EU RoHS compliant have a maximum concentration of 0.1% by weight in homogenous materials for lead, hexavalent chromium, mercury, PBB, PBDE, DBP, BBP, DEHP, DIBP, and 0.01% for cadmium, or qualify for an exemption to these limits as defined in the Annexes of Directive 2011/65/EU (RoHS2). Finished electrical and electronic equipment products will be CE marked as required by Directive 2011/65/EU. Components may not be CE marked. Additionally, the part numbers that TE has identified as EU ELV compliant have a maximum concentration of 0.1% by weight in homogenous materials for lead, hexavalent chromium, and mercury, and 0.01% for cadmium, or qualify for an exemption to these limits as defined in the Annexes of Directive 2000/53/EC (ELV). Regarding the REACH Regulations, TE's information on SVHC in articles for this part number is still based on the European Chemical Agency (ECHA) 'Guidance on requirements for substances in articles' (Version: 2, April 2011), applying the 0.1% weight on weight concentration threshold at the finished product level. TE is aware of the European Court of Justice ruling of September 10th, 2015 also known as O5A (Once An Article Always An Article) stating that, in case of 'complex object', the threshold for a SVHC must be applied to both the product as a whole and simultaneously to each of the articles forming part of its composition. TE has evaluated this ruling based on the new ECHA "Guidance on requirements for substances in articles" (June 2017, version 4.0) and will be updating its statements accordingly.

Also in the Series | **AMPMODU Headers**



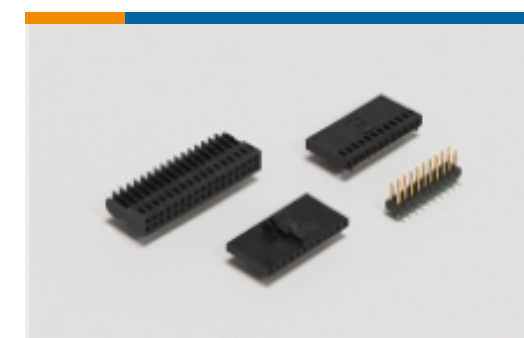
Automotive, Truck, Bus, & Off-Road Headers(2)



Board-to-Board Headers & Receptacles(1571)



Multiple Configuration PCB Connector Contacts (75)



Multiple Configuration PCB Connector Housings (3)



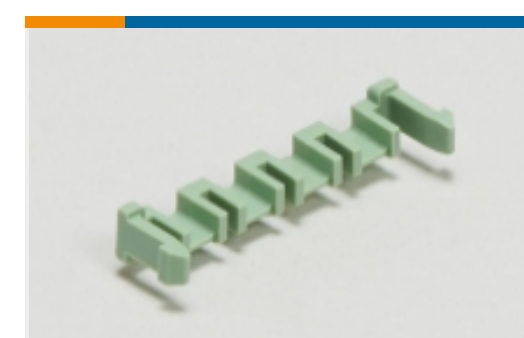
Multiple Configuration PCB Headers & Receptacles(4201)



PCB Connector Mounting (1)



PCB Connector Shrouds(1)

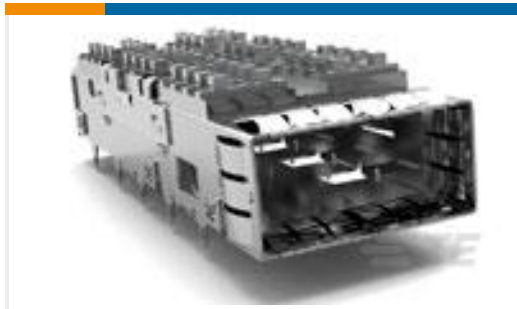


PCB Latches, Locks & Retainers(2)

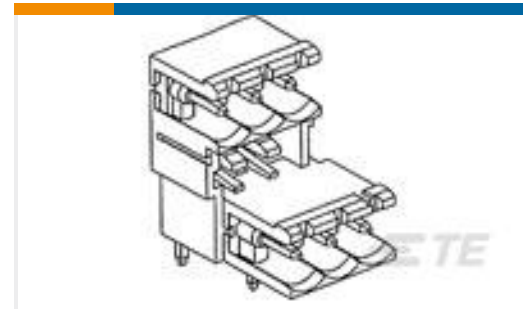


Standard Rectangular
Connectors(1)

Customers Also Bought



TE Part #2170395-1
Cage Assy PCI Hsink QSFP
Behind Bezel



TE Part #284053-3
3P TERMI-BLOK HDR
90,5,08MM



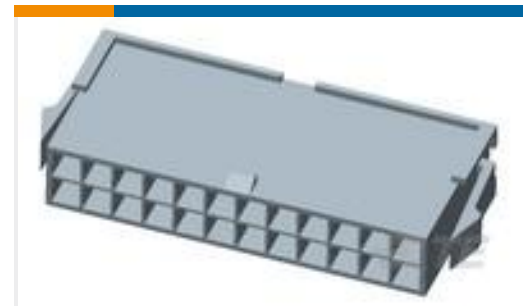
TE Part #4-103328-2
06 MODII HDR DRST B/A .
100CL



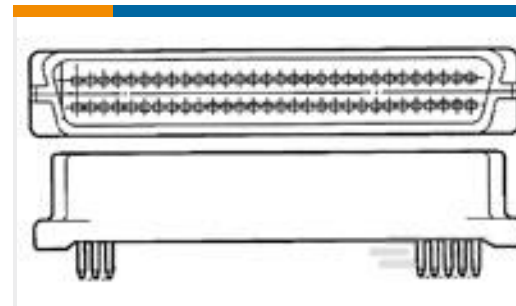
TE Part #4-103795-0
80 MODII HDR DRRA B/A .
100CL



TE Part #1-84983-6
1mm FFC DIP H ASSY 16P
NAT(TB)



TE Part #2-1969599-4
24P PM PLUG VAL-U-
LOKV2



TE Part #6-5173280-4
AMPLIMITE.050 CAP
ASS'Y (V) 60



TE Part #8-2176370-9
RQ 0603 3K57 0.1% 10PPM
5K RL



TE Part #2-2176380-4
RQ 0805 2K0 0.1% 10PPM
5K RL



TE Part #8-2176381-2
RQ 0805 86K6 0.1% 10PPM
5K RL

Documents

Product Drawings

B/A REELED DRST HDR ASSY, SN

English

CAD Files

3D PDF

3D

Customer View Model

ENG_CVM_CVM_146851-2_F_c-146851-2-f.2d_dxf.zip



English

Customer View Model

[ENG_CVM_CVM_146851-2_F_c-146851-2-f.3d_igs.zip](#)

English

Customer View Model

[ENG_CVM_CVM_146851-2_F_c-146851-2-f.3d_stp.zip](#)

English

Agency Approvals

[UL Report](#)

English