



Terminals & Splices > PCB Terminals



Terminal & Splice Type: **Tab**

Terminal Type: **Tab**

Mating Tab Width: **6.35 mm [.25 in]**

Mating Tab Thickness: **.81 mm [.032 in]**

Termination Method: **Through Hole**

Features

Product Type Features

Mounting Style	Stud Mount
Terminates To	Printed Circuit Board

Configuration Features

Stud Hole	Yes
Terminal Angle	Straight

Body Features

Plating Material	Unplated
------------------	----------

Contact Features

Terminal & Splice Type	Tab
Terminal Type	Tab
Underplating Material	Brass
Terminal Size	6.35
Terminal Orientation	Straight

Termination Features

Termination Method	Through Hole
--------------------	--------------

Dimensions

Stud Diameter	4.1 mm[.161 in]
Mating Tab Width	6.35 mm[.25 in]
Mating Tab Thickness	.81 mm[.032 in]

Receptacle Terminal Stock Thickness	.81 mm[.032 in]
-------------------------------------	-----------------

Usage Conditions

Operating Temperature Range	-30 – 110 °C[-22 – 230 °F]
-----------------------------	----------------------------

Packaging Features

Packaging Quantity	500
Packaging Method	Box

Product Compliance

[For compliance documentation, visit the product page on TE.com>](#)

EU RoHS Directive 2011/65/EU	Compliant
EU ELV Directive 2000/53/EC	Compliant
China RoHS 2 Directive MIIT Order No 32, 2016	No Restricted Materials Above Threshold
EU REACH Regulation (EC) No. 1907/2006	Current ECHA Candidate List: JAN 2019 (197) Candidate List Declared Against: JAN 2019 (197)
Halogen Content	Low Halogen - Br, Cl, F, I < 900 ppm per homogenous material. Also BFR/CFR/PVC Free
Solder Process Capability	Not applicable for solder process capability

Product Compliance Disclaimer

This information is provided based on reasonable inquiry of our suppliers and represents our current actual knowledge based on the information they provided. This information is subject to change. The part numbers that TE has identified as EU RoHS compliant have a maximum concentration of 0.1% by weight in homogenous materials for lead, hexavalent chromium, mercury, PBB, PBDE, DBP, BBP, DEHP, DIBP, and 0.01% for cadmium, or qualify for an exemption to these limits as defined in the Annexes of Directive 2011/65/EU (RoHS2). Finished electrical and electronic equipment products will be CE marked as required by Directive 2011/65/EU. Components may not be CE marked. Additionally, the part numbers that TE has identified as EU ELV compliant have a maximum concentration of 0.1% by weight in homogenous materials for lead, hexavalent chromium, and mercury, and 0.01% for cadmium, or qualify for an exemption to these limits as defined in the Annexes of Directive 2000/53/EC (ELV). Regarding the REACH Regulations, TE's information on SVHC in articles for this part number is still based on the European Chemical Agency (ECHA) 'Guidance on requirements for substances in articles' (Version: 2, April 2011), applying the 0.1% weight on weight concentration threshold at the finished product level. TE is aware of the European Court of Justice ruling of September 10th, 2015 also known as O5A (Once An Article Always An Article) stating that, in case of 'complex object', the threshold for a SVHC must be applied to both the product as a whole and simultaneously to each of the articles forming part of its composition. TE has evaluated this ruling based on the new ECHA "Guidance on requirements for substances in articles" (June 2017, version 4.0) and will be updating its statements accordingly.

Also in the Series | **FASTON 250**



Crimp Terminal Housings
(126)



Insulation Boots & Sleeves
(16)



Magnet Wire Terminals(1)



PCB Terminals(140)

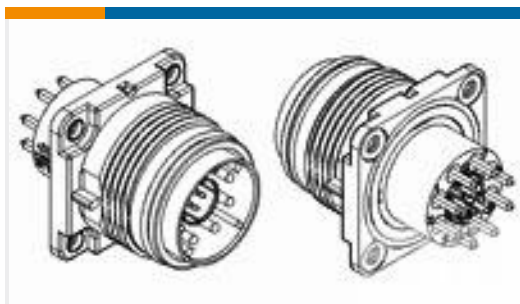


Quick Disconnects(464)



Splices(4)

Customers Also Bought



TE Part #1108846-1
HC26.Base Housing-PCB



TE Part #281696-6
HEADER HE13 STRAIGHT
6 P



TE Part #1614353-9
RN 0603 2K67 0.1% 10PPM
CUT LENGTH



TE Part #2-1879207-7
RN 0603 470R 0.1% 10PPM
CUT LENGTH



TE Part #1623722-4
SBCH 11 33R 5%



TE Part #2-1393203-8
V23148-A1007-A101



TE Part #1-1542001-2
HTS264NF-D=HS ASSY
PPA CLIP



TE Part #1775615-1
Triple Stack USB A type,G
/F, black



TE Part #5415633-1
RTANG BNC PCB JACK -
75 OHM



TE Part #1614352-1
RN 0603 20K 0.1% 10PPM
5K RL

Documents



Product Drawings

FASTON 250 TAB

English

CAD Files

Customer View Model

[ENG_CVM_CVM_141878-1_N.2d_dxf.zip](#)

English

3D PDF

3D

Customer View Model

[ENG_CVM_CVM_141878-1_N.3d_igs.zip](#)

English

Customer View Model

[ENG_CVM_CVM_141878-1_N.3d_stp.zip](#)

English

Product Environmental Compliance

TE Material Declaration

English