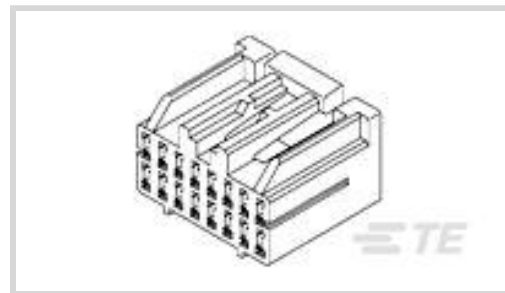




Connectors > Automotive, Truck, Bus, & Off-Road Connectors > Connector Housings > MULTILOCK, CONNECTOR HOUSING



Connector Style: **Housing for female terminals**
 Mating Tab Width: **1 mm [.039 in]**
 Connector System: **Wire-to-Board, Wire-to-Device**
 Number of Positions: **16**
 Centerline (Pitch): **3 mm [.118 in]**

[All MULTILOCK, CONNECTOR HOUSING \(577\)](#)

Features

Product Type Features

Connector Style	Housing for female terminals
Connector System	Wire-to-Board, Wire-to-Device
Sealable	No
Hybrid Connector	Yes
Primary Locking Feature	Integrated in Housing
Strain Relief	No
Row-to-Row Spacing	5.2 mm [.205 in]

Configuration Features

Number of Positions	16
Number of Rows	2

Electrical Characteristics

Nominal Voltage Architecture	12 V
Operating Voltage	12 VDC

Body Features

Cable Exit Angle	180°
Body Material	PBT
Color	White

Contact Features

Mating Tab Width	1 mm[.039 in]
------------------	---------------

Mechanical Attachment

Terminal Position Assurance	Yes
Mounting Feature	Without
Polarized	Yes

Housing Features

Centerline (Pitch)	3 mm[.118 in]
--------------------	---------------

Dimensions

Height	17.3 mm[.681 in]
Length	21 mm[.827 in]
Width	25 mm[.984 in]

Usage Conditions

Operating Temperature Range	-30 – 105 °C[-22 – 221 °F]
-----------------------------	----------------------------

Operation/Application

Circuit Application	Signal
---------------------	--------

Industry Standards

UL Flammability Rating	UL 94-HB
------------------------	----------

Packaging Features

Packaging Method	Bag
Packaging Quantity	100

Other

Serviceable	Yes
Connector Position Assurance Capable	No

Product Compliance

[For compliance documentation, visit the product page on TE.com>](#)

EU RoHS Directive 2011/65/EU	Compliant
EU ELV Directive 2000/53/EC	Compliant
China RoHS 2 Directive MIIT Order No 32, 2016	No Restricted Materials Above Threshold
EU REACH Regulation (EC) No. 1907/2006	Current ECHA Candidate List: JAN 2019 (197)

Candidate List Declared Against: JAN 2019 (197)

Halogen Content

Low Halogen - Br, Cl, F, I < 900 ppm per homogenous material. Also BFR/CFR/PVC Free

Solder Process Capability

Not applicable for solder process capability

Product Compliance Disclaimer

This information is provided based on reasonable inquiry of our suppliers and represents our current actual knowledge based on the information they provided. This information is subject to change. The part numbers that TE has identified as EU RoHS compliant have a maximum concentration of 0.1% by weight in homogenous materials for lead, hexavalent chromium, mercury, PBB, PBDE, DBP, BBP, DEHP, DIBP, and 0.01% for cadmium, or qualify for an exemption to these limits as defined in the Annexes of Directive 2011/65/EU (RoHS2). Finished electrical and electronic equipment products will be CE marked as required by Directive 2011/65/EU. Components may not be CE marked. Additionally, the part numbers that TE has identified as EU ELV compliant have a maximum concentration of 0.1% by weight in homogenous materials for lead, hexavalent chromium, and mercury, and 0.01% for cadmium, or qualify for an exemption to these limits as defined in the Annexes of Directive 2000/53/EC (ELV). Regarding the REACH Regulations, TE's information on SVHC in articles for this part number is still based on the European Chemical Agency (ECHA) 'Guidance on requirements for substances in articles' (Version: 2, April 2011), applying the 0.1% weight on weight concentration threshold at the finished product level. TE is aware of the European Court of Justice ruling of September 10th, 2015 also known as O5A (Once An Article Always An Article) stating that, in case of 'complex object', the threshold for a SVHC must be applied to both the product as a whole and simultaneously to each of the articles forming part of its composition. TE has evaluated this ruling based on the new ECHA "Guidance on requirements for substances in articles" (June 2017, version 4.0) and will be updating its statements accordingly.

Compatible Parts



Automotive, Truck, Bus, & Off-Road Headers(13)



Automotive, Truck, Bus, & Off-Road Housings(1)



Automotive, Truck, Bus, & Off-Road Terminals(3)

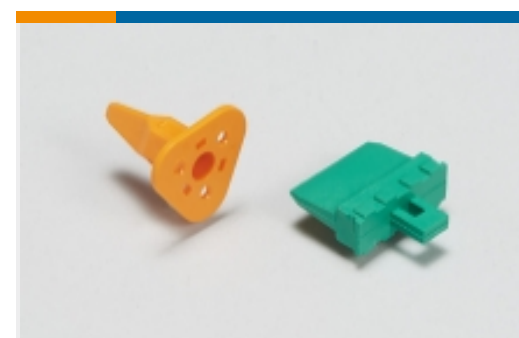
Also in the Series | Multilock Connector System



Automotive Connector Caps & Covers(16)



Automotive Connector EMC Shielding(1)



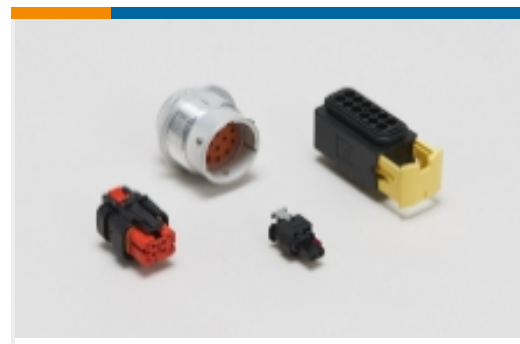
Automotive Connector Locks & Position Assurance (2)



Automotive Seals & Cavity Plugs(2)



Automotive, Truck, Bus, & Off-Road Headers(137)



Automotive, Truck, Bus, & Off-Road Housings(577)

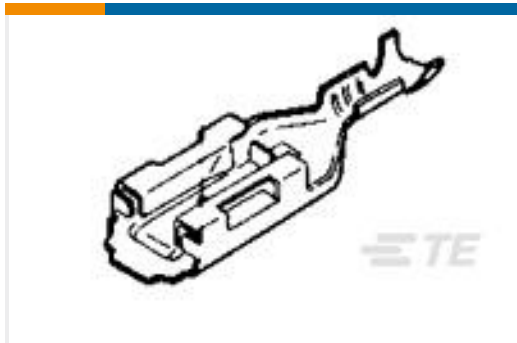


Automotive, Truck, Bus, & Off-Road Terminals(142)

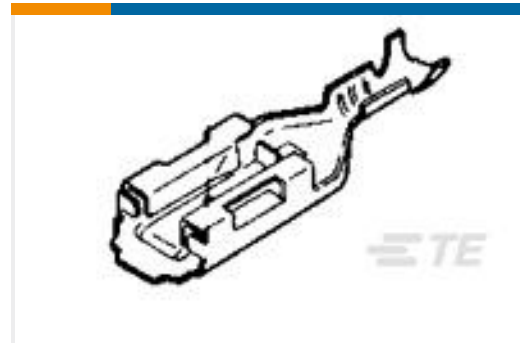


Other Automotive Connector Accessories(9)

Customers Also Bought



TE Part #170454-1
PL 250 AUTOMOTIVE REC
18-14 0.40 X 21 BR



TE Part #170456-2
PL 250 AM REC 12-10 0.40
X 21 PRE-TPBR



TE Part #1473140-1
SQUIB 11DIA MK-2
LOCKING BUTTO



TE Part #1612123-1
SQUIB FERRITE



TE Part #1612124-3
1DIA SOCKET AU

Documents

Product Drawings

[HYBRID MK-2 PLUG HSG ASSY 16P](#)

English

CAD Files

Customer View Model

[ENG_CVM_917981-1_A.2d_dxf.zip](#)

English

Customer View Model

[ENG_CVM_917981-1_A.3d_igs.zip](#)

English

Customer View Model

[ENG_CVM_917981-1_A.3d_stp.zip](#)

English

3D PDF

English



Datasheets & Catalog Pages

MULTILOCK Connector System

English

Product Specifications

Application Specification

English

Instruction Sheets

Instruction Sheet (U.S.)

Japanese