



Connectors > Connector Backshells & Adapters > Ruggedized Backshells & Adapters



Cable Diameter Range: 9.5 – 15.2 mm [ .375 – .6 in ]

Connector General Specification Number: MIL-DTL-26482 Series 1/Class E,F,J,P

Connector Detail Specification Number: MS3110, MS3111, MS3116, MS3120, MS3121, MS3126, MS3128

Material: Aluminum

Adapter Plating Material: Cadmium (AMS-QQ-P-416 Type II, Class 3)

## Features

### Product Type Features

Termination Device Included	TR12BI
Pluggable I/O Accessory Type	Tinel-Lock Adapter
Adapter Angle	00
Style	Tinel-Lock Adapter
Termination Device Type	Side-Entry Tinel-Lock Ring, Tinel-Lock Ring
Connector Shell Size	16

### Body Features

Color	Olive Drab
Material	Aluminum
Adapter Plating Material	Cadmium (AMS-QQ-P-416 Type II, Class 3)
TE Adapter Code	21
Adapter Entry Size	12

### Termination Features

Overbraid Termination	Tinel-Lock Ring
-----------------------	-----------------

### Dimensions

Cable Entry Diameter	.2 – 19.1 mm [.01 – .75 in]
Cable Diameter Range	9.5 – 15.2 mm [.375 – .6 in]

### Usage Conditions

--	--

Salt Spray Resistance	500 Hr
Operating Temperature Range	-65 – 175 °C[-85 – 347 °F]

### Industry Standards

Connector Detail Specification Number	MS3110, MS3111, MS3116, MS3120, MS3121, MS3126, MS3128
---------------------------------------	---

### Other

Connector General Specification Number	MIL-DTL-26482 Series 1/Class E,F,J,P
--	--------------------------------------

## Product Compliance

[For compliance documentation, visit the product page on TE.com>](#)

EU RoHS Directive 2011/65/EU	Not Compliant
EU ELV Directive 2000/53/EC	Not Compliant
China RoHS 2 Directive MIIT Order No 32, 2016	Restricted Materials Above Threshold
EU REACH Regulation (EC) No. 1907/2006	Current ECHA Candidate List: JAN 2019 (197) Candidate List Declared Against: JUN 2018 (191)
Halogen Content	Low Halogen - Br, Cl, F, I < 900 ppm per homogenous material. Also BFR/CFR/PVC Free
Solder Process Capability	Not applicable for solder process capability

#### Product Compliance Disclaimer

This information is provided based on reasonable inquiry of our suppliers and represents our current actual knowledge based on the information they provided. This information is subject to change. The part numbers that TE has identified as EU RoHS compliant have a maximum concentration of 0.1% by weight in homogenous materials for lead, hexavalent chromium, mercury, PBB, PBDE, DBP, BBP, DEHP, DIBP, and 0.01% for cadmium, or qualify for an exemption to these limits as defined in the Annexes of Directive 2011/65/EU (RoHS2). Finished electrical and electronic equipment products will be CE marked as required by Directive 2011/65/EU. Components may not be CE marked. Additionally, the part numbers that TE has identified as EU ELV compliant have a maximum concentration of 0.1% by weight in homogenous materials for lead, hexavalent chromium, and mercury, and 0.01% for cadmium, or qualify for an exemption to these limits as defined in the Annexes of Directive 2000/53/EC (ELV). Regarding the REACH Regulations, TE's information on SVHC in articles for this part number is still based on the European Chemical Agency (ECHA) 'Guidance on requirements for substances in articles' (Version: 2, April 2011), applying the 0.1% weight on weight concentration threshold at the finished product level. TE is aware of the European Court of Justice ruling of September 10th, 2015 also known as O5A (Once An Article Always An Article) stating that, in case of 'complex object', the threshold for a SVHC must be applied to both the product as a whole and simultaneously to each of the articles forming part of its composition. TE has evaluated this ruling based on the new ECHA "Guidance on requirements for substances in articles" (June 2017, version 4.0) and will be updating its statements accordingly.

## Compatible Parts



TE Part # 173643-000  
RH-3960-1-TINEL-KIT-120V

### Also in the Series | Raychem TXR



Ruggedized Backshells & Adapters(3265)

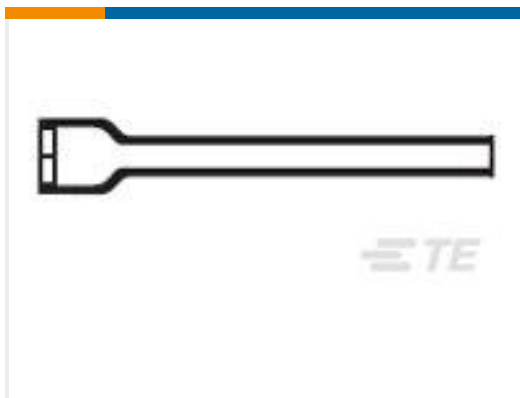


Screened Backshells & Adapters(41)



Unscreened Backshells & Adapters(29)

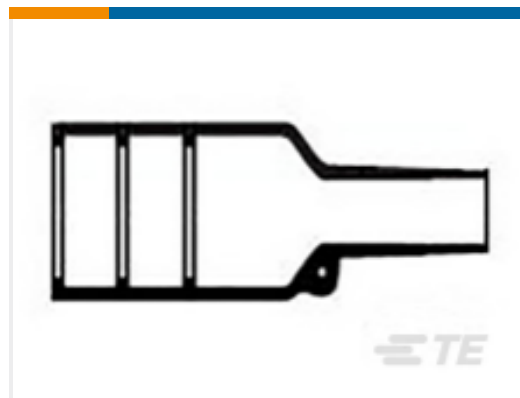
### Customers Also Bought



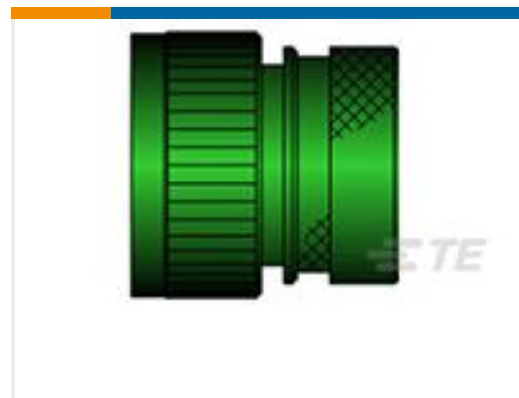
TE Part #477778-000  
202F263-50-0



TE Part #931016-000  
202F274-50-0



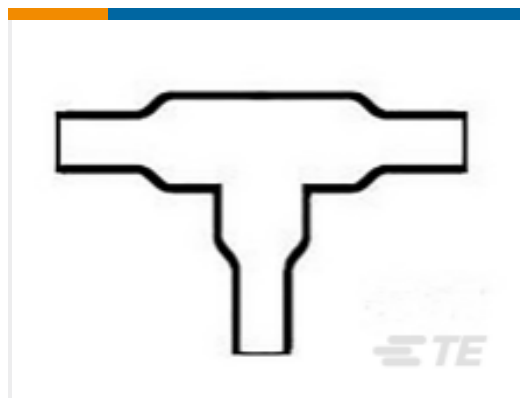
TE Part #820715-000  
202K163-4-02-0



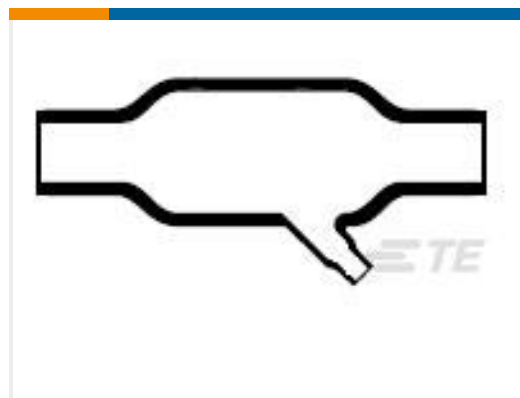
TE Part #131447-000  
202M118-19C20



TE Part #548177-000  
2524A0524-9



TE Part #823242-000  
322A412-3-0



TE Part #811153-000  
342A024-12-0



TE Part #A86989-000  
TXR40SJ00-2014BI



TE Part #A93269-000  
TXR40SJ00-2210BI



TE Part #330051-000  
TXR40SJ00-2218AI



## Documents

### Product Drawings

[TXR21AB00-1612BI](#)

English

---

### CAD Files

[3D PDF](#)

3D

Customer View Model

[ENG\\_CVM\\_CVM\\_855233-000\\_O.2d\\_dxf.zip](#)

English

Customer View Model

[ENG\\_CVM\\_CVM\\_855233-000\\_O.3d\\_igs.zip](#)

English

Customer View Model

[ENG\\_CVM\\_CVM\\_855233-000\\_O.3d\\_stp.zip](#)

English

---

### Datasheets & Catalog Pages

[5-1654025-5\\_sec6\\_Adapters](#)

English

---

### Product Specifications

[Braid termination using a Tinel Lock Ring installed using a resistance heater.](#)

English

[Braid termination using a Tinel Lock Ring installed using a resistance heater.](#)

French

[PERFORMANCE SPECIFICATION Tinel-Lock Rings, Heat Recoverable for Braid Termination](#)

English

[ASSEMBLY GUIDE for Tinel -Lock Rings, Heat Recoverable for Braid Temination](#)

English

[General Information Package for Tinel-Lock Adapters](#)

English

[Product Specification](#)

English

---

### Product Environmental Compliance

[REACH Substance Communication Document](#)

English

---

### Instruction Sheets

[Instruction Sheet \(U.S.\)](#)

English