

# BUDGET RING 16-14 12 ✓ ACTIVE

SOLISTRAND | SOLISTRAND Budget

TE Part # 31163

TE Internal #: 31163

[View on TE.com >](#)



Terminals & Splices > Rings & Spades



Terminal & Splice Type: **Ring Tongue**

Wire Size: **2050 – 5180 CMA**

Stud Size: **#12**

## Features

### Product Type Features

Shape Description	RING-048
Stud Size	#12
Barrel Type	Closed Barrel
Sealable	No
Insulated	No
Wire/Cable Type	Regular Wire

### Configuration Features

Number of Holes	1
Terminal Angle	Straight

### Body Features

Inspection Slot	No
Weight per Piece	1.099 g
Plating Material	Copper, Tin

### Contact Features

Terminal & Splice Type	Ring Tongue
Terminal Orientation	Straight

### Mechanical Attachment

Wire Insulation Support	Without
-------------------------	---------

### Dimensions

Wire Size	2050 – 5180 CMA
-----------	-----------------



Stud Diameter	5.49 mm[.216 in]
---------------	------------------

Tongue Thickness	.84 mm[.033 in]
------------------	-----------------

Overall Length	21.72 mm[.856 in]
----------------	-------------------

Barrel Inside Diameter	2.26 mm[.089 in]
------------------------	------------------

### Usage Conditions

Operating Temperature Range	170 °C[338 °F]
-----------------------------	----------------

### Operation/Application

Heavy Duty	No
------------	----

### Industry Standards

Government Qualified	No
----------------------	----

### Packaging Features

Packaging Quantity	1000
--------------------	------

Packaging Method	Package
------------------	---------

### Other

Line	Budget
------	--------

## Product Compliance

[For compliance documentation, visit the product page on TE.com>](#)

EU RoHS Directive 2011/65/EU	Compliant
------------------------------	-----------

EU ELV Directive 2000/53/EC	Compliant
-----------------------------	-----------

China RoHS 2 Directive MIIT Order No 32, 2016	No Restricted Materials Above Threshold
---	---

EU REACH Regulation (EC) No. 1907/2006	Current ECHA Candidate List: JAN 2019 (197) Candidate List Declared Against: JAN 2019 (197)
--	--

Halogen Content	Low Halogen - Br, Cl, F, I < 900 ppm per homogenous material. Also BFR/CFR/PVC Free
-----------------	---

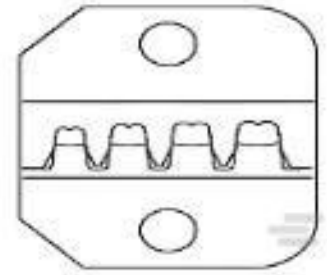
Solder Process Capability	Not applicable for solder process capability
---------------------------	--

#### Product Compliance Disclaimer

This information is provided based on reasonable inquiry of our suppliers and represents our current actual knowledge based on the information they provided. This information is subject to change. The part numbers that TE has identified as EU RoHS compliant have a maximum concentration of 0.1% by weight in homogenous materials for lead, hexavalent chromium, mercury, PBB, PBDE, DBP, BBP, DEHP, DIBP, and 0.01% for cadmium, or qualify for an exemption to these limits as defined in the Annexes of Directive 2011/65/EU (RoHS2). Finished electrical and electronic equipment products will be CE marked as required by Directive 2011/65/EU. Components may not be CE marked. Additionally, the part numbers that TE has identified as EU ELV compliant have a maximum concentration of 0.1% by weight in homogenous

materials for lead, hexavalent chromium, and mercury, and 0.01% for cadmium, or qualify for an exemption to these limits as defined in the Annexes of Directive 2000/53/EC (ELV). Regarding the REACH Regulations, TE's information on SVHC in articles for this part number is still based on the European Chemical Agency (ECHA) 'Guidance on requirements for substances in articles'(Version: 2, April 2011), applying the 0.1% weight on weight concentration threshold at the finished product level. TE is aware of the European Court of Justice ruling of September 10th, 2015 also known as O5A (Once An Article Always An Article) stating that, in case of 'complex object', the threshold for a SVHC must be applied to both the product as a whole and simultaneously to each of the articles forming part of its composition. TE has evaluated this ruling based on the new ECHA "Guidance on requirements for substances in articles" (June 2017, version 4.0) and will be updating its statements accordingly.

## Compatible Parts



TE Part # 58509-1  
PRO-CRIMPER DIE  
BUDGET



TE Part # 58508-1  
PRO-CRIMPER HD TL W  
/DIE BUDGET




TE Part # 49935  
DAHT SOLIS 22-10


## Also in the Series | SOLISTRAND Budget



Crimp Wire Pins, Tabs &  
Ferrules(1)



Knife Disconnects(4)



Rings & Spades(186)



Splices(1)

## Customers Also Bought



TE Part #1-770004-0  
UMNL II SOK SN/AUNI  
/PHBZ




TE Part #2-33460-3  
TERMINAL,SOLIS R 8 10



TE Part #770004-4  
UMNL II SOK SN/AUNI  
/PHBZ



TE Part #C39322-000  
202F232-770-0



TE Part #30694  
BUDG R 22-16 COMM 22-18 MIL 12

TE Part #F75667-000  
462A422-770-0



TE Part #C21039-000  
RT-770-1/4-0-SP



TE Part #A88324-000  
202F232-770-02-0



TE Part #770194-1  
UMNL II GROUND PIN 14-20 AWG

## Documents

### Product Drawings

[BUDGET RING 16-14 12](#)

English

### Instruction Sheets

[Instruction Sheet \(U.S.\)](#)

English

### Agency Approvals

[UL Report](#)

English