

# ASSY,HDR,VERT,GWT,BOSSSED,DUAL ROW,

EP2.5 ✓ ACTIVE

Economy Power 2.5

TE Part # 3-1969570-6

TE Internal #: 3-1969570-6

[View on TE.com >](#)



## Product Compliance

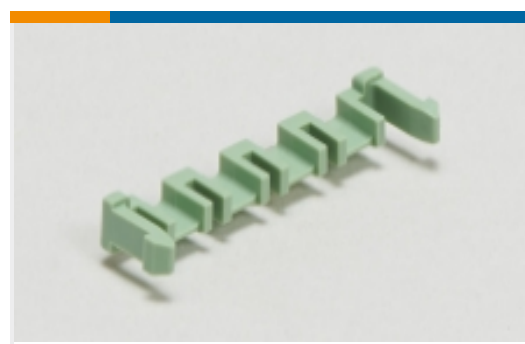
[For compliance documentation, visit the product page on TE.com>](#)

EU RoHS Directive 2011/65/EU	Compliant
EU ELV Directive 2000/53/EC	Compliant
China RoHS 2 Directive MIIT Order No 32, 2016	No Restricted Materials Above Threshold
EU REACH Regulation (EC) No. 1907/2006	Current ECHA Candidate List: JAN 2019 (197) Candidate List Declared Against: JUN 2013 (144)
Halogen Content	Low Halogen - Br, Cl, F, I < 900 ppm per homogenous material. Also BFR/CFR/PVC Free
Solder Process Capability	Wave solder capable to 265°C

### Product Compliance Disclaimer

This information is provided based on reasonable inquiry of our suppliers and represents our current actual knowledge based on the information they provided. This information is subject to change. The part numbers that TE has identified as EU RoHS compliant have a maximum concentration of 0.1% by weight in homogenous materials for lead, hexavalent chromium, mercury, PBB, PBDE, DBP, BBP, DEHP, DIBP, and 0.01% for cadmium, or qualify for an exemption to these limits as defined in the Annexes of Directive 2011/65/EU (RoHS2). Finished electrical and electronic equipment products will be CE marked as required by Directive 2011/65/EU. Components may not be CE marked. Additionally, the part numbers that TE has identified as EU ELV compliant have a maximum concentration of 0.1% by weight in homogenous materials for lead, hexavalent chromium, and mercury, and 0.01% for cadmium, or qualify for an exemption to these limits as defined in the Annexes of Directive 2000/53/EC (ELV). Regarding the REACH Regulations, TE's information on SVHC in articles for this part number is still based on the European Chemical Agency (ECHA) 'Guidance on requirements for substances in articles' (Version: 2, April 2011), applying the 0.1% weight on weight concentration threshold at the finished product level. TE is aware of the European Court of Justice ruling of September 10th, 2015 also known as O5A (Once An Article Always An Article) stating that, in case of 'complex object', the threshold for a SVHC must be applied to both the product as a whole and simultaneously to each of the articles forming part of its composition. TE has evaluated this ruling based on the new ECHA "Guidance on requirements for substances in articles" (June 2017, version 4.0) and will be updating its statements accordingly.

Also in the Series | [Economy Power 2.5](#)



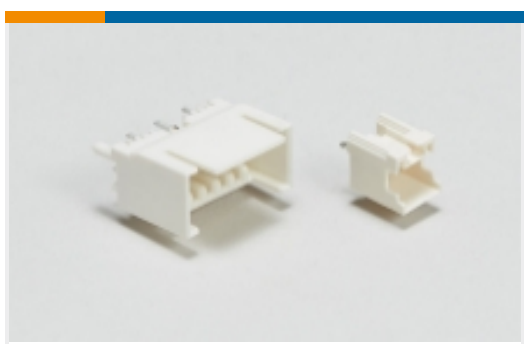
PCB Latches, Locks & Retainers(36)



Wire-to-Board Connector Contacts(6)



Wire-to-Board Connector Housings(102)

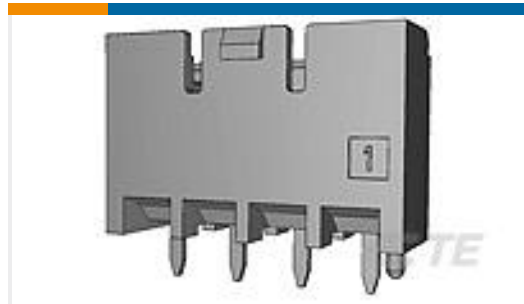


Wire-to-Board Headers & Receptacles(187)

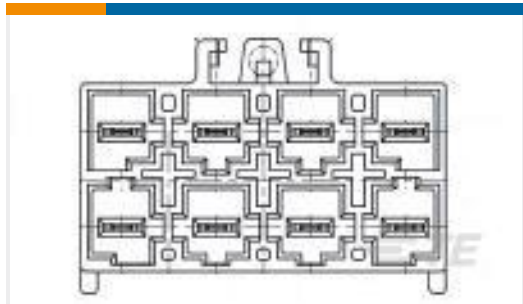
## Customers Also Bought



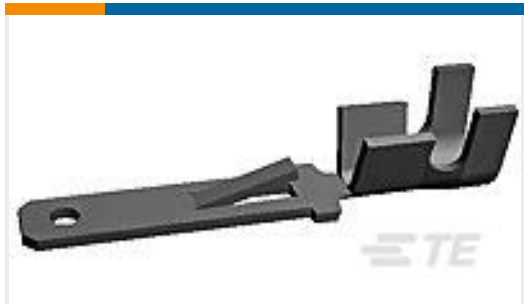
TE Part #5-1376386-1  
5.0 POWER KEY  
CONNECTOR 4P (2R)



TE Part #5-1376384-1  
5.0 POWER KEY  
CONNECTOR 4P HEA



TE Part #1827197-1  
AMP PDL 6.5MM PITCH  
8P ASS'Y



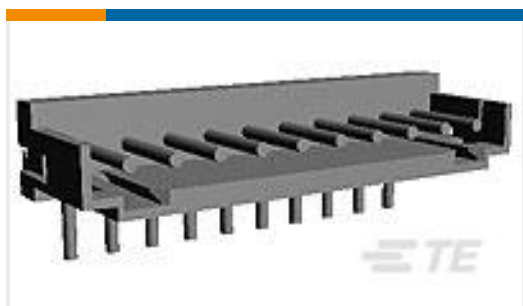
TE Part #170051-2  
FF 250 TAB 20-14AWG  
TPBR LP



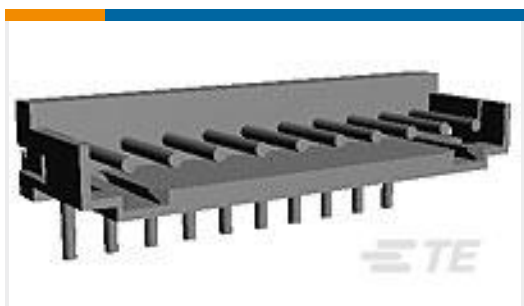
TE Part #2-1871946-5  
DYNAMIC 1900D REC  
HSG CRIMP TYPE 30p



TE Part #1-1871946-8  
DYNAMIC 1900D REC  
HSG CRIMP TYPE 16P



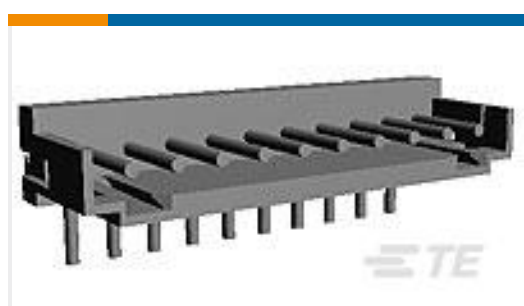
TE Part #2-292168-4  
CT P/HDR ASSY 4P H W/O  
KINK TU



TE Part #292168-9  
CT P/HDR ASSY 9P H W/O  
KINK TU



TE Part #6450140-9  
MBXL VERT RCPT  
5P+24S+1M+6P



TE Part #7-292253-4  
CT HDR ASSY H 14P  
BLACK

## Documents

### Product Drawings

[ASSY,HDR,VERT,GWT,BOSSED,DUAL ROW, EP2.5](#)

English

### CAD Files

[3D PDF](#)

[3D](#)

[Customer View Model](#)

[ENG\\_CVM\\_CVM\\_3-1969570-6\\_A.2d\\_dxf.zip](#)



English

Customer View Model

[ENG\\_CVM\\_CVM\\_3-1969570-6\\_A.3d\\_igs.zip](#)

English

Customer View Model

[ENG\\_CVM\\_CVM\\_3-1969570-6\\_A.3d\\_stp.zip](#)

English

---

**Datasheets & Catalog Pages**

[7-1773461-6\\_EP2.5\\_Connector\\_Series](#)

English

---

**Product Specifications**

[Application Specification](#)

English

---

**Instruction Sheets**

[Instruction Sheet \(U.S.\)](#)

English

---

**Agency Approvals**

[VDE Certificate](#)

English