

ASSY DIN VERT RAST5 HEADER02-E ✓ ACTIVE

[RAST](#) | [RAST 5 IDC Connectors](#)

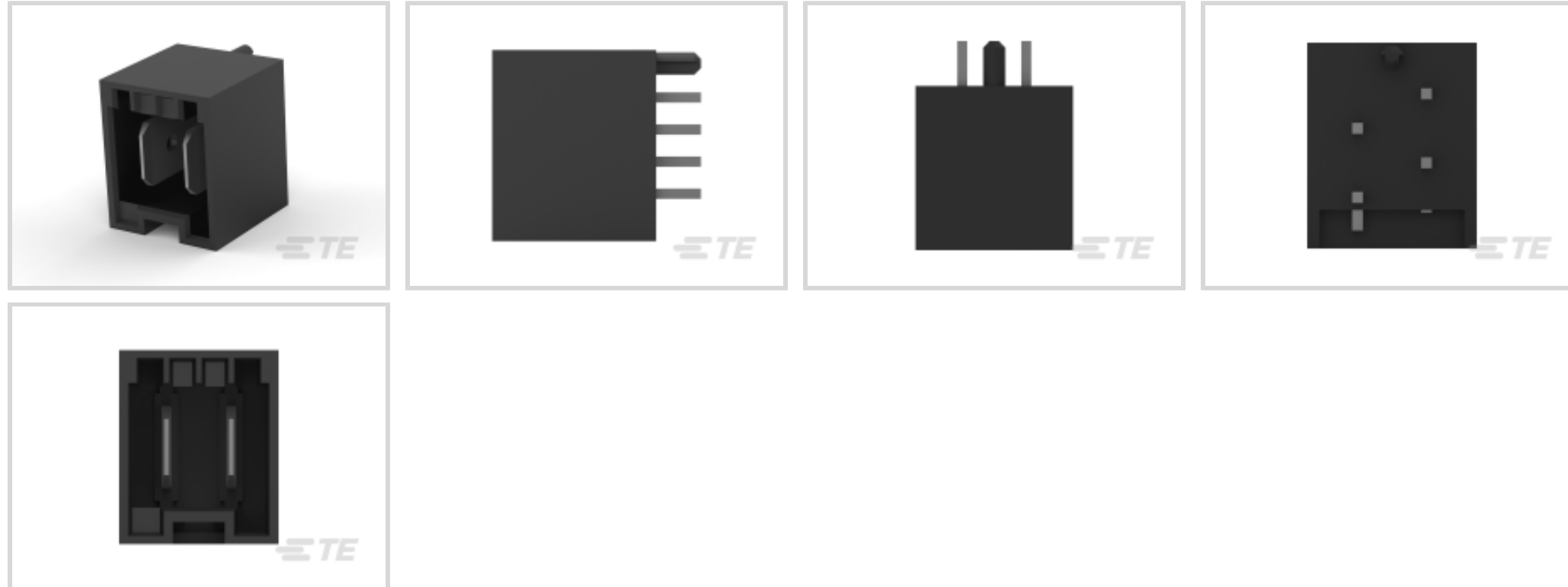
TE Part # 3-521383-2

TE Internal #: 3-521383-2

[View on TE.com >](#)



[Connectors](#) > [PCB Connectors](#) > [Wire-to-Board Connectors](#) > [Wire-to-Board Headers & Receptacles](#)



PCB Connector Assembly Type: **PCB Mount Header**

PCB Mount Orientation: **Vertical**

Connector System: **Wire-to-Board**

Number of Positions: **2**

Centerline (Pitch): **5 mm [.197 in]**

Features

Product Type Features

PCB Connector Assembly Type	PCB Mount Header
Connector System	Wire-to-Board
Header Type	Shrouded
Sealable	No
Connector & Contact Terminates To	Printed Circuit Board

Configuration Features

Keying & Polarized Position Locations	2D
PCB Mount Orientation	Vertical
Number of Positions	2
Number of Rows	1

Contact Features

Contact Layout	Inline
PCB Contact Termination Area Plating Material Thickness	3.8 μm [149.6 μin]
Mating Tab Width	6.35 mm[.25 in]
PCB Contact Termination Area Plating Material	Tin

Contact Base Material	Brass
Contact Mating Area Plating Material	Tin
Contact Mating Area Plating Material Thickness	3.8 µm[149.6 µin]
Contact Type	Tab
Contact Current Rating (Max)	16 A

Termination Features

Termination Post & Tail Length	3.5 mm[.14 in]
Termination Method to Wire & Cable	Solder
Termination Method to Printed Circuit Board	Through Hole

Mechanical Attachment

PCB Mount Alignment Type	Boss
Mating Alignment Type	Keyed
Mating Alignment	With
PCB Mount Alignment	With
Mating Retention	Without
PCB Mount Retention	Without
Connector Mounting Type	Board Mount
Contact Retention	Without

Housing Features

Centerline (Pitch)	5 mm[.197 in]
Housing Color	Black
Housing Material	Nylon 6/6

Usage Conditions

Operating Temperature Range	-40 – 105 °C[-40 – 221 °F]
-----------------------------	----------------------------

Operation/Application

Circuit Application	Signal
---------------------	--------

Industry Standards

UL Flammability Rating	UL 94V-0
------------------------	----------

Packaging Features

Packaging Quantity	208
Packaging Method	Box, Tray



Product Compliance

[For compliance documentation, visit the product page on TE.com>](#)

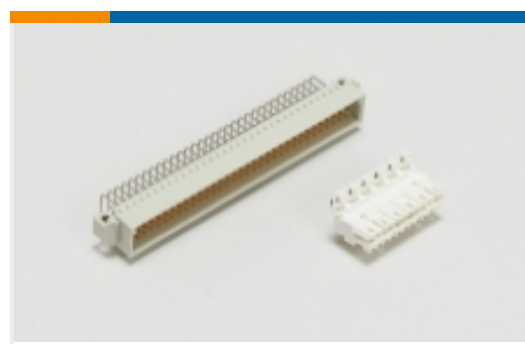
EU RoHS Directive 2011/65/EU	Compliant
EU ELV Directive 2000/53/EC	Compliant
China RoHS 2 Directive MIIT Order No 32, 2016	No Restricted Materials Above Threshold
EU REACH Regulation (EC) No. 1907/2006	Current ECHA Candidate List: JAN 2019 (197) Candidate List Declared Against: JAN 2018 (181)
Halogen Content	BFR/CFR/PVC Free, but Br/Cl >900 ppm in other sources.
Solder Process Capability	Wave solder capable to 265°C

Product Compliance Disclaimer

This information is provided based on reasonable inquiry of our suppliers and represents our current actual knowledge based on the information they provided. This information is subject to change. The part numbers that TE has identified as EU RoHS compliant have a maximum concentration of 0.1% by weight in homogenous materials for lead, hexavalent chromium, mercury, PBB, PBDE, DBP, BBP, DEHP, DIBP, and 0.01% for cadmium, or qualify for an exemption to these limits as defined in the Annexes of Directive 2011/65/EU (RoHS2). Finished electrical and electronic equipment products will be CE marked as required by Directive 2011/65/EU. Components may not be CE marked. Additionally, the part numbers that TE has identified as EU ELV compliant have a maximum concentration of 0.1% by weight in homogenous materials for lead, hexavalent chromium, and mercury, and 0.01% for cadmium, or qualify for an exemption to these limits as defined in the Annexes of Directive 2000/53/EC (ELV). Regarding the REACH Regulations, TE's information on SVHC in articles for this part number is still based on the European Chemical Agency (ECHA) 'Guidance on requirements for substances in articles' (Version: 2, April 2011), applying the 0.1% weight on weight concentration threshold at the finished product level. TE is aware of the European Court of Justice ruling of September 10th, 2015 also known as O5A (Once An Article Always An Article) stating that, in case of 'complex object', the threshold for a SVHC must be applied to both the product as a whole and simultaneously to each of the articles forming part of its composition. TE has evaluated this ruling based on the new ECHA "Guidance on requirements for substances in articles" (June 2017, version 4.0) and will be updating its statements accordingly.

Also in the Series | RAST 5 IDC Connectors

<p>Automotive, Truck, Bus, & Off-Road Terminals(8)</p>	<p>Connector Contacts(12)</p>	<p>Crimp Terminal Housings (41)</p>	<p>Rectangular Connector Housings(1)</p>



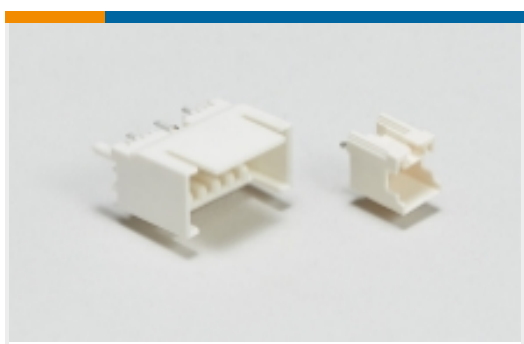
Standard Edge Connectors
(4)



Wire-to-Board Connector
Contacts(1)



Wire-to-Board Connector
Housings(217)



Wire-to-Board Headers &
Receptacles(459)

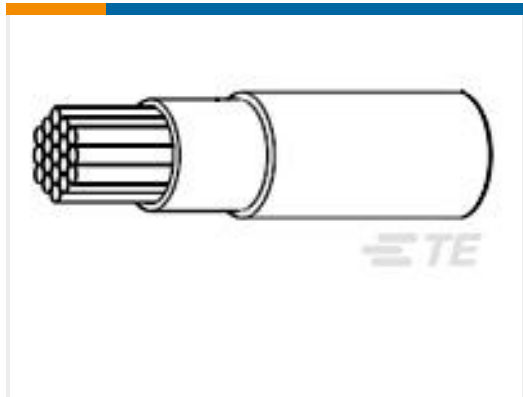
Customers Also Bought



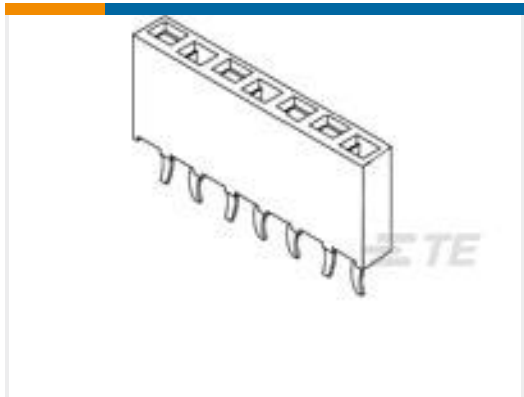
TE Part #3-1462039-3
IM03DJR=IM RELAY
140MW 5V



TE Part #3-5175473-1
CHAMP 050 BTB PLUG V
20P W/LEG



TE Part #154057-000
FLDWC0311-18-9



TE Part #2-215299-2
22P HV100 REC CON. TE,
8.5MM



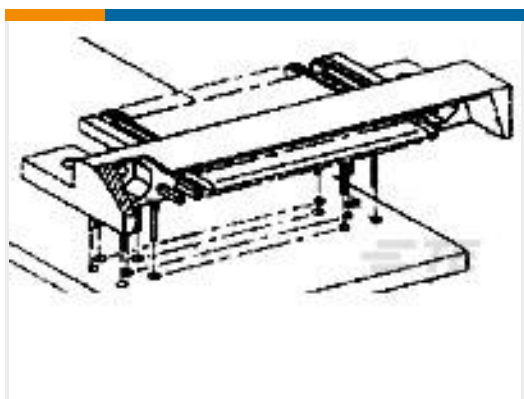
TE Part #4-1546158-4
6PCV-02-1216=6PCV
ASSEMBLY W/P



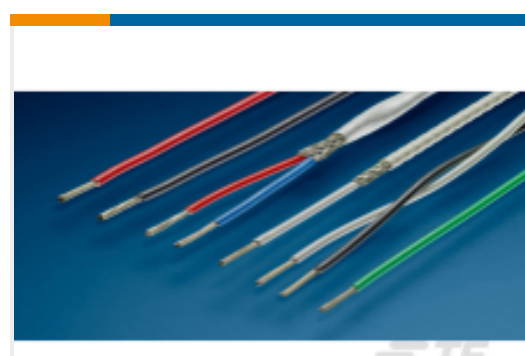
TE Part #521383-2
ASSY DIN VERT RAST5
HEADER02-A



TE Part #521383-3
ASSY DIN VERT RAST5
HEADER03-A



TE Part #530733-8
MINI BX PIN HDR ASY 110
POS RA



TE Part #1540573002
FLDWC0311-18-9



TE Part #6-1879269-8
RP 2A 37R4 0.1% 15PPM
1K RL

Documents

Product Drawings

[ASSY DIN VERT RAST5 HEADER02-E](#)

English

CAD Files

Customer View Model

[ENG_CVM_CVM_3-521383-2_D.2d_dxf.zip](#)

English

[3D PDF](#)



3D

Customer View Model

[ENG_CVM_CVM_3-521383-2_D.3d_igs.zip](#)

English

Customer View Model

[ENG_CVM_CVM_3-521383-2_D.3d_stp.zip](#)

English

Agency Approvals

[VDE Certificate](#)

English

[VDE Certificate](#)

English