

STR PLUG SPRING TYPE LH 21P, 3.50mm ✓ ACTIVE

Buchanan

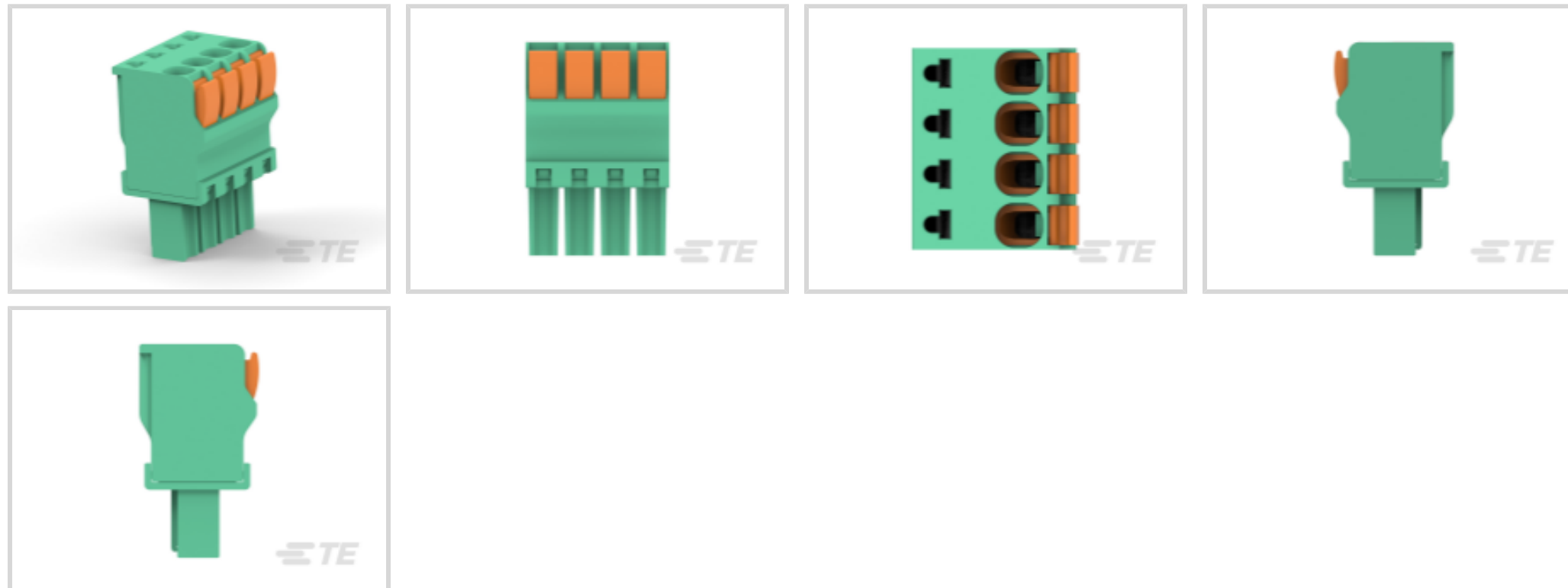
TE Part # 2-1986693-1

TE Internal #: 2-1986693-1

[View on TE.com >](#)



Connectors > Terminal Blocks & Strips > PCB Terminal Blocks



Connector Style: **Plug**

Connector System: **Wire-to-Board**

Number of Positions: **21**

Centerline (Pitch): **3.5 mm [.138 in]**

Number of Rows: **1**

Features

Product Type Features

Wire Protection	With
Block Type	Spring Terminal Block
Connector Style	Plug
Connector System	Wire-to-Board
Connector & Contact Terminates To	Wire & Cable

Configuration Features

Threaded Flange	Without
Stacking Configuration	Side Stackable
Number of Positions	21
Number of Rows	1
Wire Entry Angle	Top

Electrical Characteristics

Current Rating (Max)	9 A, 11 A
Voltage	300 VAC

Body Features



Interlock	Without
-----------	---------

Lever Color	Orange
-------------	--------

Contact Features

Contact Mating Area Plating Material	Tin over Copper Alloy
--------------------------------------	-----------------------

Contact Base Material	Copper Alloy
-----------------------	--------------

Contact Current Rating (Max)	11 A
------------------------------	------

Mechanical Attachment

Mating Angle	90° (Bottom)/ 270° (Top)
--------------	--------------------------

Screwless Terminal Block	Yes
--------------------------	-----

Mounting Angle	Vertical
----------------	----------

Screw Flange	Without
--------------	---------

Housing Features

Housing Color	Green
---------------	-------

Housing Material	PA 66
------------------	-------

Centerline (Pitch)	3.5 mm [.138 in]
--------------------	------------------

Dimensions

Wire Size	.05 – 2 mm ²
-----------	-------------------------

Usage Conditions

Operating Temperature Range	-40 – 65 °C [-40 – 149 °F]
-----------------------------	----------------------------

Operation/Application

Circuit Application	Power & Signal
---------------------	----------------

Packaging Features

Packaging Quantity	25
--------------------	----

Product Compliance

[For compliance documentation, visit the product page on TE.com>](#)

EU RoHS Directive 2011/65/EU	Not Yet Reviewed
------------------------------	------------------

EU ELV Directive 2000/53/EC	Not Yet Reviewed
-----------------------------	------------------

China RoHS 2 Directive MIIT Order No 32, 2016	No Restricted Materials Above Threshold
-----------------------------------------------	-----------------------------------------

EU REACH Regulation (EC) No. 1907/2006	Current ECHA Candidate List: JAN 2019 (197) Candidate List Declared Against: JUN 2018 (191)
----------------------------------------	------------------------------------------------------------------------------------------------

Halogen Content	Low Halogen - Br, Cl, F, I < 900 ppm per homogenous material. Also BFR/CFR/PVC Free
-----------------	-------------------------------------------------------------------------------------

Solder Process Capability	Wave solder capable to 265°C
---------------------------	------------------------------

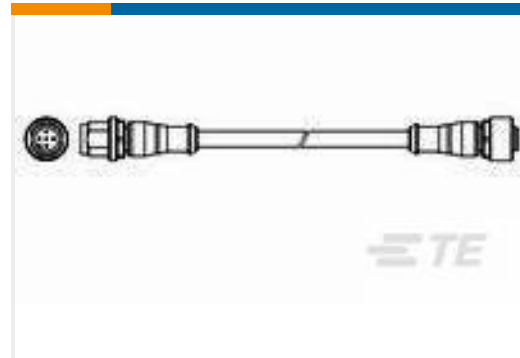
Product Compliance Disclaimer

This information is provided based on reasonable inquiry of our suppliers and represents our current actual knowledge based on the information they provided. This information is subject to change. The part numbers that TE has identified as EU RoHS compliant have a maximum concentration of 0.1% by weight in homogenous materials for lead, hexavalent chromium, mercury, PBB, PBDE, DBP, BBP, DEHP, DIBP, and 0.01% for cadmium, or qualify for an exemption to these limits as defined in the Annexes of Directive 2011/65/EU (RoHS2). Finished electrical and electronic equipment products will be CE marked as required by Directive 2011/65/EU. Components may not be CE marked. Additionally, the part numbers that TE has identified as EU ELV compliant have a maximum concentration of 0.1% by weight in homogenous materials for lead, hexavalent chromium, and mercury, and 0.01% for cadmium, or qualify for an exemption to these limits as defined in the Annexes of Directive 2000/53/EC (ELV). Regarding the REACH Regulations, TE's information on SVHC in articles for this part number is still based on the European Chemical Agency (ECHA) 'Guidance on requirements for substances in articles' (Version: 2, April 2011), applying the 0.1% weight on weight concentration threshold at the finished product level. TE is aware of the European Court of Justice ruling of September 10th, 2015 also known as O5A (Once An Article Always An Article) stating that, in case of 'complex object', the threshold for a SVHC must be applied to both the product as a whole and simultaneously to each of the articles forming part of its composition. TE has evaluated this ruling based on the new ECHA "Guidance on requirements for substances in articles" (June 2017, version 4.0) and will be updating its statements accordingly.

Customers Also Bought



TE Part #1-282856-8
18P TERMI-BLOK PCB
MOUNT



TE Part #2273112-5
M12 strgt plug to M12
strgt socket AA



TE Part #5-146266-7
14 MODII HDR DRST B/A
100 W/HD



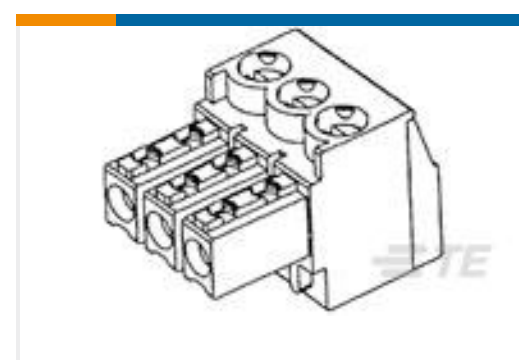
TE Part #6-1879501-0
CRGH2512 5% 300R 2W



TE Part #5-1437664-2
NC6-P108-17=NC6 SERIES
TERMINA



TE Part #104355-5
10 MODII HDR DRRR B/A
W/HLDWN



TE Part #2-284506-4
24 POS TERMI-BLOK
PLUG STAC 3,



TE Part #63425-1
MAG MATE 250F TAB #12
TPBR.



TE Part #796694-7
7 POS TERMI-BLOK HDR
DIR. POL.



TE Part #1879520-3
CRGH2010 1% 1K21 1W



Documents

Product Drawings

[STR PLUG SPRING TYPE LH 21P, 3.50mm](#)

English

CAD Files

[3D PDF](#)

3D

Customer View Model

[ENG_CVM_CVM_2-1986693-1_A_c-2-1986693-1-a.2d_dxf.zip](#)

English

Customer View Model

[ENG_CVM_CVM_2-1986693-1_A_c-2-1986693-1-a.3d_igs.zip](#)

English

Customer View Model

[ENG_CVM_CVM_2-1986693-1_A_c-2-1986693-1-a.3d_stp.zip](#)

English

Datasheets & Catalog Pages

[2-1773464-1_Spring_Type_Straight_Plugs](#)

English