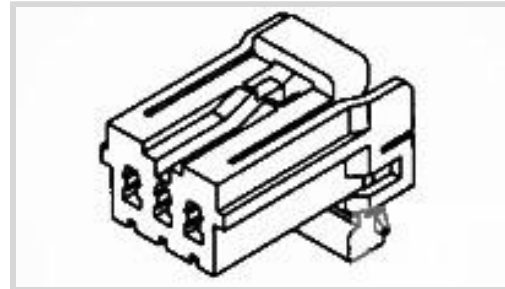




Connectors > Automotive, Truck, Bus, & Off-Road Connectors > Connector Housings > MULTILOCK, CONNECTOR HOUSING



Connector Style: **Housing for female terminals**

Mating Tab Width: **1.8 mm [ .071 in ]**

Connector System: **Wire-to-Wire**

Number of Positions: **4**

Centerline (Pitch): **3.5 mm [ .138 in ]**

[All MULTILOCK, CONNECTOR HOUSING \(577\)](#)

## Features

### Product Type Features

Connector Style	Housing for female terminals
Connector System	Wire-to-Wire
Sealable	No
Hybrid Connector	No
Primary Locking Feature	Integrated in Housing
Strain Relief	No

### Configuration Features

Number of Positions	4
Number of Rows	1

### Electrical Characteristics

Nominal Voltage Architecture	12 V
Operating Voltage	12 VDC

### Body Features

Cable Exit Angle	180°
Body Material	PBT
Color	Natural

### Contact Features

Mating Tab Width	1.8 mm[.071 in]
------------------	-----------------

### Mechanical Attachment

Terminal Position Assurance	Yes
Mounting Feature	Without
Polarized	Yes

### Housing Features

Centerline (Pitch)	3.5 mm[.138 in]
--------------------	-----------------

### Dimensions

Height	15.9 mm[.626 in]
Length	21.6 mm[.85 in]
Width	17.4 mm[.685 in]

### Usage Conditions

Operating Temperature Range	-30 – 105 °C[-22 – 221 °F]
-----------------------------	----------------------------

### Operation/Application

Circuit Application	Signal
---------------------	--------

### Industry Standards

UL Flammability Rating	UL 94-HB
------------------------	----------

### Packaging Features

Packaging Method	Bag
Packaging Quantity	100

### Other

Serviceable	Yes
Connector Position Assurance Capable	No

### Product Compliance

[For compliance documentation, visit the product page on TE.com>](#)

EU RoHS Directive 2011/65/EU	Compliant
EU ELV Directive 2000/53/EC	Compliant
China RoHS 2 Directive MIIT Order No 32, 2016	No Restricted Materials Above Threshold
EU REACH Regulation (EC) No. 1907/2006	Current ECHA Candidate List: JAN 2019 (197) Candidate List Declared Against: JAN 2019 (197)

Halogen Content	Low Halogen - Br, Cl, F, I < 900 ppm per homogenous material. Also BFR/CFR/PVC Free
Solder Process Capability	Not applicable for solder process capability

Product Compliance Disclaimer

This information is provided based on reasonable inquiry of our suppliers and represents our current actual knowledge based on the information they provided. This information is subject to change. The part numbers that TE has identified as EU RoHS compliant have a maximum concentration of 0.1% by weight in homogenous materials for lead, hexavalent chromium, mercury, PBB, PBDE, DBP, BBP, DEHP, DIBP, and 0.01% for cadmium, or qualify for an exemption to these limits as defined in the Annexes of Directive 2011/65/EU (RoHS2). Finished electrical and electronic equipment products will be CE marked as required by Directive 2011/65/EU. Components may not be CE marked. Additionally, the part numbers that TE has identified as EU ELV compliant have a maximum concentration of 0.1% by weight in homogenous materials for lead, hexavalent chromium, and mercury, and 0.01% for cadmium, or qualify for an exemption to these limits as defined in the Annexes of Directive 2000/53/EC (ELV). Regarding the REACH Regulations, TE's information on SVHC in articles for this part number is still based on the European Chemical Agency (ECHA) 'Guidance on requirements for substances in articles' (Version: 2, April 2011), applying the 0.1% weight on weight concentration threshold at the finished product level. TE is aware of the European Court of Justice ruling of September 10th, 2015 also known as O5A (Once An Article Always An Article) stating that, in case of 'complex object', the threshold for a SVHC must be applied to both the product as a whole and simultaneously to each of the articles forming part of its composition. TE has evaluated this ruling based on the new ECHA "Guidance on requirements for substances in articles" (June 2017, version 4.0) and will be updating its statements accordingly.

### Compatible Parts



Automotive, Truck, Bus, & Off-Road Terminals(17)

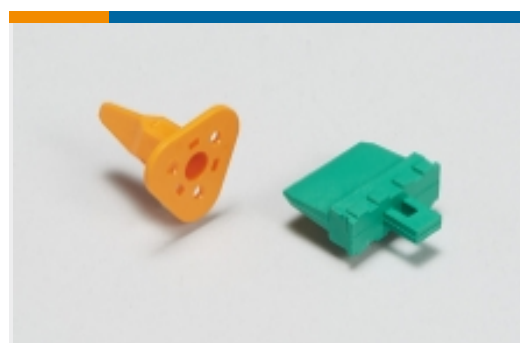
### Also in the Series | Multilock Connector System



Automotive Connector Caps & Covers(16)



Automotive Connector EMC Shielding(1)



Automotive Connector Locks & Position Assurance (2)



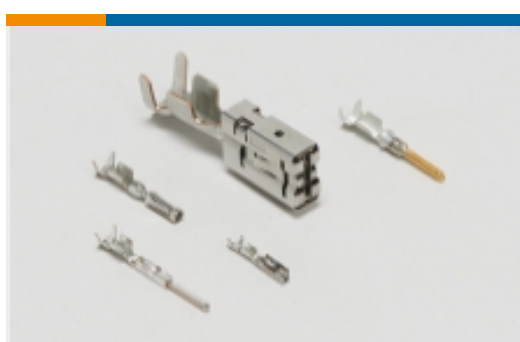
Automotive Seals & Cavity Plugs(2)



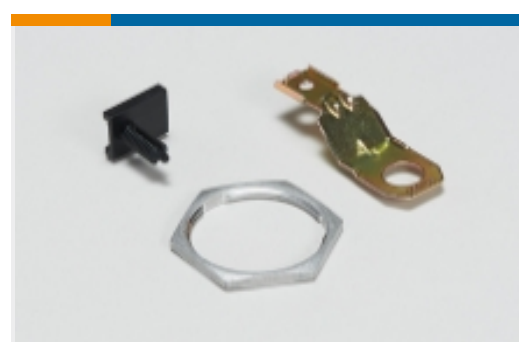
Automotive, Truck, Bus, &amp; Off-Road Headers(137)



Automotive, Truck, Bus, &amp; Off-Road Housings(577)

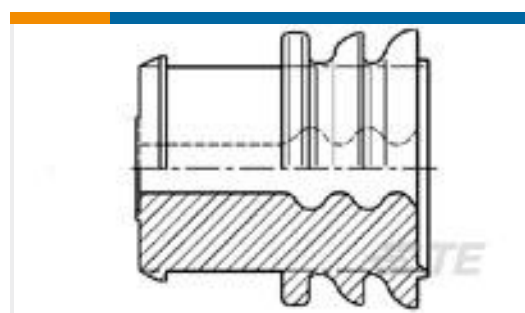
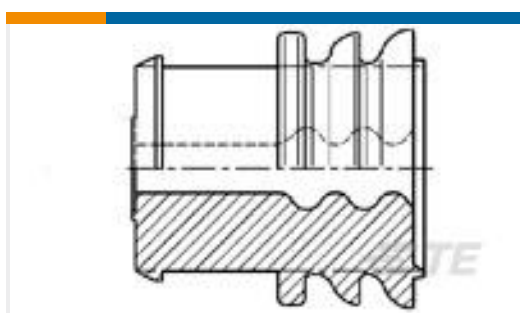


Automotive, Truck, Bus, &amp; Off-Road Terminals(142)



Other Automotive Connector Accessories(9)

## Customers Also Bought

TE Part #963245-1  
EINZELLEIT-DICHTUNGTE Part #1394512-1  
EINZELLEITDICHTG,BLTE Part #963244-1  
EINZELDRAHTDICHTUNGTE Part #2525596002  
RBK-ILS-125-NR1-0-50MM

## Documents

### Product Drawings

[070 MLC W-W PLUG HSG 4P NATURA](#)

Japanese

### CAD Files

Customer View Model

[ENG\\_CVM\\_CVM\\_174922-1\\_E.2d\\_dxf.zip](#)

English

[3D PDF](#)

3D

Customer View Model

[ENG\\_CVM\\_CVM\\_174922-1\\_E.3d\\_igs.zip](#)

English

Customer View Model

[ENG\\_CVM\\_CVM\\_174922-1\\_E.3d\\_stp.zip](#)

English

### Datasheets & Catalog Pages

[MULTILOCK Connector System](#)

English

### Product Specifications

[Product Specification](#)

Japanese

[Product Specification](#)

Japanese

174922-1

Multilock Connector System, Housing for female terminals, Wire-to-Wire, 4 Position,  
Natural, Signal

