



Connectors > Connector Backshells & Adapters > Ruggedized Backshells & Adapters



Cable Diameter Range: 6.4 – 10.2 mm [.25 – .4 in]

Connector General Specification Number: AS50151 Solder Contact with ENDBELL

Connector Detail Specification Number: AS31001, AS31011, AS31061, AS31071, AS31081

Material: Aluminum

Adapter Plating Material: Cadmium (AMS-QQ-P-416 Type II, Class 3)

Features

Product Type Features

Termination Device Included	TR08AI
Pluggable I/O Accessory Type	Tinel-Lock Adapter
Adapter Angle	00
Style	Tinel-Lock Adapter
Termination Device Type	Side-Entry Tinel-Lock Ring, Tinel-Lock Ring
Connector Shell Size	14, 14S

Body Features

Color	Olive Drab
Material	Aluminum
Adapter Plating Material	Cadmium (AMS-QQ-P-416 Type II, Class 3)
TE Adapter Code	15
Adapter Entry Size	8

Termination Features

Overbraid Termination	Tinel-Lock Ring
-----------------------	-----------------

Dimensions

Cable Entry Diameter	.2 – 12.7 mm [.01 – .5 in]
Cable Diameter Range	6.4 – 10.2 mm [.25 – .4 in]

Usage Conditions



Salt Spray Resistance	500 Hr
-----------------------	--------

Operating Temperature Range	-65 – 175 °C[-85 – 347 °F]
-----------------------------	----------------------------

Industry Standards

Connector Detail Specification Number	AS31001, AS31011, AS31061, AS31071, AS31081
---------------------------------------	---

Other

Connector General Specification Number	AS50151 Solder Contact with ENDBELL
--	-------------------------------------

Product Compliance

[For compliance documentation, visit the product page on TE.com>](#)

EU RoHS Directive 2011/65/EU	Not Compliant
------------------------------	---------------

EU ELV Directive 2000/53/EC	Not Compliant
-----------------------------	---------------

China RoHS 2 Directive MIIT Order No 32, 2016	Restricted Materials Above Threshold
---	--------------------------------------

EU REACH Regulation (EC) No. 1907/2006	Current ECHA Candidate List: JAN 2019 (197) Candidate List Declared Against: JAN 2019 (197)
--	--

Halogen Content	Low Halogen - Br, Cl, F, I < 900 ppm per homogenous material. Also BFR/CFR/PVC Free
-----------------	---

Solder Process Capability	Not applicable for solder process capability
---------------------------	--

Product Compliance Disclaimer

This information is provided based on reasonable inquiry of our suppliers and represents our current actual knowledge based on the information they provided. This information is subject to change. The part numbers that TE has identified as EU RoHS compliant have a maximum concentration of 0.1% by weight in homogenous materials for lead, hexavalent chromium, mercury, PBB, PBDE, DBP, BBP, DEHP, DIBP, and 0.01% for cadmium, or qualify for an exemption to these limits as defined in the Annexes of Directive 2011/65/EU (RoHS2). Finished electrical and electronic equipment products will be CE marked as required by Directive 2011/65/EU. Components may not be CE marked. Additionally, the part numbers that TE has identified as EU ELV compliant have a maximum concentration of 0.1% by weight in homogenous materials for lead, hexavalent chromium, and mercury, and 0.01% for cadmium, or qualify for an exemption to these limits as defined in the Annexes of Directive 2000/53/EC (ELV). Regarding the REACH Regulations, TE’s information on SVHC in articles for this part number is still based on the European Chemical Agency (ECHA) ‘Guidance on requirements for substances in articles’(Version: 2, April 2011), applying the 0.1% weight on weight concentration threshold at the finished product level. TE is aware of the European Court of Justice ruling of September 10th, 2015 also known as O5A (Once An Article Always An Article) stating that, in case of ‘complex object’, the threshold for a SVHC must be applied to both the product as a whole and simultaneously to each of the articles forming part of its composition. TE has evaluated this ruling based on the new ECHA “Guidance on requirements for substances in articles” (June 2017, version 4.0) and will be updating its statements accordingly.

Compatible Parts



TE Part # 173643-000
RH-3960-1-TINEL-KIT-120V

Also in the Series | Raychem TXR



Ruggedized Backshells & Adapters(3265)

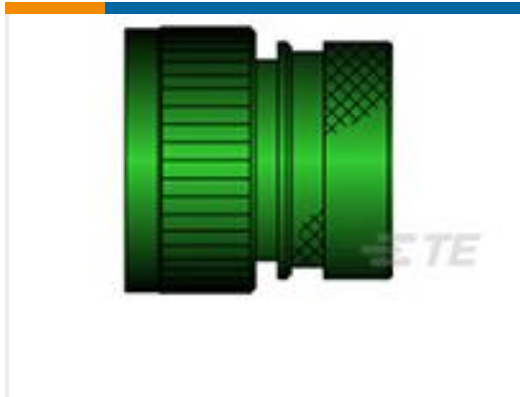


Screened Backshells & Adapters(41)

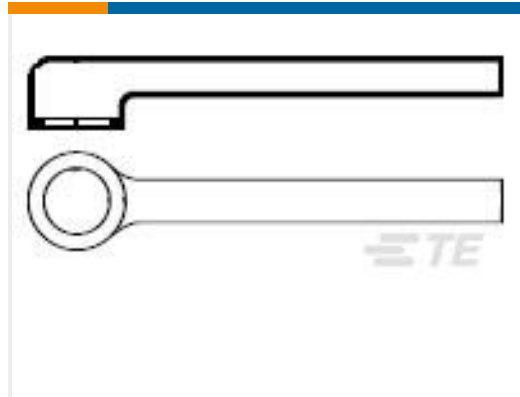


Unscreened Backshells & Adapters(29)

Customers Also Bought



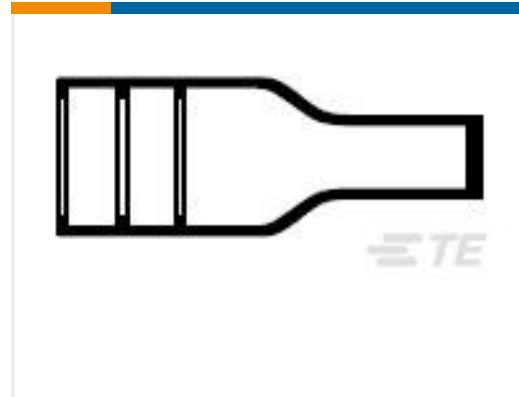
TE Part #807120-000
203M614-19A



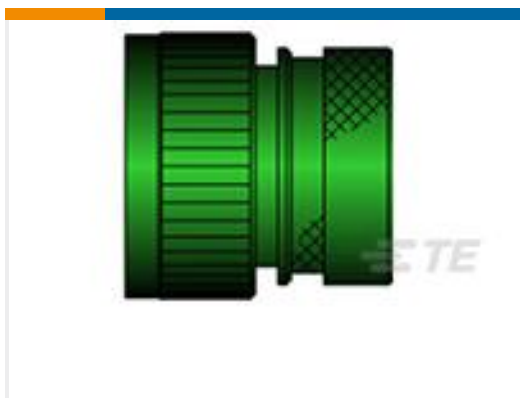
TE Part #474605-000
222F274-51/164-0



TE Part #262087-001
81044/6-2-9



TE Part #807322-000
202D185-4/42-0



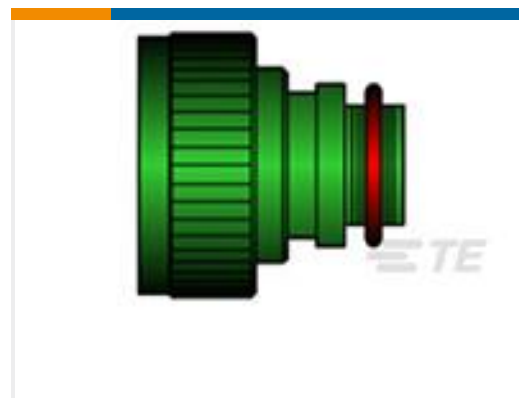
TE Part #407979-000
218M632B19B



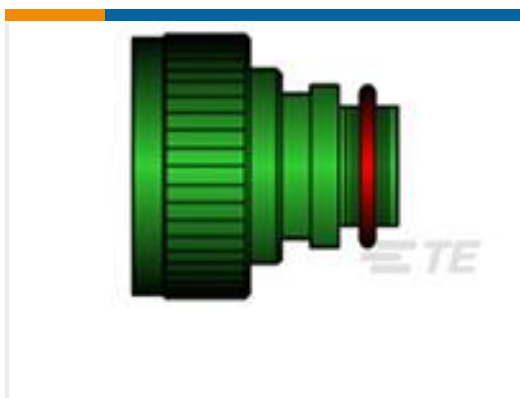
TE Part #YDTS20Z17-08PNV001
RECP ASSY



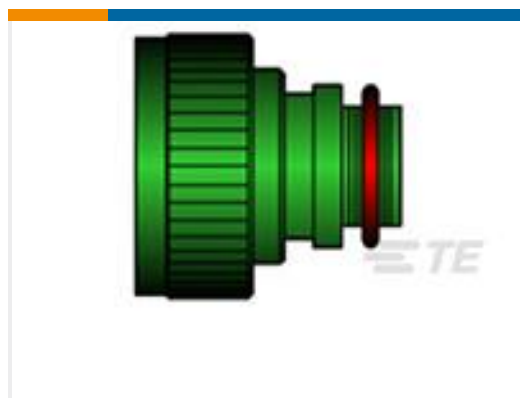
TE Part #YDTS20Z21-11SAV001
RECP ASSY



TE Part #958318-000
TXR15AB00-1214AI



TE Part #067443-000
TXR15AB00-2416AI



TE Part #CP1245-000
TXR15AB00-2820AI



Documents

Product Drawings

[TXR15AB00-0608AI](#)

English

CAD Files

[3D PDF](#)

3D

Customer View Model

[ENG_CVM_CVM_466525-000_O.2d_dxf.zip](#)

English

Customer View Model

[ENG_CVM_CVM_466525-000_O.3d_igs.zip](#)

English

Customer View Model

[ENG_CVM_CVM_466525-000_O.3d_stp.zip](#)

English

Datasheets & Catalog Pages

[5-1654025-5_sec6_Adapters](#)

English

Product Specifications

[Braid termination using a Tinel Lock Ring installed using a resistance heater.](#)

English

[Braid termination using a Tinel Lock Ring installed using a resistance heater.](#)

French

[PERFORMANCE SPECIFICATION Tinel-Lock Rings, Heat Recoverable for Braid Termination](#)

English

[ASSEMBLY GUIDE for Tinel -Lock Rings, Heat Recoverable for Braid Temination](#)

English

[Product Specification](#)

English

[General Information Package for Tinel-Lock Adapters](#)

English

Product Environmental Compliance

[REACH Substance Communication Document](#)

English

Instruction Sheets

[Instruction Sheet \(U.S.\)](#)

English