

KIT, COMMERCIAL SMA PLUG ASSY ✓ ACTIVE

[AMP](#) | [AMP SMA](#)

TE Part # 221117-2

TE Internal #: 221117-2

[View on TE.com >](#)



[Connectors](#) > [RF & Coax Connectors](#) > [RF Connectors](#)



RF Interface: **SMA**

RF Connector Style: **Plug**

RF Connector Mated Outer Diameter (Approximate): **8.99 mm [.354 in]**

Impedance: **50 Ω**

Cable Type: **RG 174, RG 188, RG 188A, RG 316**

Features

Product Type Features

RF Interface	SMA
RF Connector Style	Plug
Sealable	Yes
Connector & Contact Terminates To	Wire & Cable
Connector Seal Type	Interfacial Seal

Configuration Features

Port Configuration	Single Port
Number of Positions	1
Number of Coaxial Contacts	1

Electrical Characteristics

Impedance	50 Ω
-----------	------

Body Features

Cable Connector Orientation	Straight
Body Material	Stainless Steel
Body Finish	Passivated

Contact Features

Ferrule Material	Brass, Copper Alloy
Connector Product Type	Connector Assembly
Ferrule Plating Material	Tin-Lead

Crimp Type	Hex
RF Connector Center Contact Plating Material	Gold
RF Connector Center Contact Material	Brass

Termination Features

Termination Method to Wire & Cable	Crimp
------------------------------------	-------

Mechanical Attachment

RF Connector Coupling Mechanism	Threaded
Connector Mounting Type	Cable Mount (Free-Hanging)
RF Contact Captivation Method	Mechanical

Dimensions

Product Length	30.18 mm[1.188 in]
RF Connector Mated Outer Diameter (Approximate)	8.99 mm[.354 in]

Usage Conditions

Cable Type	RG 174, RG 188, RG 188A, RG 316
Operating Temperature Range	-65 – 165 °C[-85 – 329 °F]

Operation/Application

Operating Frequency	18 GHz
---------------------	--------

Packaging Features

Packaging Method	Package
------------------	---------

Other

Grade	Military
Coupling Nut Plating Finish	Passivated
Coupling Nut Base Material	Stainless Steel
Dielectric Material	PTFE

Product Compliance

[For compliance documentation, visit the product page on TE.com>](#)

EU RoHS Directive 2011/65/EU	Not Compliant
EU ELV Directive 2000/53/EC	Not Compliant
China RoHS 2 Directive MIIT Order No 32, 2016	Restricted Materials Above Threshold
EU REACH Regulation (EC) No. 1907/2006	Current ECHA Candidate List: JAN 2019 (197)

Candidate List Declared Against: JAN 2017
(173)

Halogen Content

Not Yet Reviewed for halogen content

Solder Process Capability

Not applicable for solder process capability

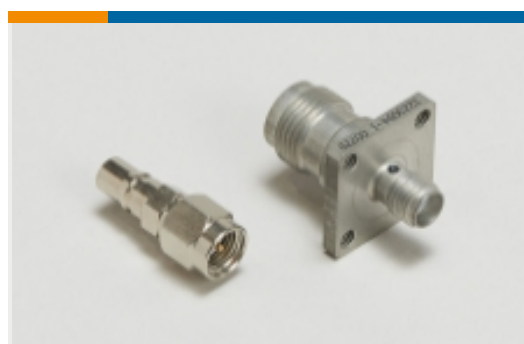
Product Compliance Disclaimer

This information is provided based on reasonable inquiry of our suppliers and represents our current actual knowledge based on the information they provided. This information is subject to change. The part numbers that TE has identified as EU RoHS compliant have a maximum concentration of 0.1% by weight in homogenous materials for lead, hexavalent chromium, mercury, PBB, PBDE, DBP, BBP, DEHP, DIBP, and 0.01% for cadmium, or qualify for an exemption to these limits as defined in the Annexes of Directive 2011/65/EU (RoHS2). Finished electrical and electronic equipment products will be CE marked as required by Directive 2011/65/EU. Components may not be CE marked. Additionally, the part numbers that TE has identified as EU ELV compliant have a maximum concentration of 0.1% by weight in homogenous materials for lead, hexavalent chromium, and mercury, and 0.01% for cadmium, or qualify for an exemption to these limits as defined in the Annexes of Directive 2000/53/EC (ELV). Regarding the REACH Regulations, TE's information on SVHC in articles for this part number is still based on the European Chemical Agency (ECHA) 'Guidance on requirements for substances in articles' (Version: 2, April 2011), applying the 0.1% weight on weight concentration threshold at the finished product level. TE is aware of the European Court of Justice ruling of September 10th, 2015 also known as O5A (Once An Article Always An Article) stating that, in case of 'complex object', the threshold for a SVHC must be applied to both the product as a whole and simultaneously to each of the articles forming part of its composition. TE has evaluated this ruling based on the new ECHA "Guidance on requirements for substances in articles" (June 2017, version 4.0) and will be updating its statements accordingly.

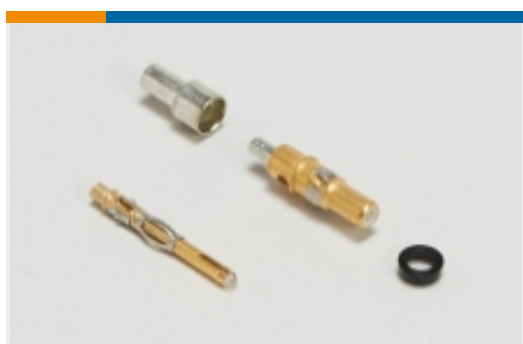
Also in the Series | AMP SMA



Battery Holders(1)



Between Series Adapters(4)



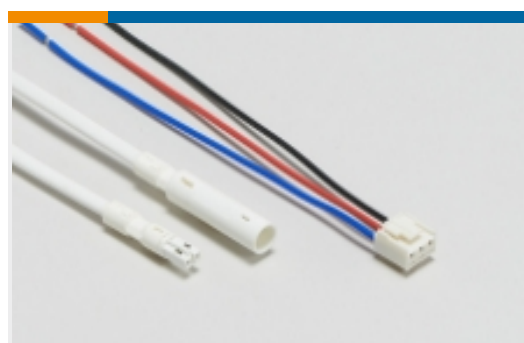
Coax Contacts(1)



Coax Terminators(1)



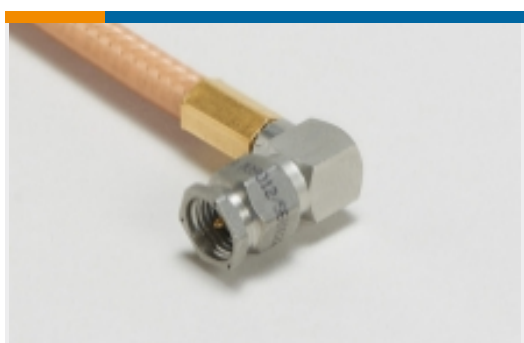
In-Series Adapters(36)



Power Cable Assemblies(1)



Rack & Panel Ferrules & Inserts(1)



RF Cable Assemblies(20)

KIT, COMMERIAL SMA PLUG ASSY

TE Part # 221117-2
TE Internal #: 221117-2



RF Connector Hardware(3)



RF Connector Launchers
(14)



RF Connector Shrouds(10)



RF Connectors(532)

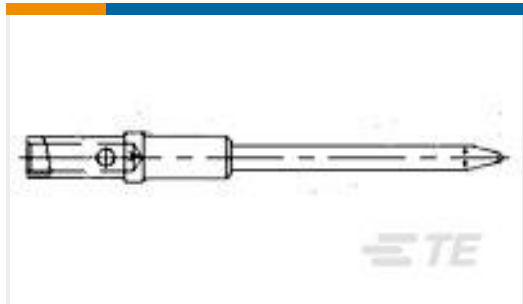
Customers Also Bought



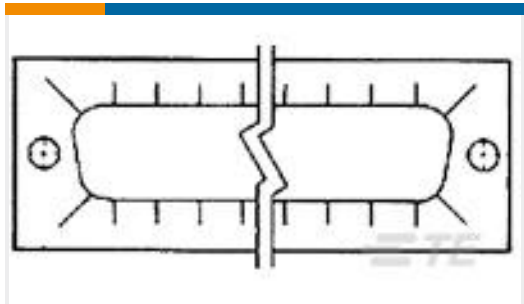
TE Part #221117-4
KIT, COMMERIAL SMA
PLUG ASSY



TE Part #1-5225661-3
SERIES N PLUG TR



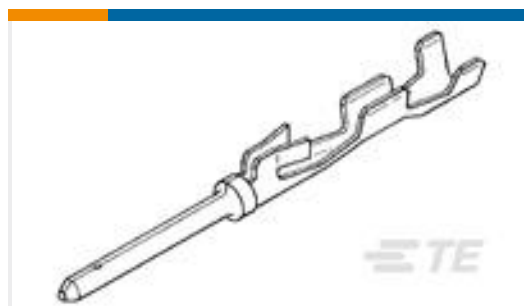
TE Part #208265-3
PIN CONT,XZ 20,NIC 600



TE Part #745777-4
RFI GASKET,SZ 4,PLTD TIN



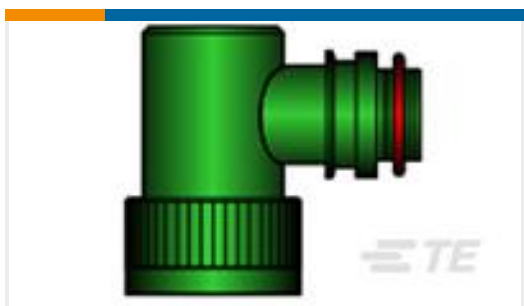
TE Part #207535-1
HSG,SINGLE POSN FREE
HANGING



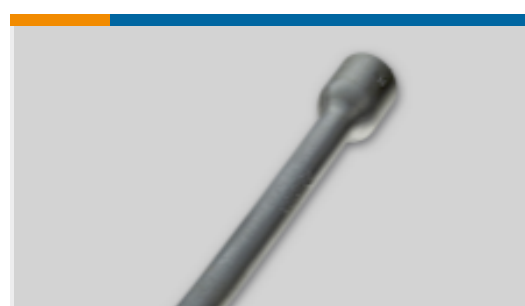
TE Part #1-745266-1
CONT,PIN,HDE,#22-26



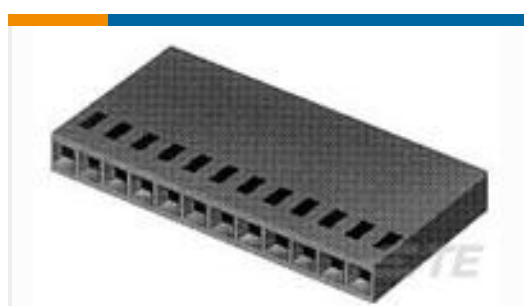
TE Part #86561-4
ROUND WIRE PIN L.P.



TE Part #433093-000
TXR54AB90-1608AI



TE Part #257897-000
202D232-3/180-0



TE Part #4-87499-2
22 MODIV HSG COMP SR.
100CL

Documents

Product Drawings

[KIT, COMMERIAL SMA PLUG ASSY](#)

English

CAD Files

[Customer View Model](#)

[ENG_CVM_221117-2_C.3d_stp.zip](#)

English

[Customer View Model](#)



[ENG_CVM_221117-2_C.2d_dxf.zip](#)

English

[3D PDF](#)

English

Customer View Model

[ENG_CVM_221117-2_C.3d_igs.zip](#)

English

Instruction Sheets

[Instruction Sheet \(U.S.\)](#)

English

[SMA Series Commercial 50-OHM RF Connectors for Flexible Cable](#)

English