

# HAND NON-LOGIC POWER UNIT ✓ ACTIVE

AMP

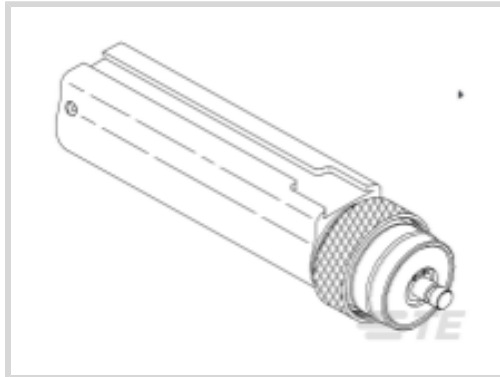
TE Part # 189721-1

TE Internal #: 189721-1

[View on TE.com >](#)



Application Tooling > Portable Crimp Tools



Tool Grade: **Premium Crimp Tooling**

Certification: **Cannot be Certified**

Power Type: **Pneumatic**

## Features

### Other

Tool Grade	Premium Crimp Tooling
Certification	Cannot be Certified
Power Type	Pneumatic

## Product Compliance

[For compliance documentation, visit the product page on TE.com>](#)

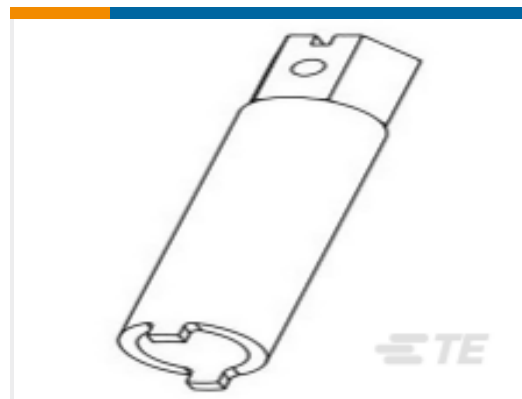
EU RoHS Directive 2011/65/EU	Out of Scope
EU ELV Directive 2000/53/EC	Out of Scope
China RoHS 2 Directive MIIT Order No 32, 2016	Not reviewed for China RoHS compliance
EU REACH Regulation (EC) No. 1907/2006	Current ECHA Candidate List: JAN 2019 (197) Candidate List Declared Against: JAN 2018 (181)
Halogen Content	Not Yet Reviewed for halogen content
Solder Process Capability	Not applicable for solder process capability

### Product Compliance Disclaimer

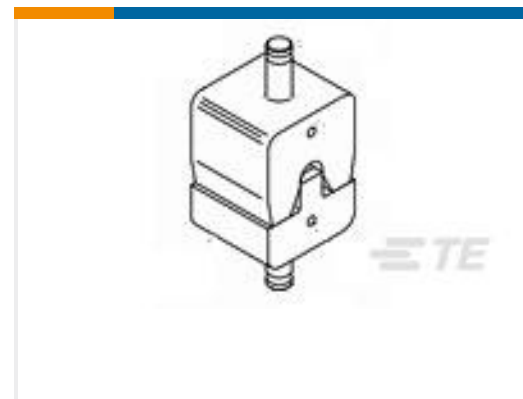
This information is provided based on reasonable inquiry of our suppliers and represents our current actual knowledge based on the information they provided. This information is subject to change. The part numbers that TE has identified as EU RoHS compliant have a maximum concentration of 0.1% by weight in homogenous materials for lead, hexavalent chromium, mercury, PBB, PBDE, DBP, BBP, DEHP, DIBP, and 0.01% for cadmium, or qualify for an exemption to these limits as defined in the Annexes of Directive 2011/65/EU (RoHS2). Finished electrical and electronic equipment products will be CE marked as required by Directive 2011/65/EU. Components may not be CE marked. Additionally, the part numbers that TE has identified as EU ELV compliant have a maximum concentration of 0.1% by weight in homogenous materials for lead, hexavalent chromium, and mercury, and 0.01% for cadmium, or qualify for an exemption to these limits as defined in the Annexes of Directive 2000/53/EC (ELV). Regarding the REACH Regulations, TE's information on SVHC in articles for this part number is still based on the European Chemical Agency (ECHA) 'Guidance on requirements for

substances in articles' (Version: 2, April 2011), applying the 0.1% weight on weight concentration threshold at the finished product level. TE is aware of the European Court of Justice ruling of September 10th, 2015 also known as O5A (Once An Article Always An Article) stating that, in case of 'complex object', the threshold for a SVHC must be applied to both the product as a whole and simultaneously to each of the articles forming part of its composition. TE has evaluated this ruling based on the new ECHA "Guidance on requirements for substances in articles" (June 2017, version 4.0) and will be updating its statements accordingly.

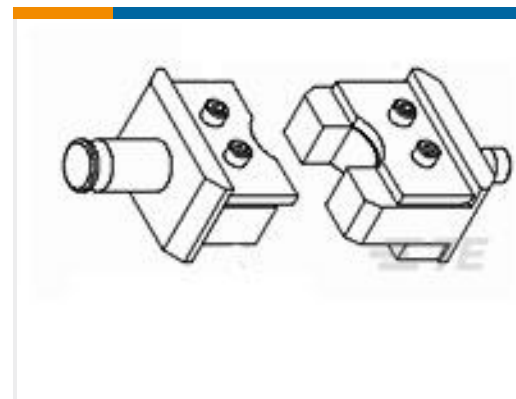
## Customers Also Bought



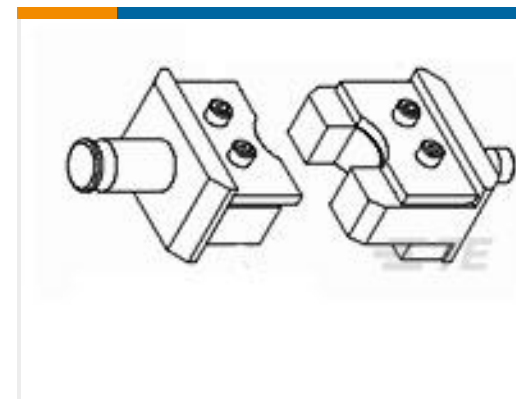
TE Part #1604972-1  
WRENCH, SPIGOT, JS &  
JACK POST



TE Part #68010  
DIE COPALUM SEALED  
69066



TE Part #47823  
DIE TERMINYL 69051 #2



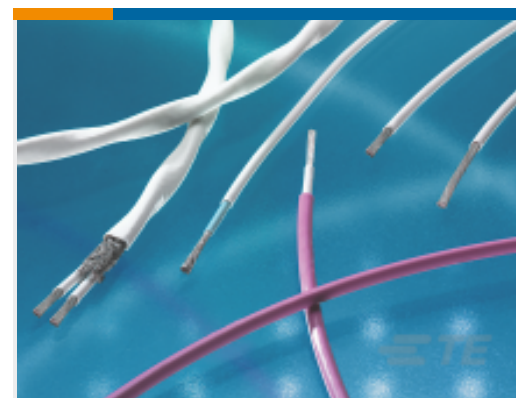
TE Part #47821  
DIE TERMINYL 69051 #6



TE Part #277774-000  
AE-900



TE Part #547918-000  
AE-424



TE Part #908877-000  
55PC6121-20-900



TE Part #91017-3  
AMP-INCERT TAB  
EXTRACTION TOOL



TE Part #993020-000  
IR-1000-P-N-13-LAMP



TE Part #6-1393122-8  
KHAU-17D13-24=KH

## Documents

### Datasheets & Catalog Pages

[CRIMPING WHERE FORM MEETS FUNCTION](#)

English

[Crimp Term Whitepaper-Use the Right Tool 1-1773953-1](#)

English

### Instruction Sheets

[626 Pneumatic Tooling Assemblies 189721-\[ \] and 189722-\[ \]](#)

French

[626 Pneumatic Tooling Assemblies 189721-\[ \] and 189722-\[ \]](#)

English



[626 Pneumatic Tooling Assemblies 189721-\[\] and 189722-\[\]](#)

[626 Pneumatic Tooling Assemblies 189721-\[\] and 189722-\[\]](#)

German

[626 Pneumatic Tooling Assemblies 189721-\[\] and 189722-\[\]](#)

[626 Pneumatic Tooling Assemblies 189721-\[\] and 189722-\[\]](#)

[626 Pneumatic Tooling Assemblies 189721-\[\] and 189722-\[\]](#)

[626 Pneumatic Tooling Assemblies 189721-\[\] and 189722-\[\]](#)

---

### Agency Approvals

[CE Declaration of Conformity](#)

[CE Declaration of Conformity](#)

[CE Declaration of Conformity](#)

[CE Declaration of Conformity](#)

[CE Declaration of Conformity](#)

[CE Declaration of Conformity](#)

English

[CE Declaration of Conformity](#)

French

[CE Declaration of Conformity](#)

German