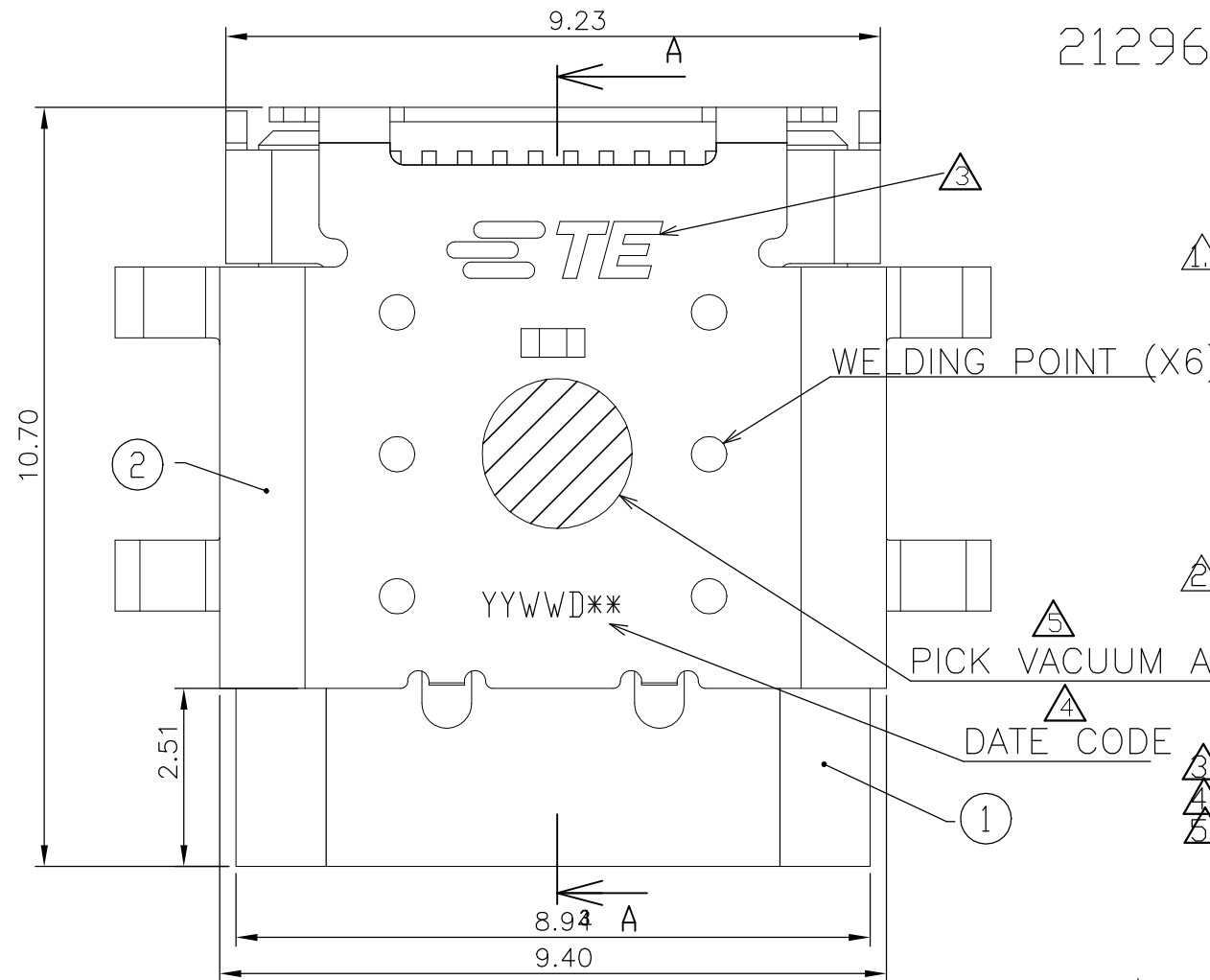


P	LTR	DESCRIPTION	DATE	DWN	APVD
B		REVISED PER ECR-18-017667	20NOV2018	T.Z	S.L

2129691-1; AS SHOWN

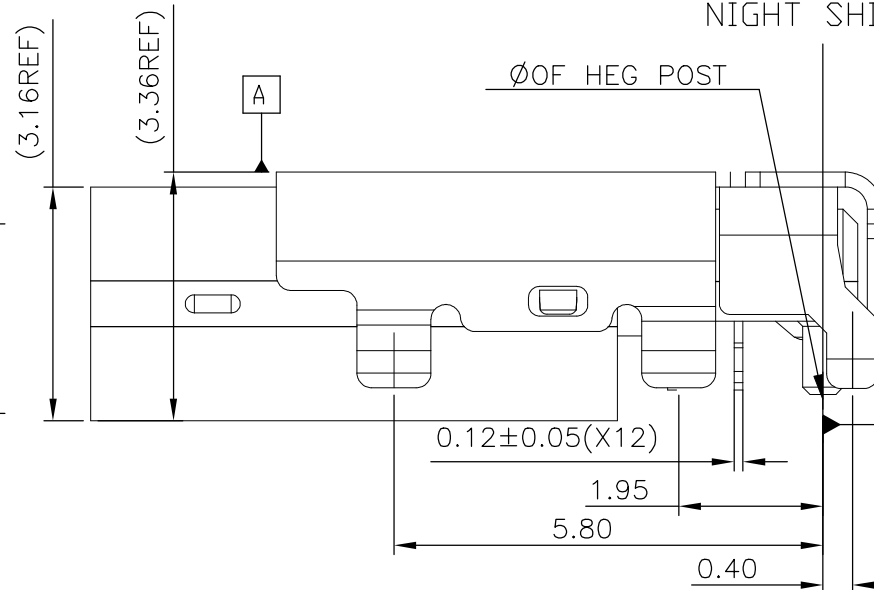
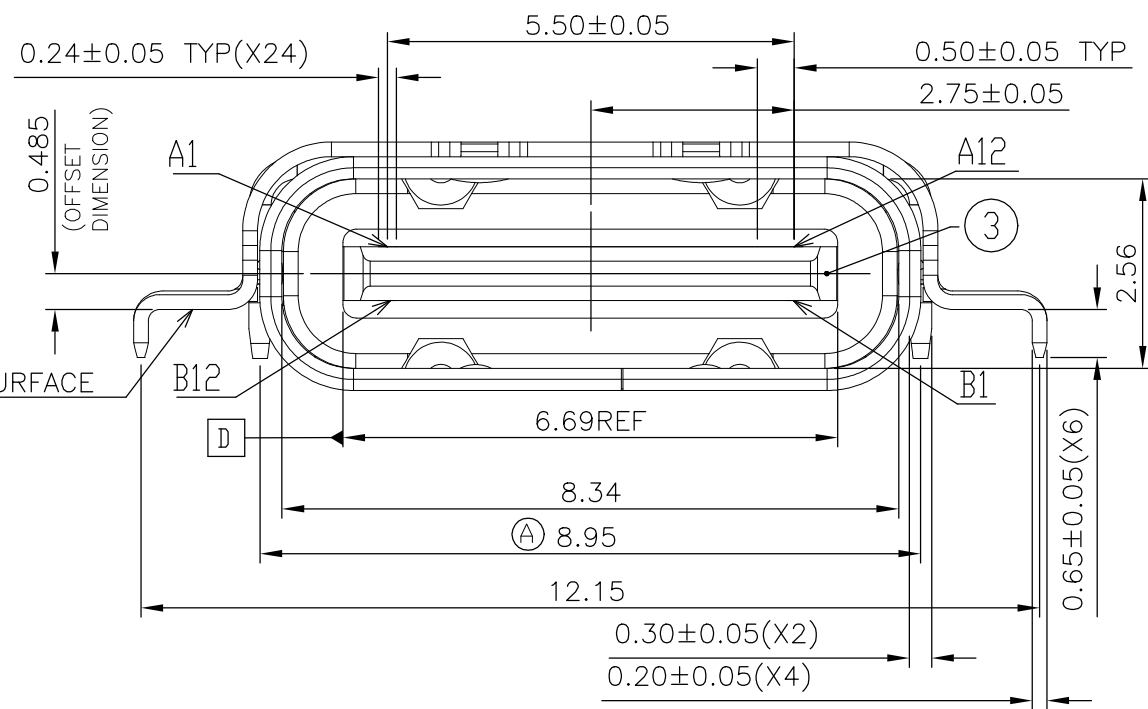


- MATERIAL :**
- ① SHELL : STAINLESS STEEL
  - ② SHELL BRACKET : STAINLESS STEEL
  - ③ HOUSING : HIGH TEMPERATURE THERMO PLASTIC, BLACK, UL94V-0
  - ④ SECONDARY HIGH TEMPERATURE THERMO PLASTIC, BLACK, UL94V-0
  - ⑤ UPPER INNER SHELL : STAINLESS STEEL
  - ⑥ LOWER INNER SHELL : STAINLESS STEEL
  - ⑦ UPPER CONTACT : COPPER ALLOY
  - ⑧ LOWER CONTACT : COPPER ALLOY
  - ⑨ MID-PLATE : STAINLESS STEEL

- FINISH :**
- ⑤ CONTACT : ALL OVER NI PLATING(2.0um)  
CONTACT AREA AU PLATING (0.75um)  
SOLDERTAIL AREA TIN PLATING(2.0um)
  - ④ SHELL : ALL OVER NI PLATING (1.3um)  
BRACKET : ALL OVER NI PLATING (1.3um)
  - ③ TE LOGO
  - ④ DATE CODE
  - ⑤ VACUUM AREA

ASSY LINE NO.  
A,B,C,\*\*\*

④YYWWD\*\*  
DAY SHIFT OR NIGHT SHIFT



Q'TY	NAME	ITEM
1	MID PLATE	⑥
12	LOWER CONTACT	⑤
12	UPPER CONTACT	④
1	MAIN I/M	③
1	SHELL BRACKET	②
1	SHELL	①

THIS DRAWING IS A CONTROLLED DOCUMENT.		DWN T.ZHU 26APR2018
DIMENSIONS: mm		CHK S.LI 26APR2018
TOLERANCES UNLESS OTHERWISE SPECIFIED		APVD S.LI 26APR2018
0 PLC ±	±0.25	PRODUCT SPEC
1 PLC ±	±3°	APPLICATION SPEC
2 PLC ±	±	WEIGHT
3 PLC ±	±	CUSTOMER DRAWING
4 PLC ±	±	
ANGLES ±	±	
MATERIAL ①	FINISH ②	



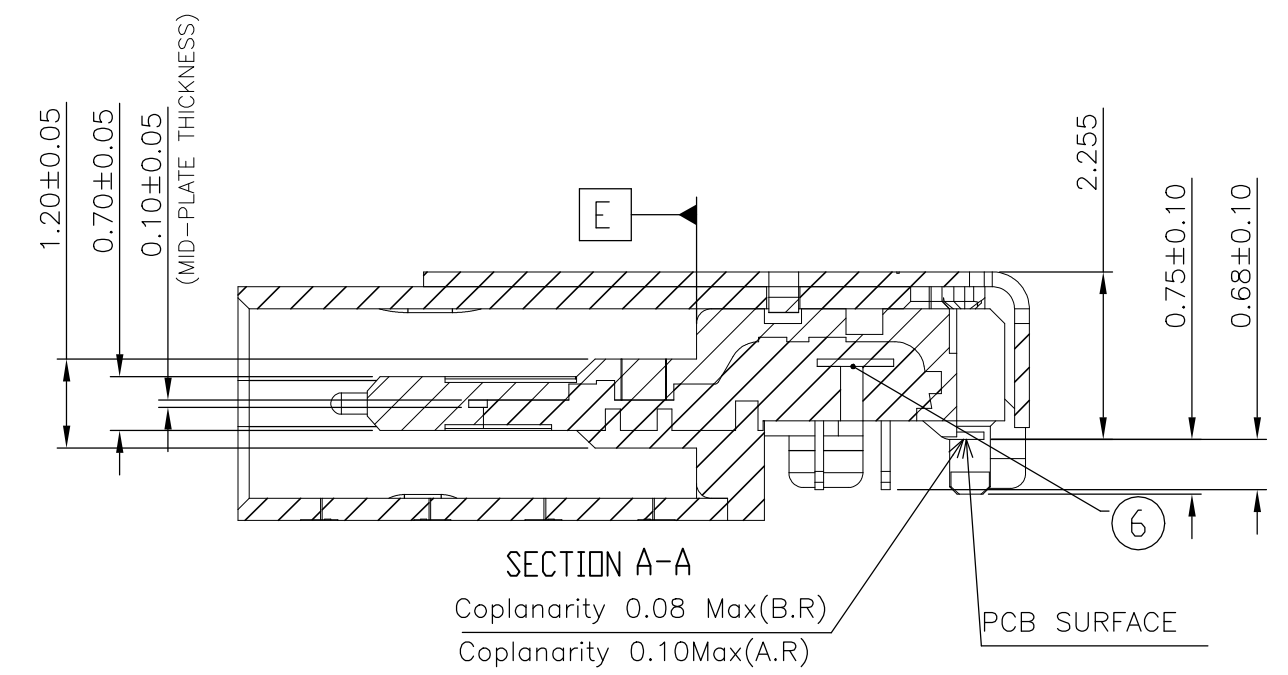
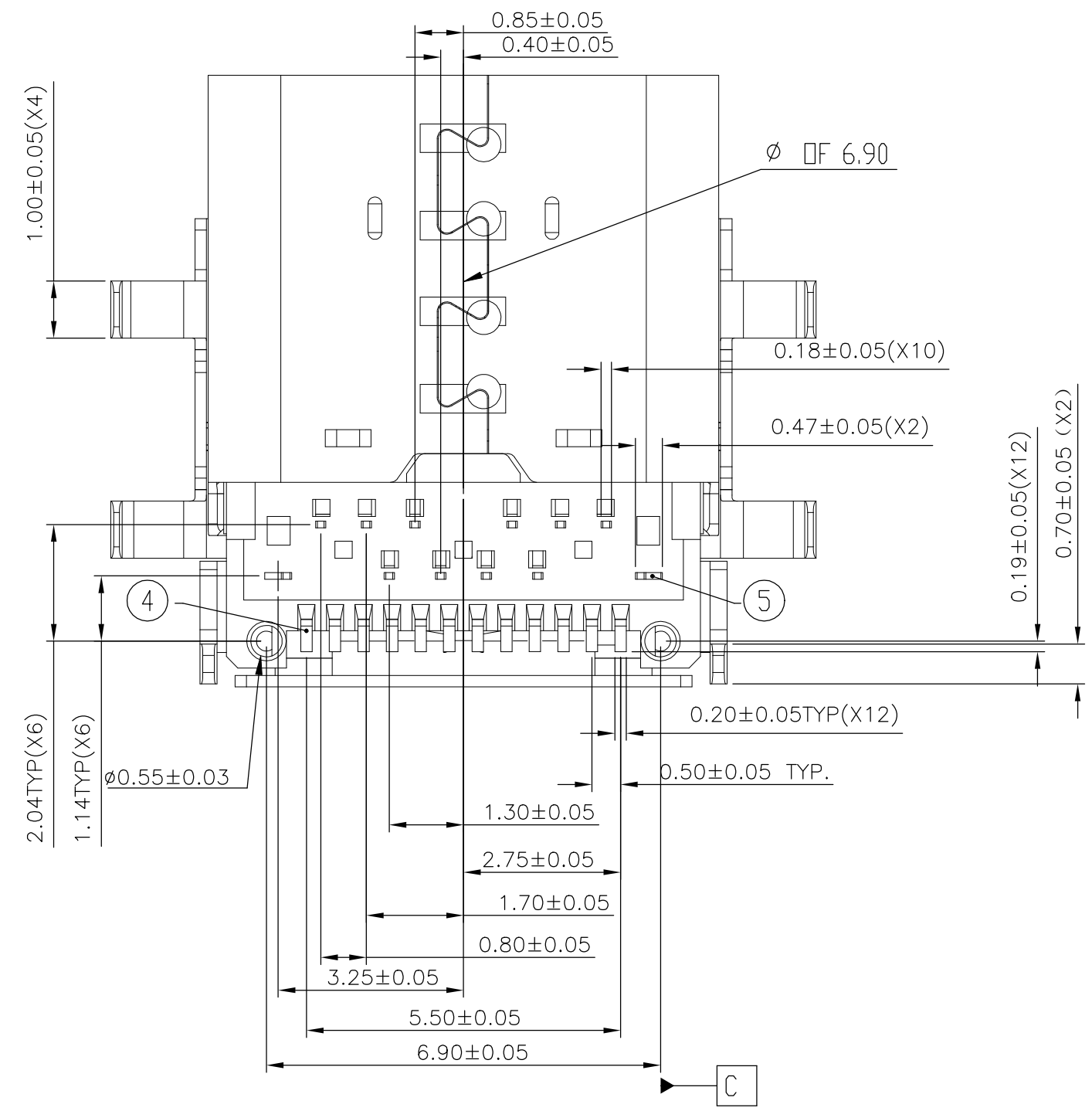
TYPE-C RECEPTACLE ASSEMBLY  
OFFSET 0.485MM HYBRID TYPE

SIZE A3	CAGE CODE 00779	DRAWING NO C-2129691	RESTRICTED TO
SCALE 8/1	SHEET 1 OF 4	REV B	

REVISIONS

P	LTR	DESCRIPTION	DATE	DWN	APVD
-	-	SEE SHEET 1	-	-	-

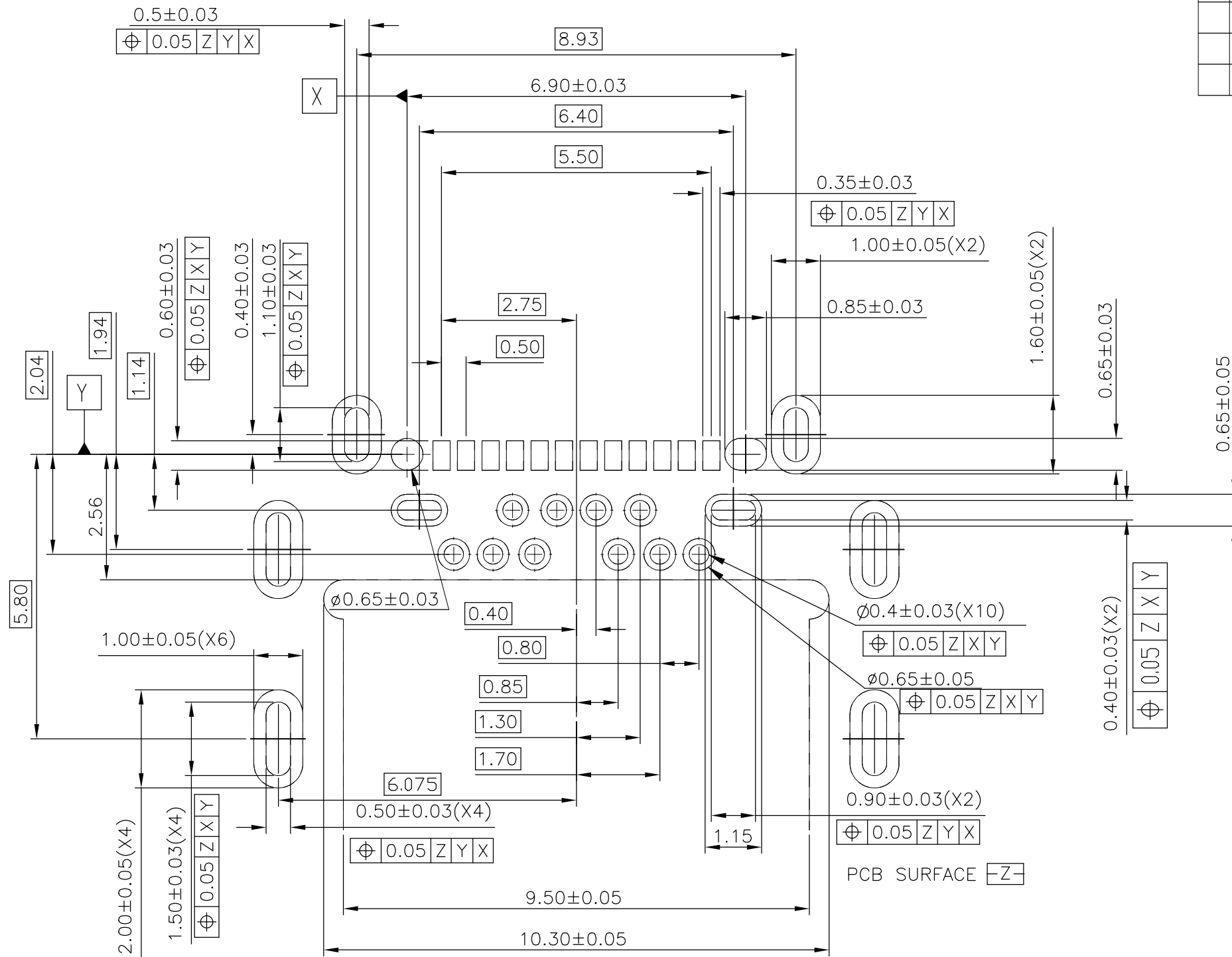
2129691-1; AS SHOWN



THIS DRAWING IS A CONTROLLED DOCUMENT.		DWN	-	TE Connectivity TYPE-C RECEPTACLE ASSEMBLY OFFSET 0.485MM HYBRID TYPE	
DIMENSIONS: mm		CHK	-		
TOLERANCES UNLESS OTHERWISE SPECIFIED		APVD	-		
0 PLC ± 1 PLC ±0.25 2 PLC ± ±3° 3 PLC ± ±3° 4 PLC ± ANGLES ± FINISH -		PRODUCT SPEC	-		
MATERIAL -		APPLICATION SPEC	-	NAME	-
		WEIGHT	-	SIZE	A3
		CUSTOMER DRAWING	-	CAGE CODE	00779
				DRAWING NO	C-2129691
				RESTRICTED TO	-
				SCALE	8/1
				SHEET	2 OF 4
				REV	B

REVISIONS

P	LTR	DESCRIPTION	DATE	DWN	APVD
-	-	SEE SHEET 1	-	-	-



THIS DRAWING IS A CONTROLLED DOCUMENT.

DWN	-	TE Connectivity	NAME TYPE-C RECEPTACLE ASSEMBLY OFFSET 0.485MM HYBRID TYPE		
CHK	-				
APVD	-				
PRODUCT SPEC	-				
APPLICATION SPEC	-	SIZE	CAGE CODE	DRAWING NO	RESTRICTED TO
WEIGHT	-	A3	00779	C=2129691	-
CUSTOMER DRAWING		SCALE	SHEET	OF	REV
		8/1	3	4	B

DIMENSIONS:  
mm

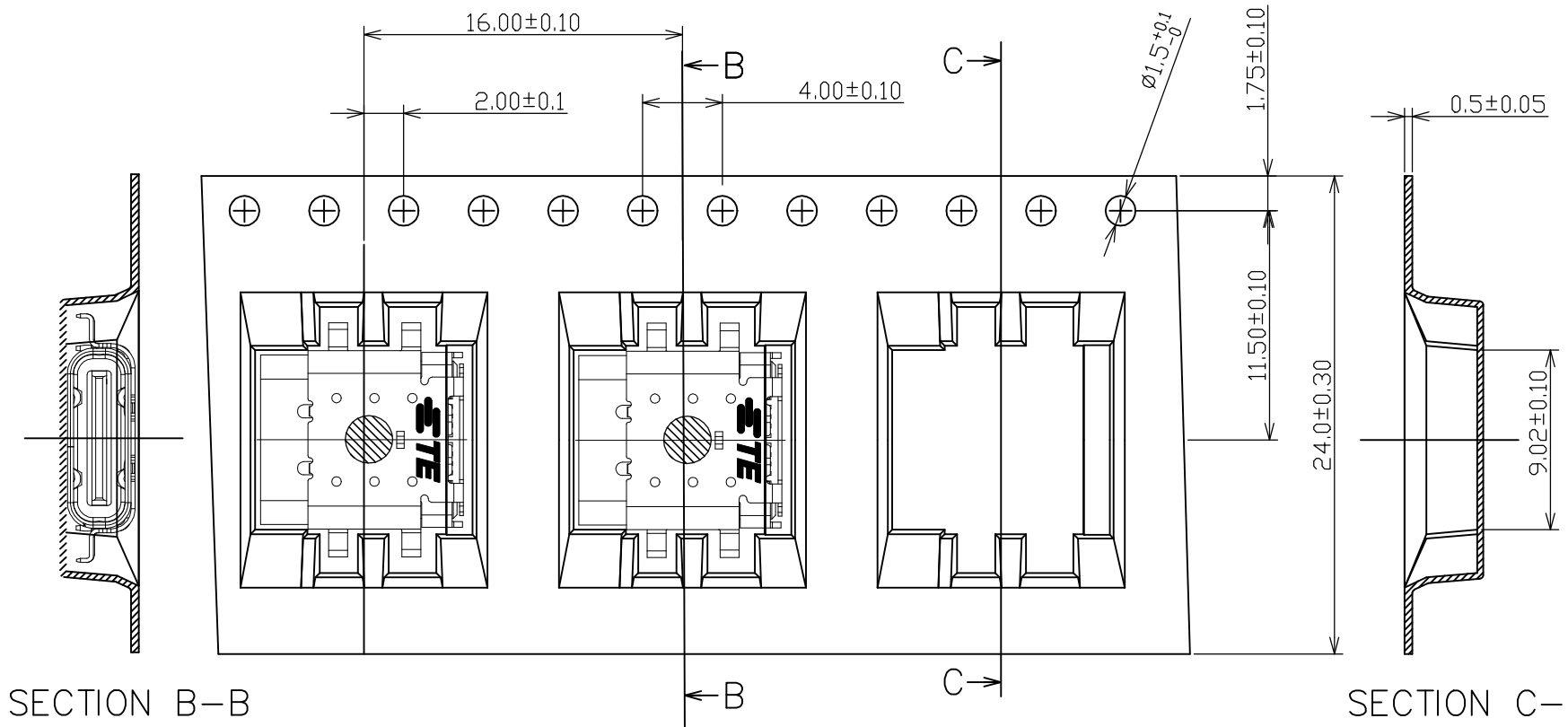
TOLERANCES UNLESS OTHERWISE SPECIFIED

0 PLC ±-  
 1 PLC ± 0.05  
 2 PLC ± 1°  
 3 PLC ±-  
 4 PLC ±-  
 ANGLES ±-  
 FINISH -

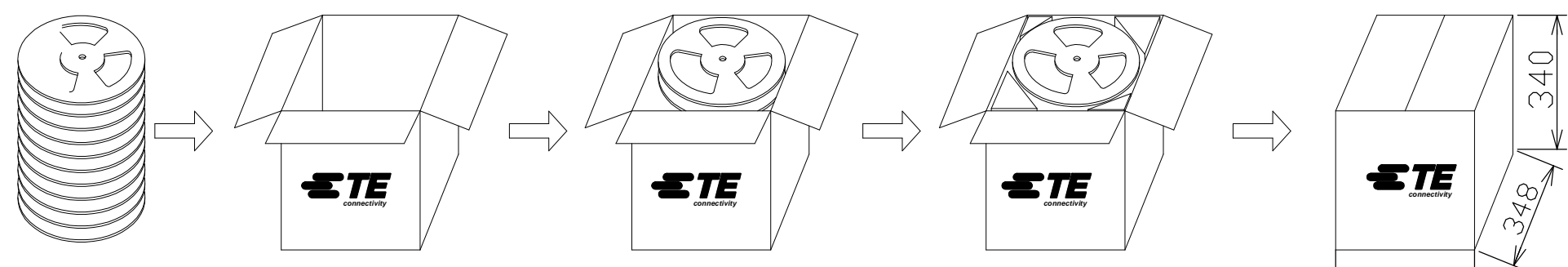
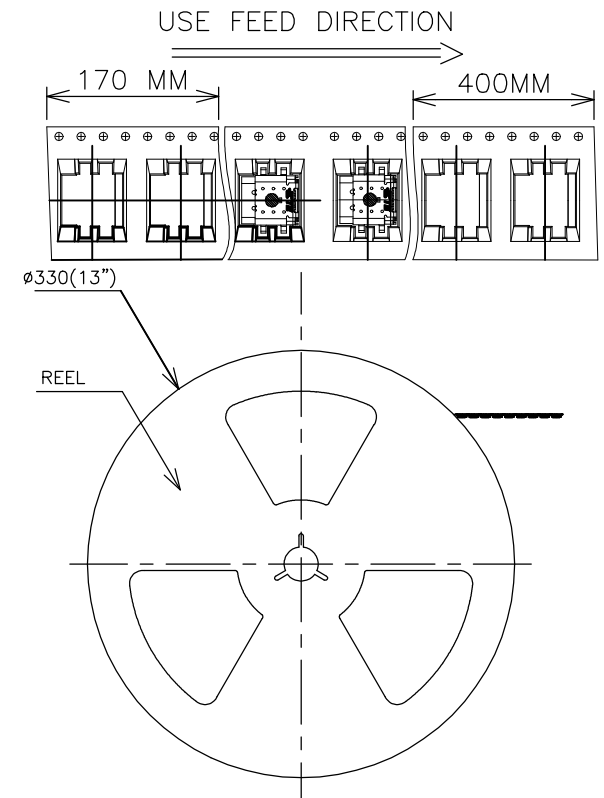
MATERIAL

DWN	-
CHK	-
APVD	-
PRODUCT SPEC	-
APPLICATION SPEC	-
WEIGHT	-

REVISIONS					
P	LTR	DESCRIPTION	DATE	DWN	APVD
-	-	SEE SHEET 1	-	-	-



- NOTES:
- 1.P/N.:P-ZA-172300
  - 2.USED ON USB TYPE C RECEP.CONNECTOR PRODUCTS.
  - 3.PACKAGE:1000PCS/REEL,10REELS/BOX
  - 4.MATERIAL:TRANSPARENT CONDUCTIVE POLYSTRENE ALLOY
  - 5.APPLICABLE DOCUNMENTS:EIA-481-D
  - 6:AFTER UNREELING DIRECTION MUST HAVE 11PCS BLANK.(170mm Min)
  - 7:BEFORE UNREELING DIRECTION MUST HAVE 25PCS BLANK.(400mm Min)



THIS DRAWING IS A CONTROLLED DOCUMENT.		DWN	-	TE Connectivity TYPE-C RECEPTACLE ASSEMBLY OFFSET 0.485MM HYBRID TYPE	
DIMENSIONS: mm		CHK	-		
TOLERANCES UNLESS OTHERWISE SPECIFIED		APVD	-		
0 PLC ± 1 PLC ± ±0.05 2 PLC ± ±1° 3 PLC ± ± 4 PLC ± ± ANGLES ± MATERIAL - FINISH -		PRODUCT SPEC	-		
MATERIAL		APPLICATION SPEC	-	SIZE	A3
		WEIGHT	-	CAGE CODE	00779
		CUSTOMER DRAWING		DRAWING NO	C-2129691
				RESTRICTED TO	-
				SCALE	8/1
				SHEET	4 OF 4
				REV	B