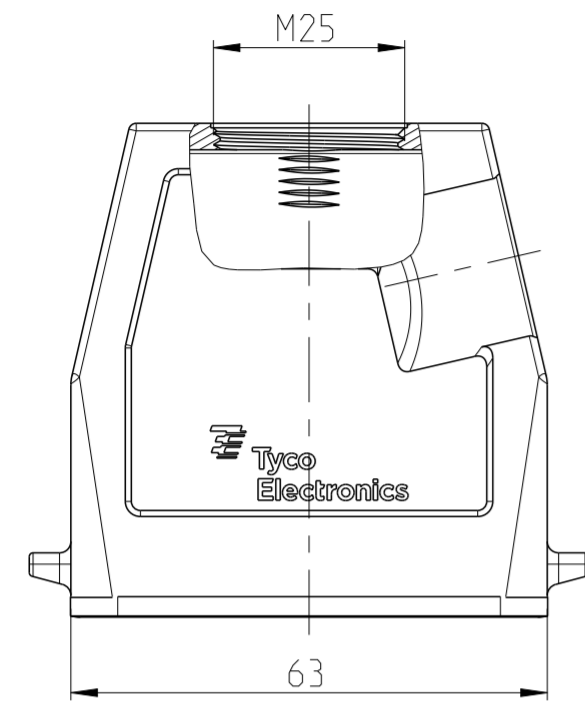
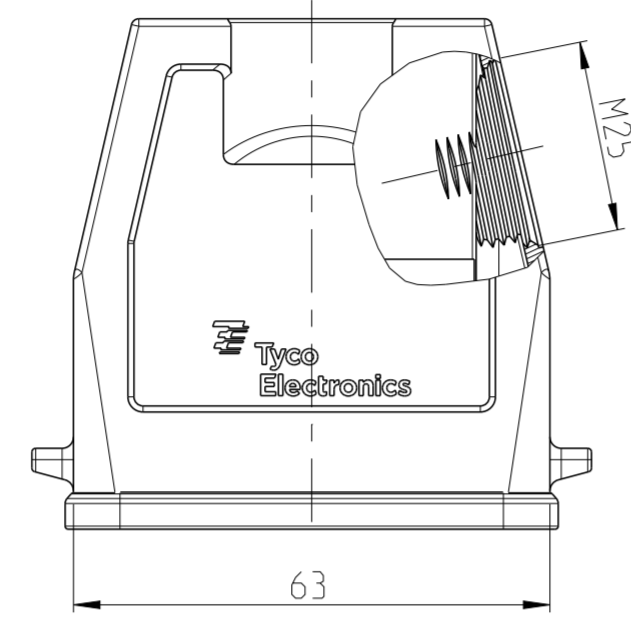


REVISIONS					
P	LTR	DESCRIPTION	DATE	DWN	APVD
E3		ECR-09-022009	18NOV2009	SR	OD
E4		REVISED PER ECR-17-014013	10JAN2018	SRG	MKO

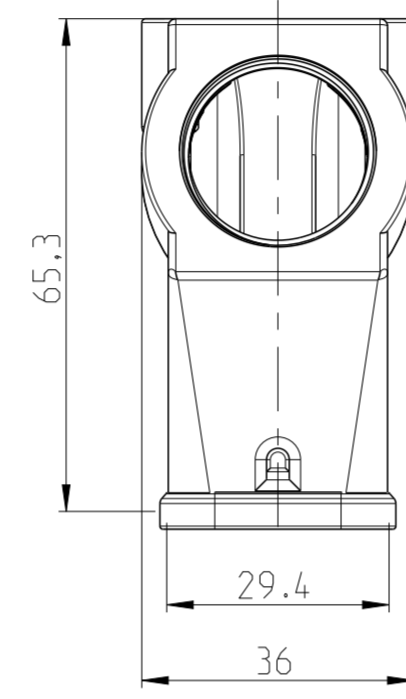
PN 0-1 AS SHOWN



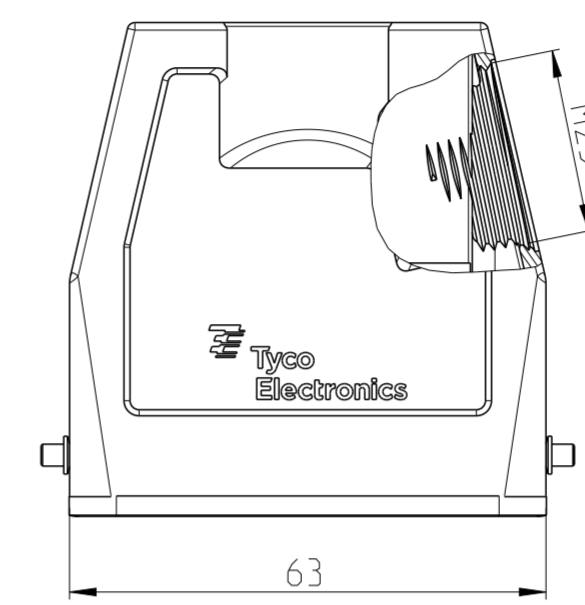
PN 0-2 AS SHOWN



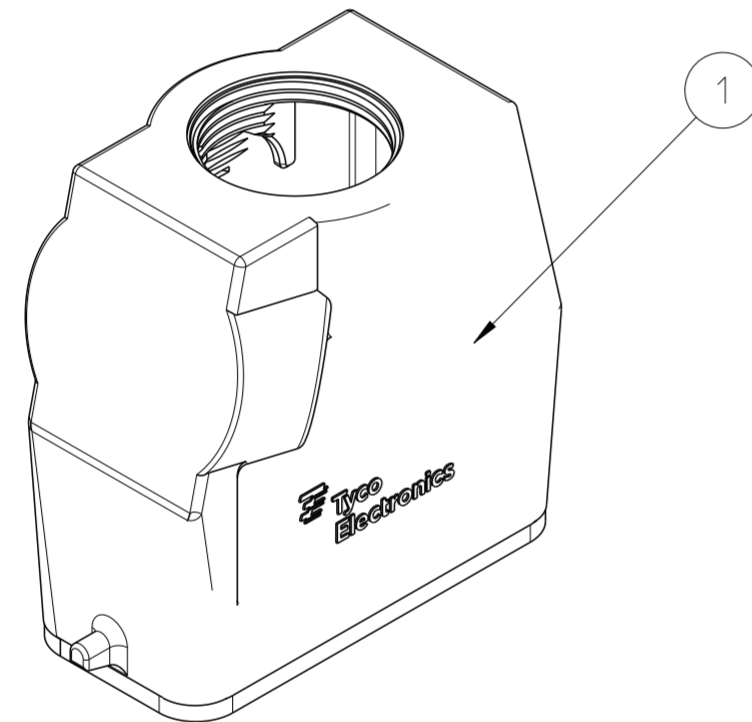
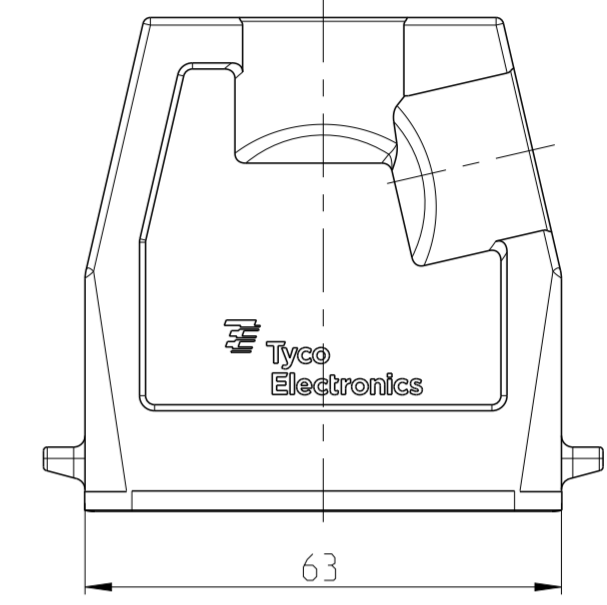
PN 0-2 AS SHOWN



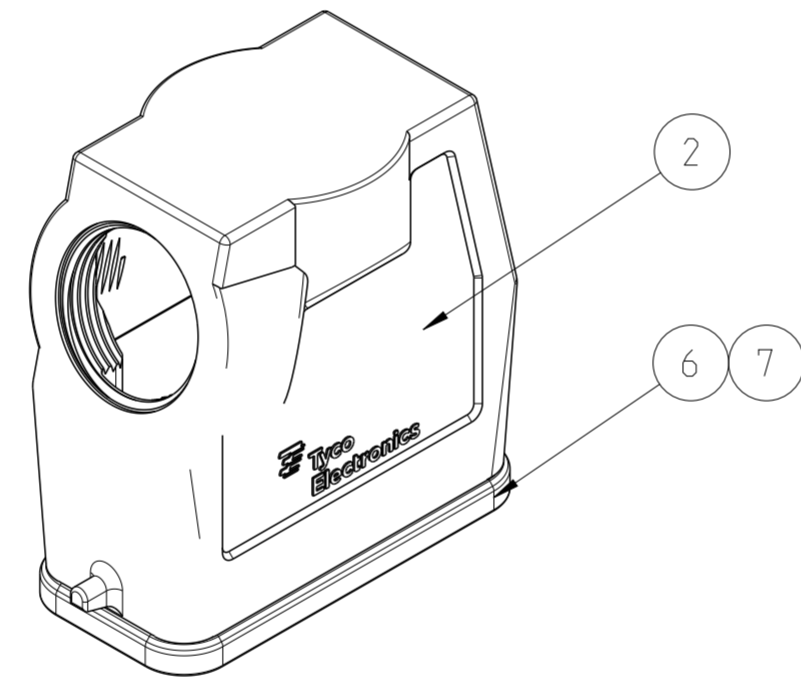
PN 0-4 AS SHOWN



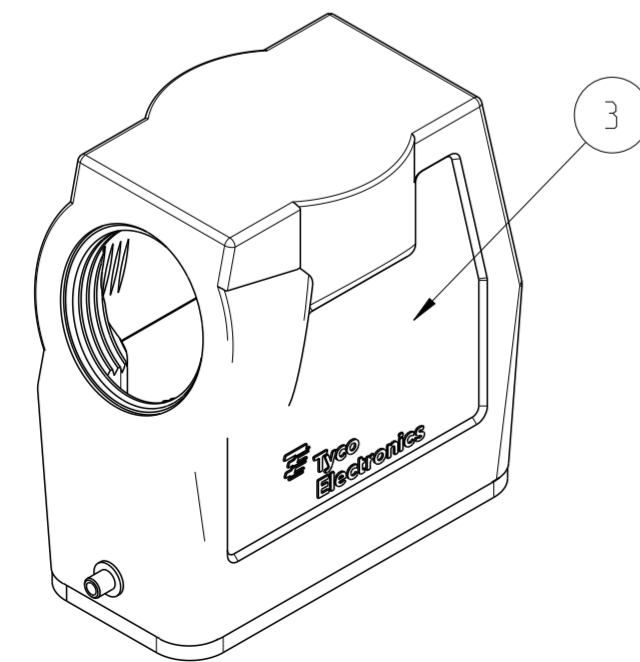
PN 0-5 AS SHOWN



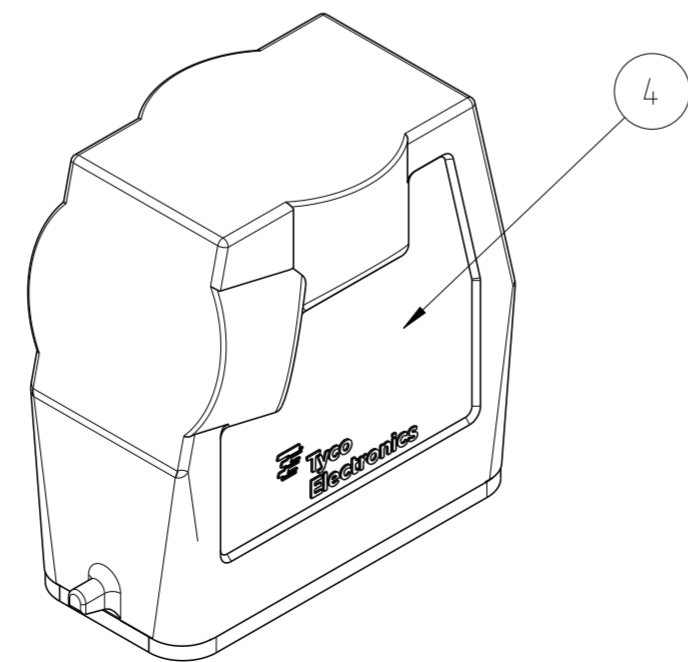
PN 0-1 AS SHOWN



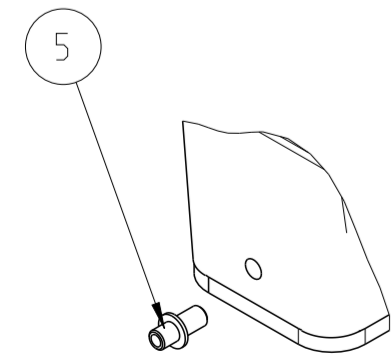
PN 0-2 AS SHOWN



PN 0-4 AS SHOWN



PN 0-5 AS SHOWN



NOTES:

- 1 PACKAGING QUANTITY: 5 PIECES PER BOX
- MATERIAL: HOUSING: ALUMINUM DIE CAST ALLOY
SEALS: NEOPRENE
- 2 SURFACE: VARNISH GREY
ALUMINUM OXIDE + VARNISH BLACK
- 3 VARNISH ON THE INSIDE NOT NECESSARY

OBSOLETE	OBSOLETE	OBSOLETE								
2	2	2	2	INSULATING TAPE	COROPLAST TYP 303			GREY RAL7001	7	PVC SOFT
1	1	1	1	PROFILE SEAL	NEOPRENE			BLACK	6	
	2			CLIP BOLT	STAINLESS STEEL	BLANK			5	
1				HOOD HD	ALU. ALLOY			GREY RAL7001	4	
	1			HOOD HD	ALU. ALLOY	ALUMINUM OXID		BLACK	3	
		1		HOOD HD	ALU. ALLOY			GREY RAL7001	2	
			1	HOOD HD	ALU. ALLOY			GREY RAL7001	1	
0-5	0-4	0-2	0-1	DESCRIPTION	MATERIAL		SURFACE	COLOR	ITEM	NOTES
				HD-15.STO.1.M25.G						
				HD-15.STS.1.M25.G						
				HD-K.15.STS.1.M25.G						
				HD-15.ST						

THIS DRAWING IS A CONTROLLED DOCUMENT. DWN V.GLUMM 18NOV2009

CHK -

APVD -

PRODUCT SPEC -

APPLICATION SPEC -

WEIGHT -

CUSTOMER DRAWING

SCALE 5:1 SHEET 1 OF 1 REV E4

STE TE Connectivity

NAME CONNECTOR HOUSING ASS'Y
SERIES HD.15 METRIC THREAD

SIZE A2 CAGE CODE 00779 DRAWING NO C-1106414 RESTRICTED TO