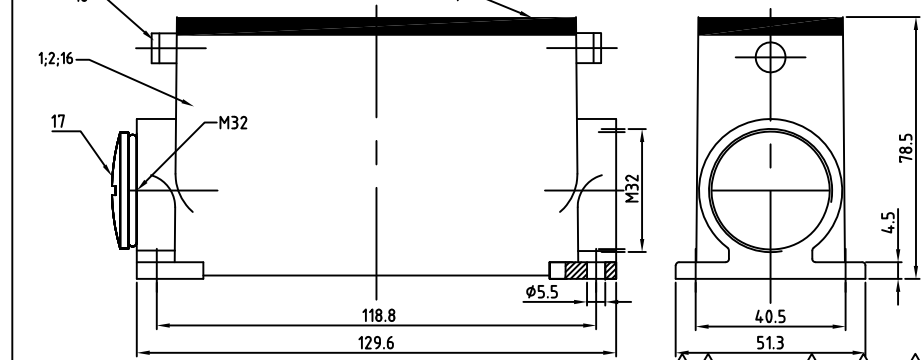
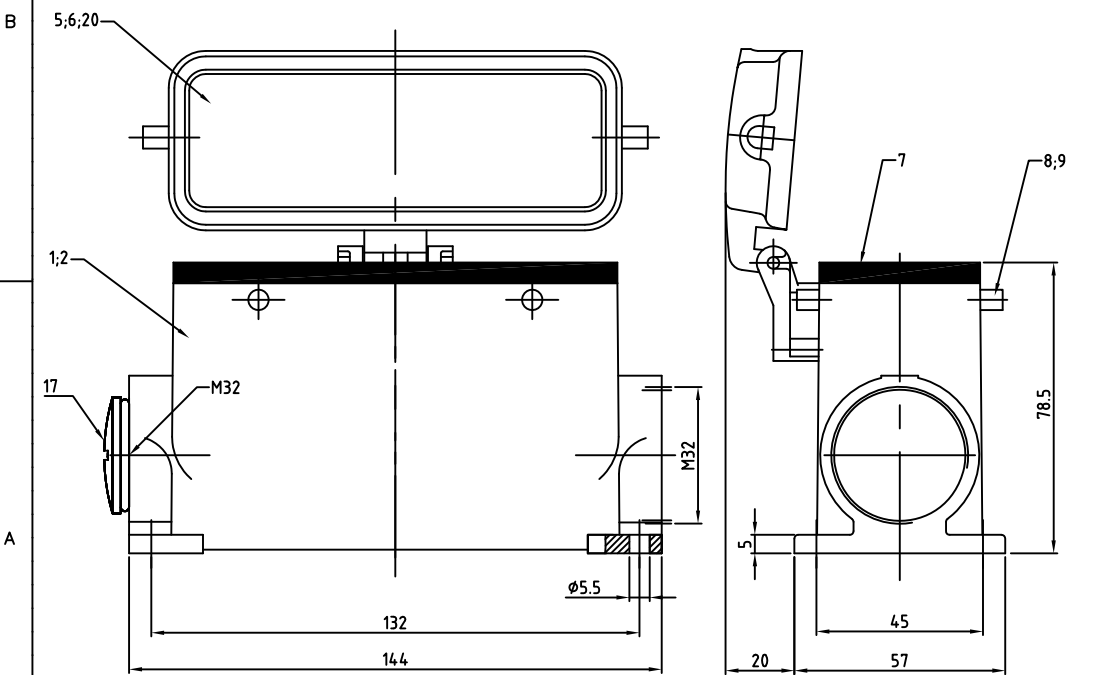
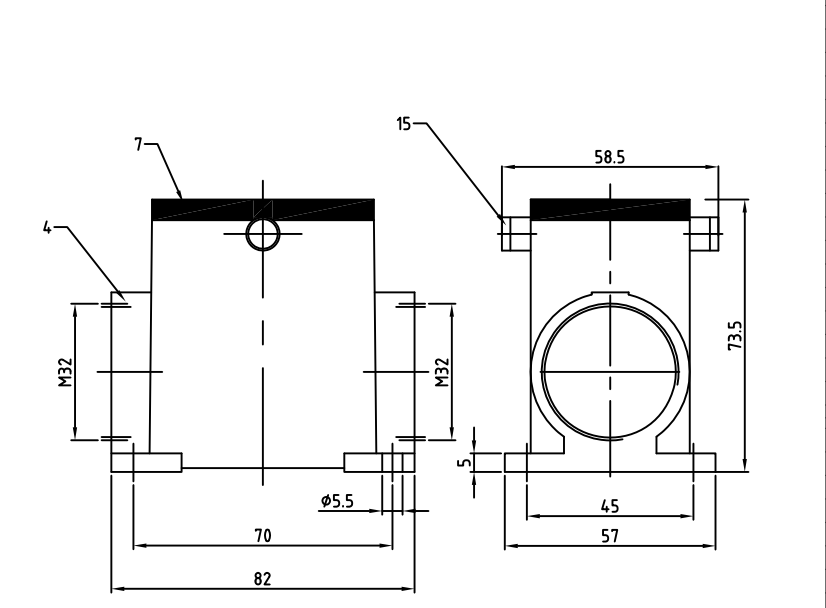
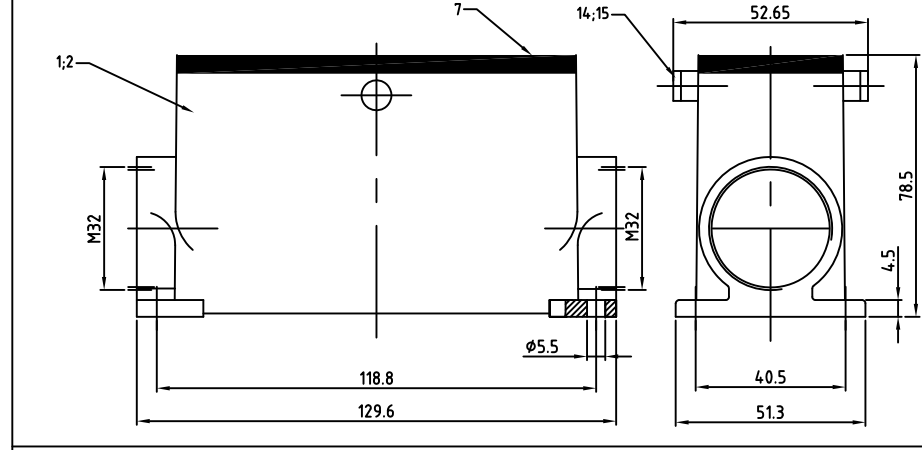
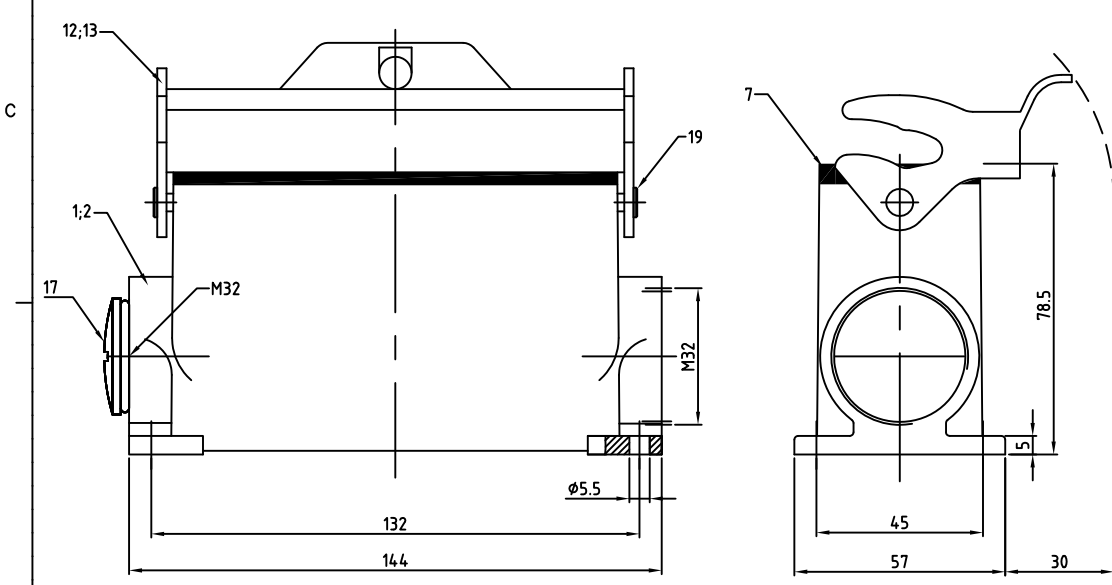
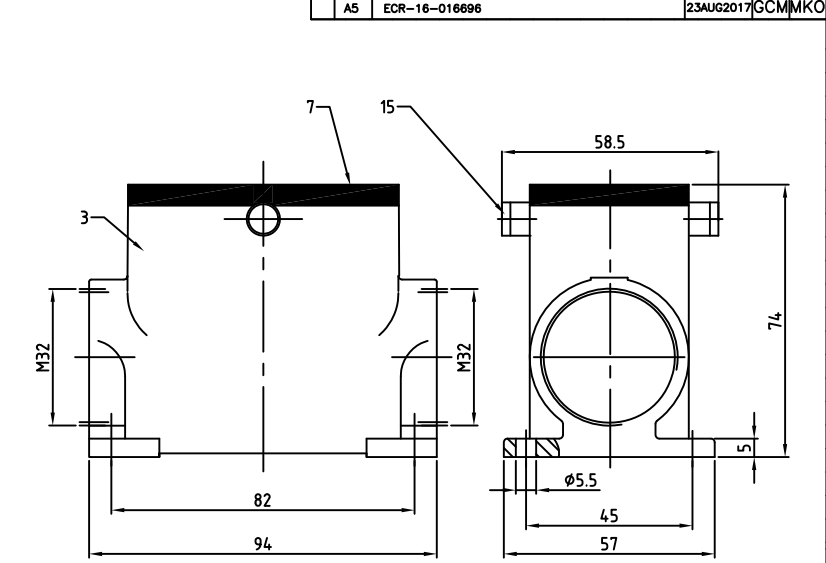
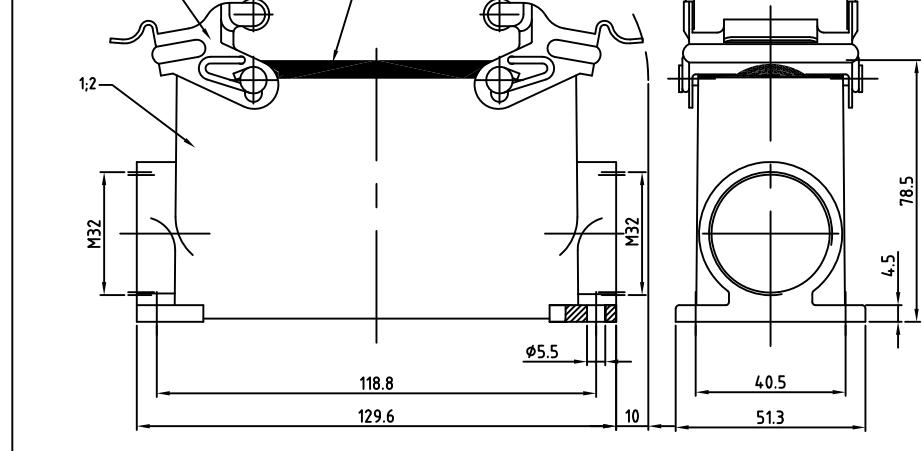
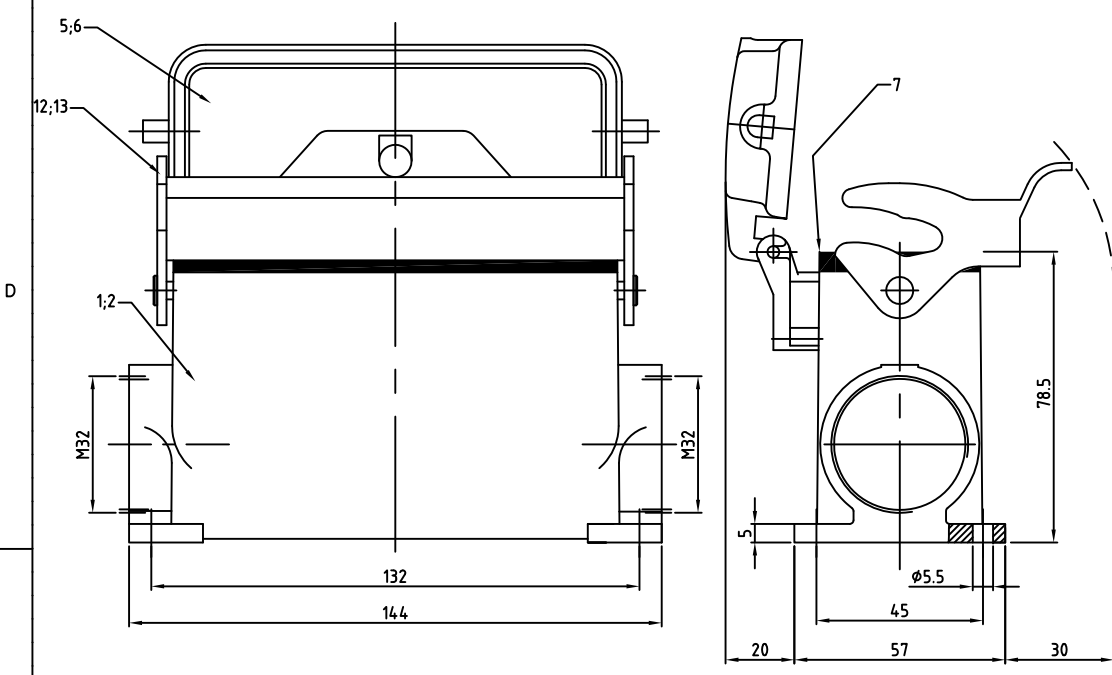


THIS DRAWING IS UNPUBLISHED.
VERTRÄGLICHE UNVERÖFFENTLICHTE ZEICHNUNG
© COPYRIGHT - TE Connectivity
RELEASED FOR PUBLICATION
FÜR PUBLIK VERFÜGBAR
ALLE RECHTE VORBEHALTEN.

REVISIONS					
#	LTR	DESCRIPTION	DATE	BY	APPD
A5	ECR-16-016696	ÄNDERUNGEN BESCHRIEBEN BESCHREIBUNG	23AUG2017	GCM	MKO



- NOTES:
- Material: Housing: aluminium diecasting alloy
Seals: NEOPRENE
 - SURFACE: VARNISH- GREY
- ALUMINIUM OXID +
VARNISH BLACK
- PACKAGING:
PACKAGING QUANTITY: 5 PIECES
 - SPECIAL PACKAGING: Krauss-Maffei
PACKAGING UNIT: 50 PIECES IN Krauss-Maffei-Box
 - WITHOUT HTS LOGO
 - VARNISH ON THE INSIDE NOT NECESSARILY
 - OBSOLETE

QTY	DESCRIPTION	MATERIAL	SURFACE	COLOR	ITEM NO.	REMARKS
1	cover	aluminium/ALU		grau	20	ohne Logo
2	clip positioner	steel	verzinkt/zink plated	blue	19	
2	clip bolt	steel		blue	18	
1	Blanking Piece with Seal	steel		blue	17	M64
1	surface mounted housing side entry	aluminium/ALU		grau	16	ohne Logo
2	clip bolt	stainless steel		blue	15	
2	clip bolt	steel	zink plated	blue	14	
1	side clip	stainless steel		blue	13	
1	side clip	steel	zink plated	blue	12	
1	clip positioner	stainless steel		blue	11	
2	clip positioner	steel	zink plated	blue	10	
1	clip bolt	stainless steel		blue	9	
1	clip bolt	steel	zink plated	blue	8	
1	seal	Neoprene		schwarz	7	
1	cover	aluminium/ALU	aluminium oxid	schwarz	6	
1	cover	aluminium/ALU		grau	5	
1	surface mounted housing side entry	aluminium/ALU	aluminium oxid	schwarz	4	BG3
1	surface mounted housing side entry	aluminium/ALU	aluminium oxid	schwarz	3	BG4
1	surface mounted housing side entry	aluminium/ALU	aluminium oxid	schwarz	2	BG8
1	surface mounted housing side entry	aluminium/ALU		grau	1	

1-6 1-5 1-4 1-1 1-0 9-1 3-1 2-1 1-0 0-8 0-7 0-6 0-5 0-4 0-3 0-2 0-1

THIS DRAWING IS A CONTROLLED DOCUMENT.
DIESE ZEICHNUNG IST EIN KONTROLLIERTES DOKUMENT.

DRG: Schneider 30.09.03
GK: Schneider 30.09.03

PRODUCT SPEC: HD.16/24/64.SG.2.M32.Z
APPLICATION SPEC: VIKARSTUFTENSPEC.

SIZE: A1
CAGE CODE: 00779
DRAWING NO: 1106469

CUSTOMER DRAWING / KUNDENZEICHNUNG
SCALE: MASSTAB 1:1
SHEET: 1 OF 1
REV: A5