



FCS-03

FCS Series Flow Sensor

Features

- ◆ Rugged high grade Noryl
- ◆ Minimum pressure drop
- ◆ Operates from a small head of water
- ◆ Mount in any axis
- ◆ Suitable for water and air flow switching

Comments

- ◆ 3/8" BSP Male threaded fittings
- ◆ Fuels & Oils, Solvents, Organic, Boiling Water, Acids, Organic, Drinking Water (Potable Water), Deionised Water, Acids, Inorganic, Alcohols, Water
- ◆ Reed Switch Reliability File E125629
- ◆ Meets UL 94-HB flammability rating
- ◆ Food grade material

Applications

- ◆ Leak detection
- ◆ Flow sensing
- ◆ Mains water control
- ◆ Cooling systems
- ◆ Circulation pump protection

FCS-03

FS Series | Flow Sensor

Material

Housing Material	PPS
Shuttle Material	PPS
Spring Material	Stainless Steel
Contact Material	Ruthenium
Operating Temperature °C	-30 to 100
Medium	Water
Housing Colour	White

Mechanical Specifications

Shock	50g For A 11ms Duration
Vibration	35g up to 500Hz
Maximum Pressure	10 Bar @ 20°C
IP	IP65
Switch On Flow Rate L/min	0.6

Switching

Switch Action (Reed Switch)	SPST
Max Switching Voltage VDC	200
Max Switching Voltage VAC	250
Max Switching Current Amps	1
Max Switching Load Watt	40
Operate Mode	N/O, Close With Flow
Contact Form	A

Cable

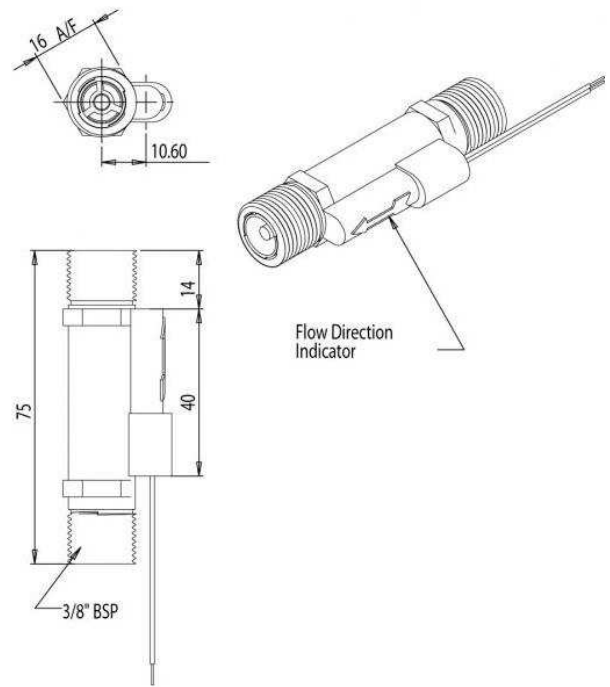
Cable Length	2 x 0.5M single insulated
Connection Type	Stripped Cables
Cable Type	22AWG, 16/0.2mm PVC insulated
Cable Colour	Black/Black

Mounting

Fitting	3/8" BSP Thread
Fitment	In Line
Mounting	Any Axis

Technical Drawing

FCS-03



NORTH AMERICA & EUROPE

MEAS Deutschland GmbH
a TE Connectivity Company
Phone: +49-800-522-6752
Email: customercare.hmpt@te.com

ASIA

Measurement Specialties (China), Ltd.,
a TE Connectivity Company
Phone: +86-400-820-6015
Email: customercare.shzn@te.com

TE.com/sensorsolutions

Measurement Specialties, Inc., a TE Connectivity company.

Measurement Specialties, TE Connectivity, TE Connectivity (logo) and EVERY CONNECTION COUNTS are trademarks. All other logos, products and/or company names referred to herein might be trademarks of their respective owners.

The information given herein, including drawings, illustrations and schematics which are intended for illustration purposes only, is believed to be reliable. However, TE Connectivity makes no warranties as to its accuracy or completeness and disclaims any liability in connection with its use. TE Connectivity's obligations shall only be as set forth in TE Connectivity's Standard Terms and Conditions of Sale for this product and in no case will TE Connectivity be liable for any incidental, indirect or consequential damages arising out of the sale, resale, use or misuse of the product. Users of TE Connectivity products should make their own evaluation to determine the suitability of each such product for the specific application.

© 2015 TE Connectivity Ltd. family of companies All Rights Reserved.