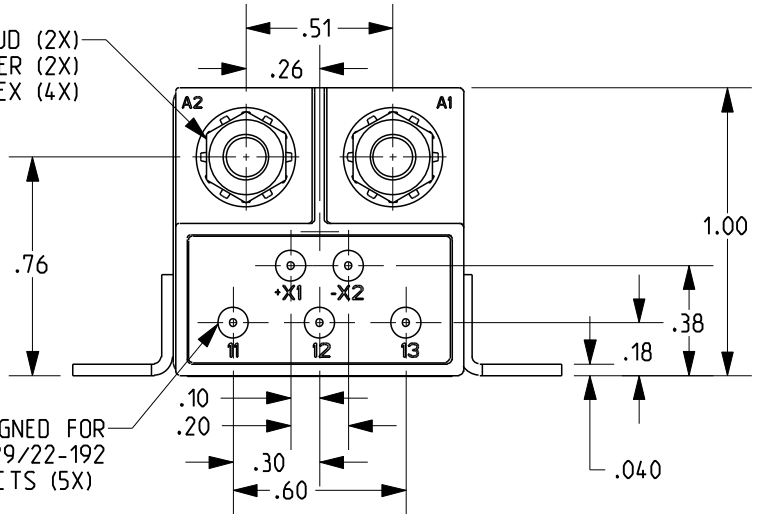


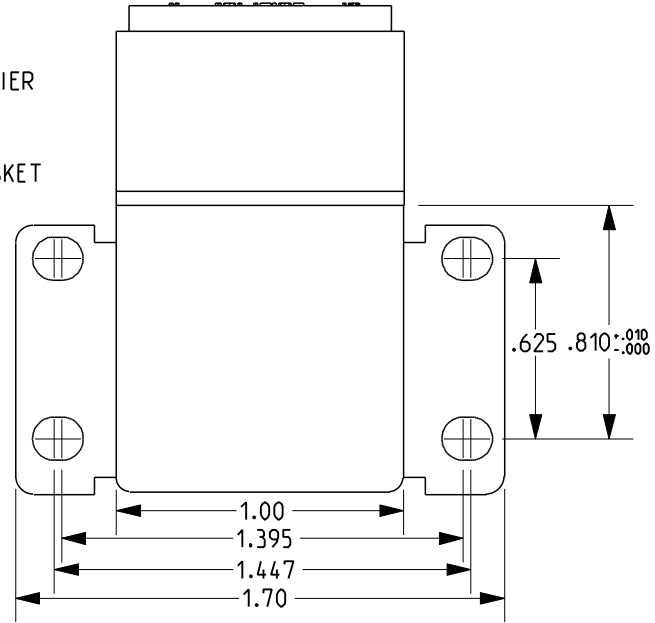
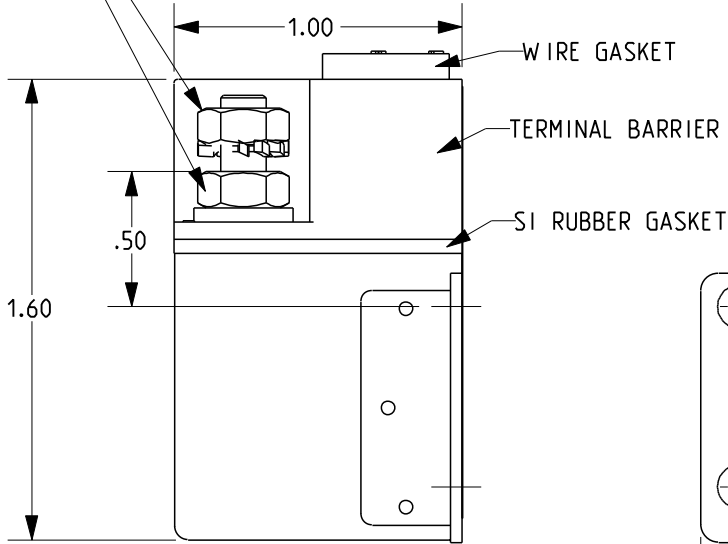
TOLERANCES
 XX = ±.03
 XXX = ±.010

M4 X .7 STUD (2X)
 DIN 6798A LOCK WASHER (2X)
 DIN 934 NUT HEX (4X)



UPPER NUT TORQUE
 NOT TO EXCEED
 11 IN-LBS WITH
 LOWER NUT HELD IN
 POSITION NOT TO
 EXCEED 2.8 IN-LBS.
 OF TORQUE

DESIGNED FOR
 MIL-C-39029/22-192
 CONTACTS (5X)



REV. E
 DCO 301236

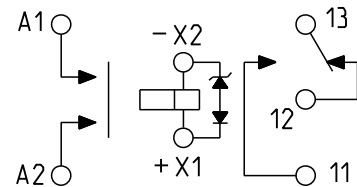
COIL: @ 25°C
 RESISTANCE _____ 290 OHMS ±10%
 NOMINAL VOLTAGE _____ 28.0 VDC
 MUST OPERATE _____ 18.0 VDC MAX.

 MUST RELEASE _____ 7.0 VDC MAX. 1.5 VDC MIN.

ENVIRONMENT:
 VIBRATION _____ 75 _____ Hz TO _____ 3000 _____ Hz @ _____ 20 _____ g's
 SHOCK _____ 50 _____ g's _____ 11 _____ MS. DURATION
 TEMPERATURE _____ -70 _____ °C TO _____ +125 _____ °C

NOTES: _____ OPERATE AND RELEASE 15 ms MAX. AT 25°C
 _____ CONTACT BOUNCE 1 ms MAX. AUX BOUNCE 5ms MAX
 _____ DIELECTRIC 1250 VRMS MAX./60 Hz (1000 VRMS/60 Hz COIL TO CASE)
 _____ COIL TRANSIENT SUPPRESSION 42 VDC MAX.

CUSTOMER DATA SHEET



TERMINAL VIEW

CONTACT RATING: _____
 _____ 50 AMPS 28 VDC.
 _____ AUX 2 AMP 28VDC.
 _____ RESISTIVE 50,000 OPERATIONS EACH

DR. B.D. 12NOV2008 CK. J.M.B. 4/28/10

©COPYRIGHT 2005
 TYCO ELECTRONICS CORPORATION
 ALL INTERNATIONAL RIGHTS RESERVED

CUST. _____
 CUST. NO. _____ REV. _____

TE NUMBER
 2-1617798-7

CII PART NUMBER
 FCAC-150-KR4