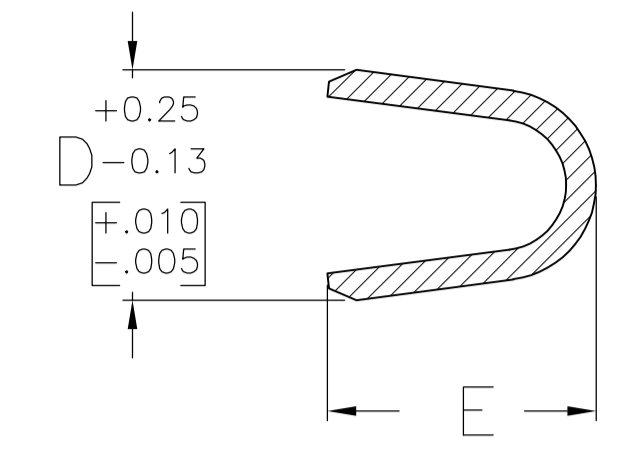
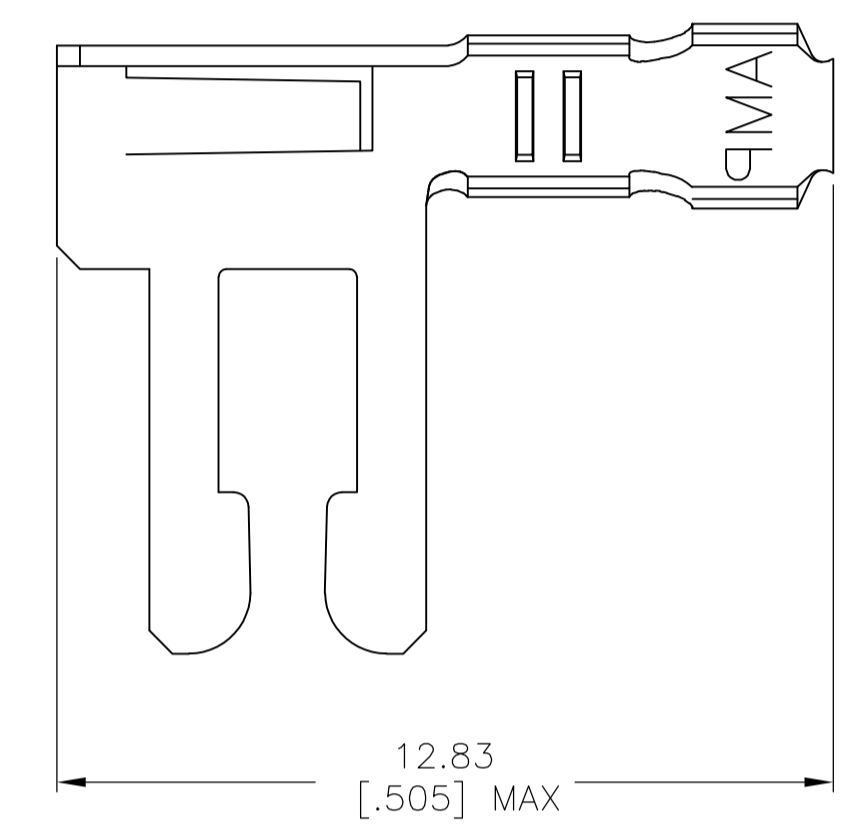


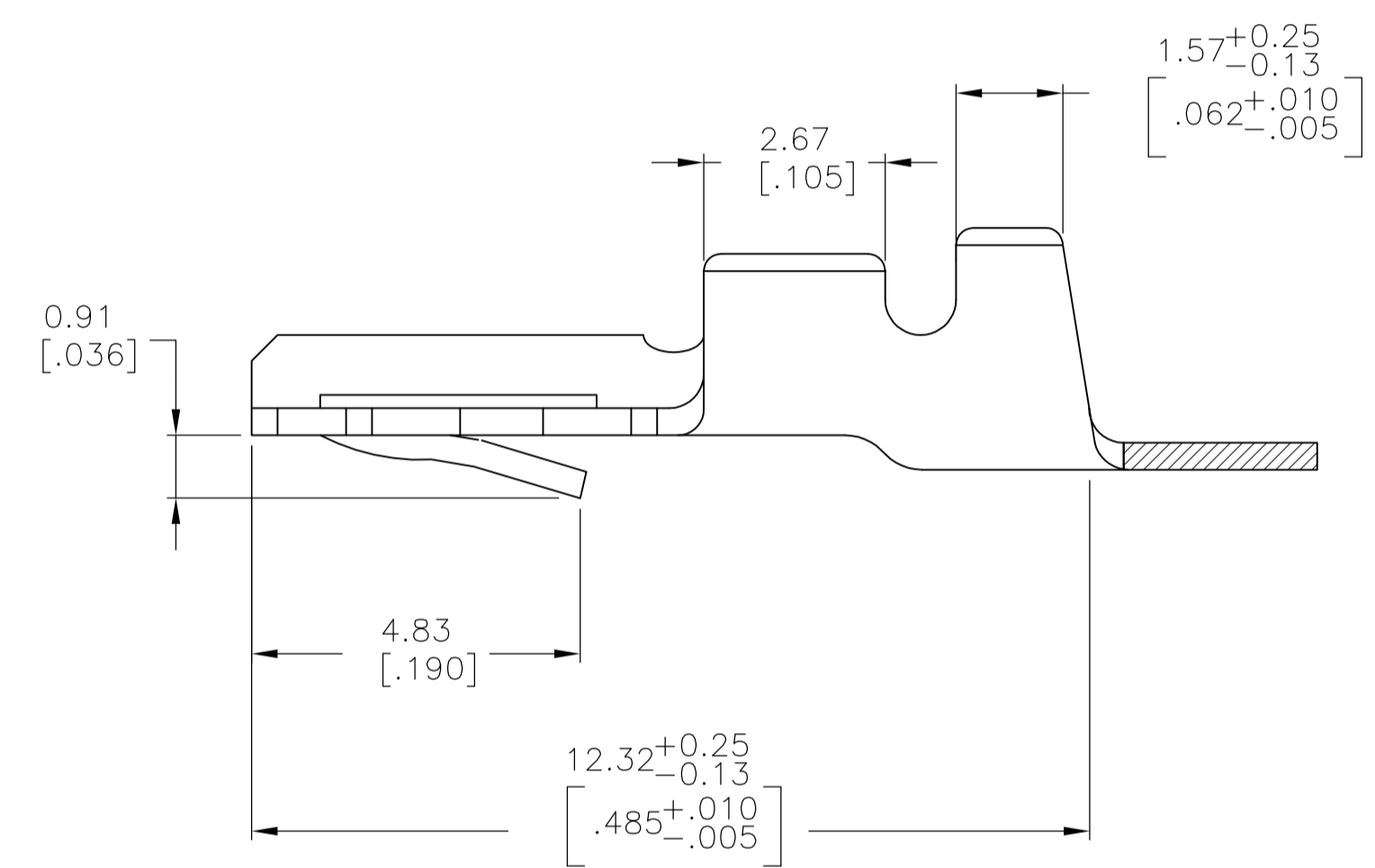
SECTION H-H



SECTION K-K



DETAIL X  
SCALE 8:1



- 1 REFER TO CUSTOMER DRAWINGS 530509, 530853, 582370, & 582380 FOR HOUSING AND PC BOARD REQUIREMENTS.
- 2 0.76µm[.000030] MIN GOLD OVER 1.27µm[.000050] MIN NICKEL IN CONTACT AREA, 1.27µm[.000050] MIN NICKEL ON REMAINDER OF CONTACT.
- 3 0.38µm[.000030] MIN GOLD OVER 1.27µm[.000050] MIN NICKEL IN CONTACT AREA, 1.27µm[.000050] MIN NICKEL ON REMAINDER OF CONTACT.
- 4 3.81µm[.000150] MIN TIN-LEAD OVER 0.76µm[.000030] MIN NICKEL ALL OVER.
- 5 FOR USE WITH STANDARD APPLICATOR.
- 6 FOR USE WITH MINATURE APPLICATOR.
- 7 3.81µm[.000150] MIN MATTE TIN PLATE OVER 0.76µm[.000030] MIN NICKEL ALL OVER.
- 8 OBSOLETE PARTS: OBSOLETE CIS STREAMLINING PER D.RENAUD/D.SINISI

△8	OBSOLETE	0.89-1.40 [.035-.055]	26-22	2.16 [.085]	2.54 [.100]	1.90 [.075]	1.90-2.41 [.075-.095]	PER DETAIL-X	-	△4	5-66150-2	
△8	OBSOLETE	1.52-2.29 [.060-.090]	22-18	3.56 (+0.25/-0.13) [.140 (+0.010/-0.005)]	3.05 [.120]	2.67 [.105]	2.67-3.30 [.105-.130]	PER DETAIL-X	-	△7	5-66088-2	
		0.89-1.40 [.035-.055]	26-22	2.16 [.085]	2.54 [.100]	1.90 [.075]	1.90-2.41 [.075-.095]	-	△6	△7	5-66362-1	
		1.52-2.29 [.060-.090]	22-18	3.56 (+0.25/-0.13) [.140 (+0.010/-0.005)]	3.05 [.120]	2.67 [.105]	2.67-3.30 [.105-.130]	-	△6	△7	5-66335-2	
△8	OBSOLETE	1.52-2.29 [.060-.090]	22-18	3.56 (+0.25/-0.13) [.140 (+0.010/-0.005)]	3.05 [.120]	2.67 [.105]	2.67-3.30 [.105-.130]	-	△5	△7	5-60215-4	
	OBSOLETE	0.89-1.40 [.035-.055]	26-22	2.16 [.085]	2.54 [.100]	1.90 [.075]	1.90-2.41 [.075-.095]	PER DETAIL-X	-	△4	66150-2	
		1.52-2.29 [.060-.090]	22-18	3.56 (+0.25/-0.13) [.140 (+0.010/-0.005)]	3.05 [.120]	2.67 [.105]	2.67-3.30 [.105-.130]	PER DETAIL-X	-	△4	66088-2	
	OBSOLETE	0.89-1.40 [.035-.055]	26-22	2.16 [.085]	2.54 [.100]	1.90 [.075]	1.90-2.41 [.075-.095]	-	△6	△2	66362-2	
		0.89-1.40 [.035-.055]	26-22	2.16 [.085]	2.54 [.100]	1.90 [.075]	1.90-2.41 [.075-.095]	-	△6	△4	66362-1	
△8	OBSOLETE	1.52-2.29 [.060-.090]	22-18	3.56 (+0.25/-0.13) [.140 (+0.010/-0.005)]	3.05 [.120]	2.67 [.105]	2.67-3.30 [.105-.130]	-	△6	△2	66335-3	
		1.52-2.29 [.060-.090]	22-18	3.56 (+0.25/-0.13) [.140 (+0.010/-0.005)]	3.05 [.120]	2.67 [.105]	2.67-3.30 [.105-.130]	-	△6	△4	66335-2	
		1.52-2.29 [.060-.090]	22-18	3.56 (+0.25/-0.13) [.140 (+0.010/-0.005)]	3.05 [.120]	2.67 [.105]	2.67-3.30 [.105-.130]	-	△5	△2	60215-5	
		1.52-2.29 [.060-.090]	22-18	3.56 (+0.25/-0.13) [.140 (+0.010/-0.005)]	3.05 [.120]	2.67 [.105]	2.67-3.30 [.105-.130]	-	△5	△4	60215-4	
		INSULATION DIA RANGE	WIRE GAGE RANGE		E	D	B	A	LOOSE PIECE	REELING	FINISH	PART NUMBER

THIS DRAWING IS A CONTROLLED DOCUMENT.

DIMENSIONS: mm [INCHES]	TOLERANCES UNLESS OTHERWISE SPECIFIED:	DMN M. BINNER 09 JUL 97	APVD D. WILKE 09 APR 98	NAME
0. PLC ± -	1. PLC ± -	11 NOV 97		
2. PLC ± 0.13 [0.005]	3. PLC ± -			
4. PLC ± -	ANGLES ± -			

STE TE Connectivity

CONTACT, DUO-TYNE™ FLAG

108-9016

114-9002

PHOSPHOR BRONZE

SEE TABLE

WEIGHT

SCALE 10:1 SHEET 1 OF 1 REV AK2