

4

3

2

1

THIS DRAWING IS UNPUBLISHED

RELEASED FOR PUBLICATION

2017

© COPYRIGHT 2017

BY TE CONNECTIVITY

ALL RIGHTS RESERVED.

REVISIONS

P	LTR	DESCRIPTION	DATE	DWN	APVD
	A	INITIAL RELEASE	24MAY2017	AP	PV

IMC26-1602X AS SHOWN

Side view of the IMC26-1602X plug assembly. Dimensions shown: diameter $\varnothing .418$ [10.62], diameter $\varnothing .500$ [12.7], and length $.300$ [7.62].

Top view of the IMC26-1602X plug assembly. Dimensions shown: diameter $.200$ [5.08]. Cavity numbering 2 and 5 is indicated. The word "DEUTSCH" is visible on the side.

Bottom view of the IMC26-1602X plug assembly. Dimensions shown: diameter $.750$ [19.05] and length $.750$ [19.05].

SUITABLE CONTACT:
 SIZE-16 (2X)
 6862-201-16278

Small detail drawing of the contact pin.

NOTES:

- TE ORDER NUMBER
- BULK PACKAGING IN CORRUGATED BOX.
- INSERT ARRANGEMENT SEE PAGE 2.
- PN SUFFIX "X" = SHIPPED WITH CONTACTS
- CAVITY NUMBERING
- SUITABLE COUNTERPART:

PLUG	RECEPTACLE (IN-LINE)	RECEPTACLE (FLANGE)
IMC26-1602X	IMC21-1602X	IMC24-1602X
IMC26-2005X	IMC21-2005X	IMC24-2005X
IMC26-2007X	IMC21-2007X	IMC24-2007X
IMC26-2212X	IMC21-2212X	IMC24-2212X

3D perspective view of the IMC26-1602X plug assembly.

SCALE 2:1

22	IMC 200 SERIES PLUG 12 WAY	IMC26-2212X
20	IMC 200 SERIES PLUG 7 WAY	IMC26-2007X
20	IMC 200 SERIES PLUG 5 WAY	IMC26-2005X
16	IMC 200 SERIES PLUG 2 WAY	IMC26-1602X
PIN CONTACTS	DESCRIPTION	PART NO

THIS DRAWING IS A CONTROLLED DOCUMENT.

DIMENSIONS: in [mm]	TOLERANCES UNLESS OTHERWISE SPECIFIED:
	0 PLC \pm -
	1 PLC \pm -
	2 PLC \pm -
	3 PLC $\pm .025$
	4 PLC \pm -
	ANGLES $\pm 1^\circ$
MATERIAL	FINISH
-	-
-	-

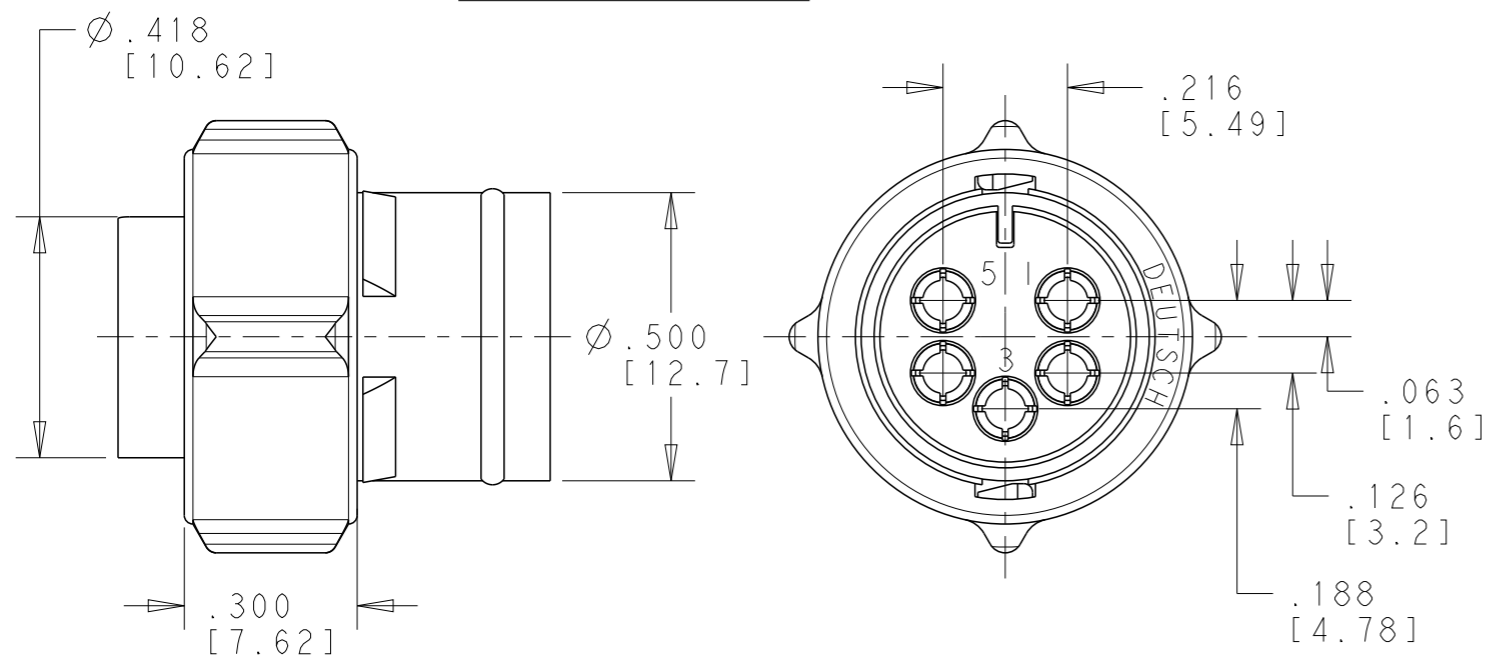
DWN	18MAY2017
CHK	AJITH PAI
APVD	22MAY2017
PRODUCT SPEC	PRAVEEN V
APPLICATION SPEC	C FINZER
WEIGHT	2.3 g
CUSTOMER DRAWING	

TE TE Connectivity			
NAME IMC 200 SERIES, PLUG ASSY			
SIZE	CAGE CODE	DRAWING NO	RESTRICTED TO
A3	-	©-IMC26-XXXXX	-
SCALE 4:1		SHEET 1 OF 3	REV A

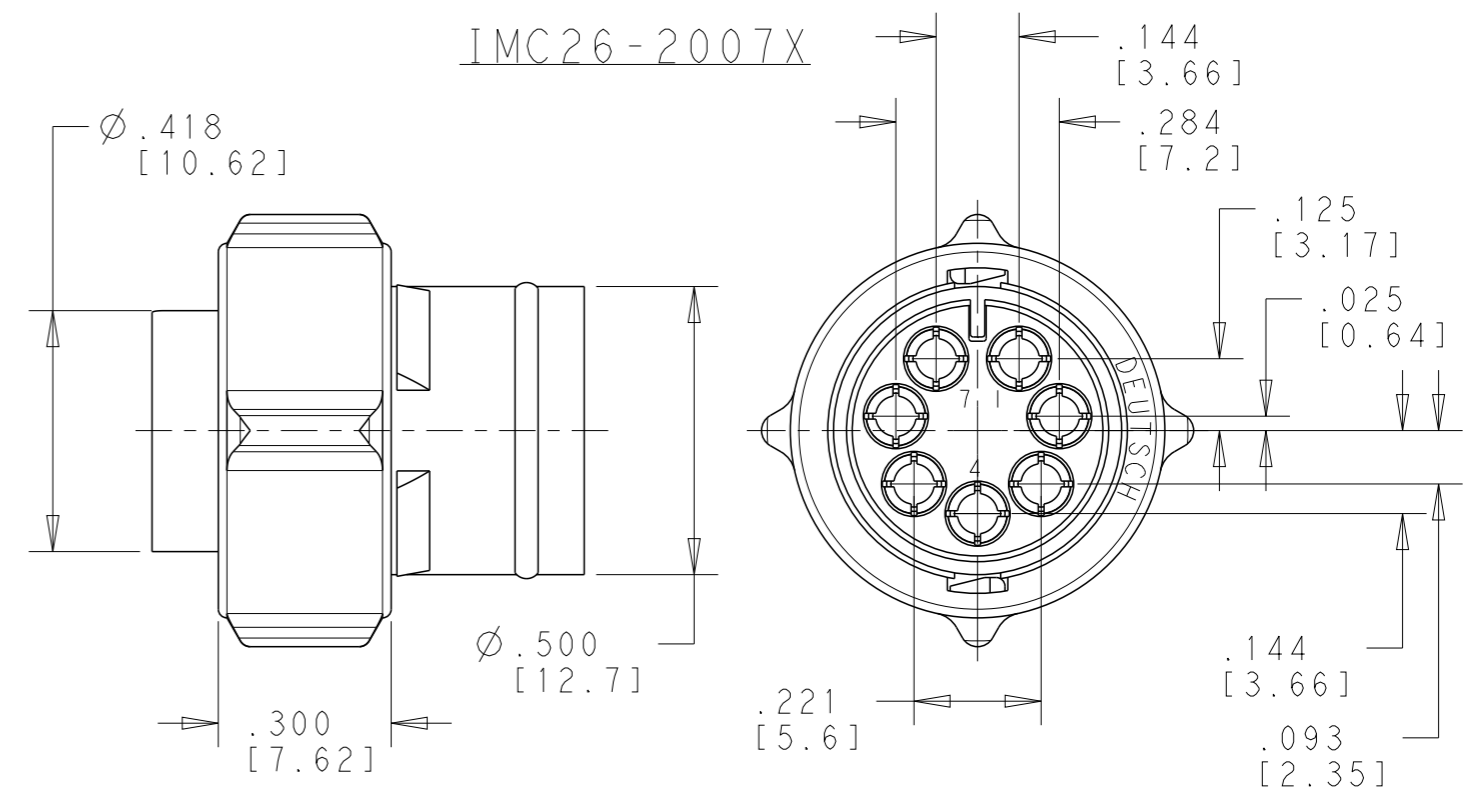
1470-19 (3/13)

REVISIONS					
P	LTR	DESCRIPTION	DATE	DWN	APVD
-	-	SEE SHEET 1	-	-	-

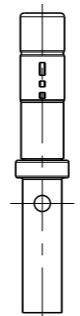
IMC26-2005X



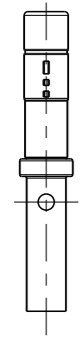
IMC26-2007X




SUITABLE CONTACT:
 SIZE-20, (7X)
 6862-201-20278



SUITABLE CONTACT:
 SIZE-20, (5X)
 6862-201-20278

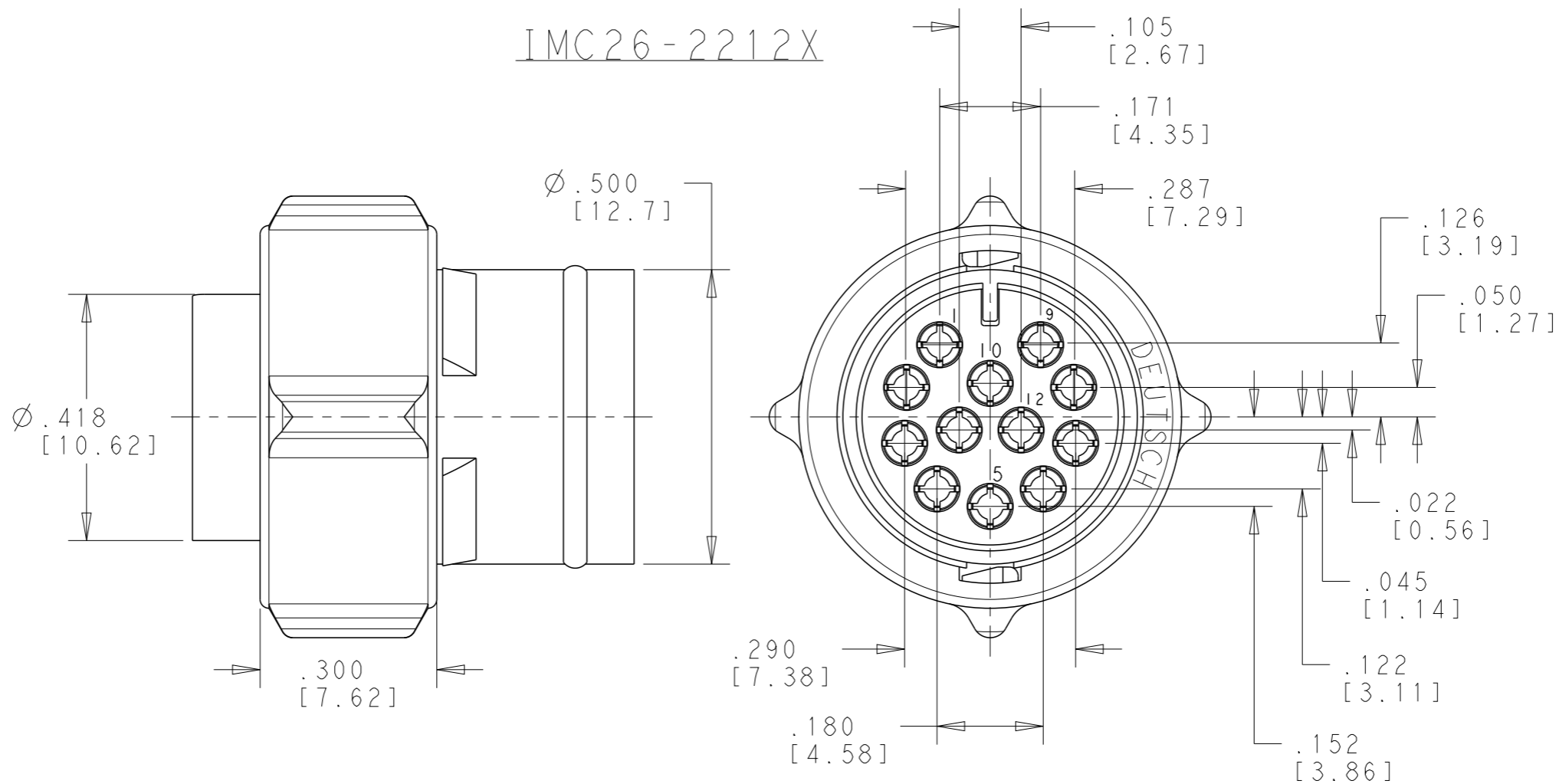


THIS DRAWING IS A CONTROLLED DOCUMENT.		DWN 18MAY2017 AJITH PAI	 TE Connectivity				
DIMENSIONS: in [mm]		CHK 22MAY2017 PRAVEEN V					
TOLERANCES UNLESS OTHERWISE SPECIFIED:		APVD 22MAY2017 C FINZER	NAME IMC 200 SERIES, PLUG ASSY				
0 PLC \pm - 1 PLC \pm - 2 PLC \pm - 3 PLC $\pm .025$ 4 PLC \pm - ANGLES $\pm 1^\circ$		PRODUCT SPEC -	SIZE A3	CAGE CODE -	DRAWING NO C-IMC26-XXXXX	RESTRICTED TO -	
MATERIAL -		FINISH -	APPLICATION SPEC -	WEIGHT 2.3 g	SCALE 5:1	SHEET 2 OF 3	REV A
CUSTOMER DRAWING							

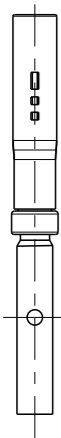
REVISIONS


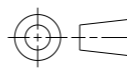
P	LTR	DESCRIPTION	DATE	DWN	APVD
-	-	SEE SHEET 1	-	-	-

IMC26-2212X



SUITABLE CONTACT:
 SIZE-22, (12X)
 6862-201-22278



THIS DRAWING IS A CONTROLLED DOCUMENT.		DWN AJITH PAI 18MAY2017	 TE Connectivity			
DIMENSIONS: in [mm]		CHK PRAVEEN V 22MAY2017				
		APVD C FINZER 22MAY2017				
TOLERANCES UNLESS OTHERWISE SPECIFIED:		PRODUCT SPEC	NAME IMC 200 SERIES, PLUG ASSY			
0 PLC $\pm .$ 1 PLC $\pm .$ 2 PLC $\pm .$ 3 PLC $\pm .025$ 4 PLC $\pm .$ ANGLES $\pm 1^\circ$		APPLICATION SPEC	SIZE A3	CAGE CODE -	DRAWING NO IMC26-XXXXX	RESTRICTED TO -
MATERIAL -		FINISH -	WEIGHT 2.3 g	SCALE 4:1	SHEET 3 OF 3	REV A
CUSTOMER DRAWING						