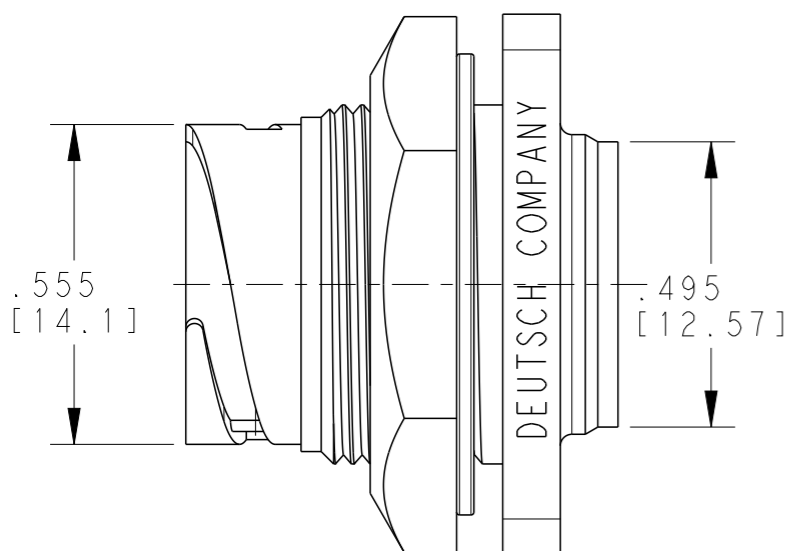


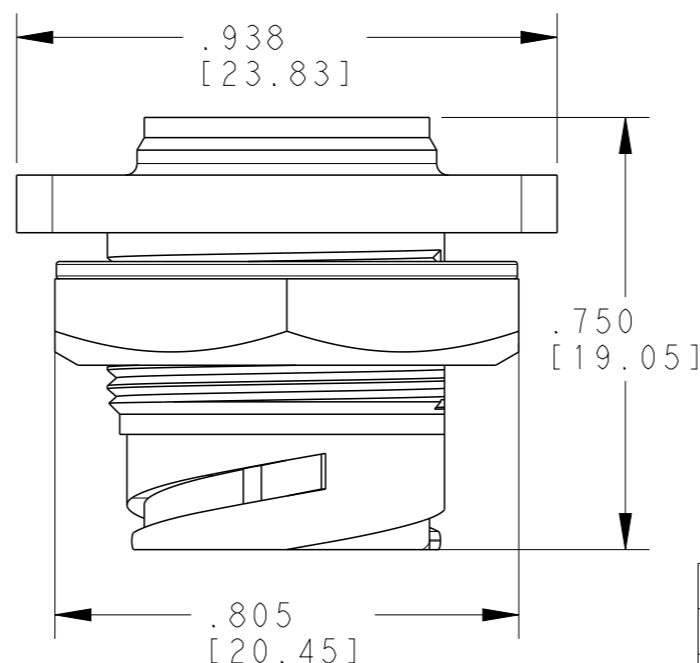
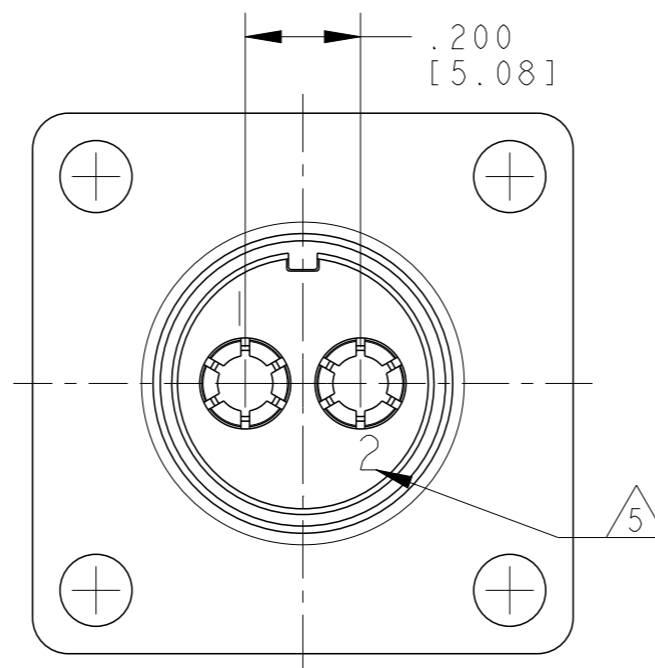
REVISIONS

P	LTR	DESCRIPTION	DATE	DWN	APVD
	A	INITIAL RELEASE	24MAY2017	AP	PV

IMC24-1602X AS SHOWN:



SCALE 3:1

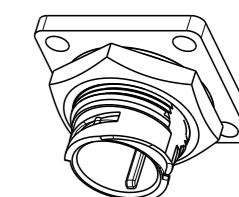


NOTES

- 1. TE ORDER NUMBER
- 2. BULK PACKAGING IN CORRUGATED BOX.
- 3. INSERT ARRANGEMENT SEE PAGE 2.
- 4. PN SUFFIX "X" = SHIPPED WITH CONTACTS
- 5. CAVITY NUMBERING
- 6. SUITABLE COUNTERPART:

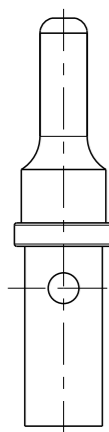
RECEPTACLE (FLANGE)	PLUG
IMC24-1602X	IMC26-1602X
IMC24-2005X	IMC26-2005X
IMC24-2007X	IMC26-2007X
IMC24-2212X	IMC26-2212X

7. ALSO AVAILABLE AS PCB VERSION ON SUITABLE CONTACT (IMC24-2212P-984T) ON REQUEST.



SCALE 1:1

SUITABLE CONTACT:
6860-201-16278
SIZE-16, (2X)



CONTACTS SIZE	DESCRIPTION	PART NO
22	IMC 200 SERIES FLANGE RECEPTACLE 12 WAY	IMC24-2212X
20	IMC 200 SERIES FLANGE RECEPTACLE 7 WAY	IMC24-2007X
20	IMC 200 SERIES FLANGE RECEPTACLE 5 WAY	IMC24-2005X
16	IMC 200 SERIES FLANGE RECEPTACLE 2 WAY	IMC24-1602X

THIS DRAWING IS A CONTROLLED DOCUMENT.

DIMENSIONS: in [mm]	TOLERANCES UNLESS OTHERWISE SPECIFIED:
	0 PLC ±-
	1 PLC ±-
	2 PLC ±-
	3 PLC ±.025
	4 PLC ±-
	ANGLES ±1°
MATERIAL	FINISH
-	-

DWN	20MAY2017
CHK	AJITH PAI
APVD	22MAY2017
	PRAVEENA V
	22MAY2017
	C FINZER
PRODUCT SPEC	-
APPLICATION SPEC	-
WEIGHT	9.6 g
CUSTOMER DRAWING	-

TE TE Connectivity

NAME
IMC 200 SERIES RECEPTACLE FLANGE MOUNTING ASSY

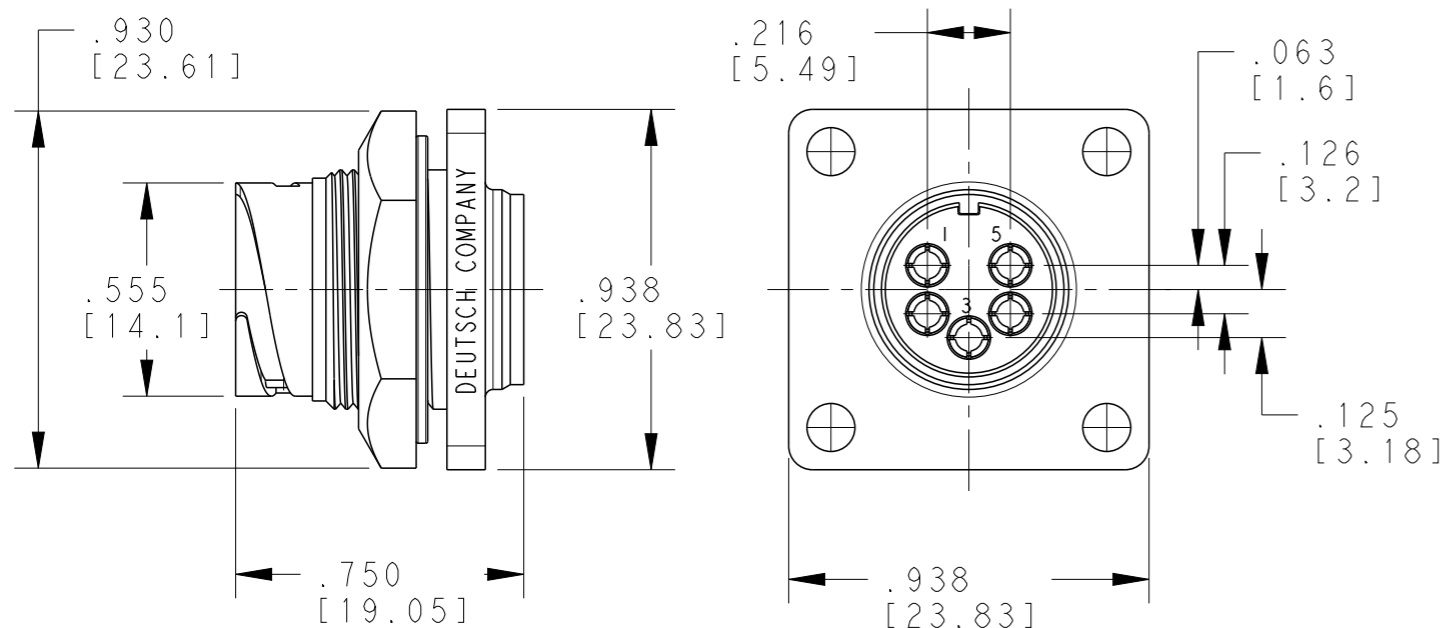
SIZE	CAGE CODE	DRAWING NO	RESTRICTED TO
A3	-	©-IMC24-XXXXX	-

SCALE 4:1 SHEET 1 OF 3 REV A

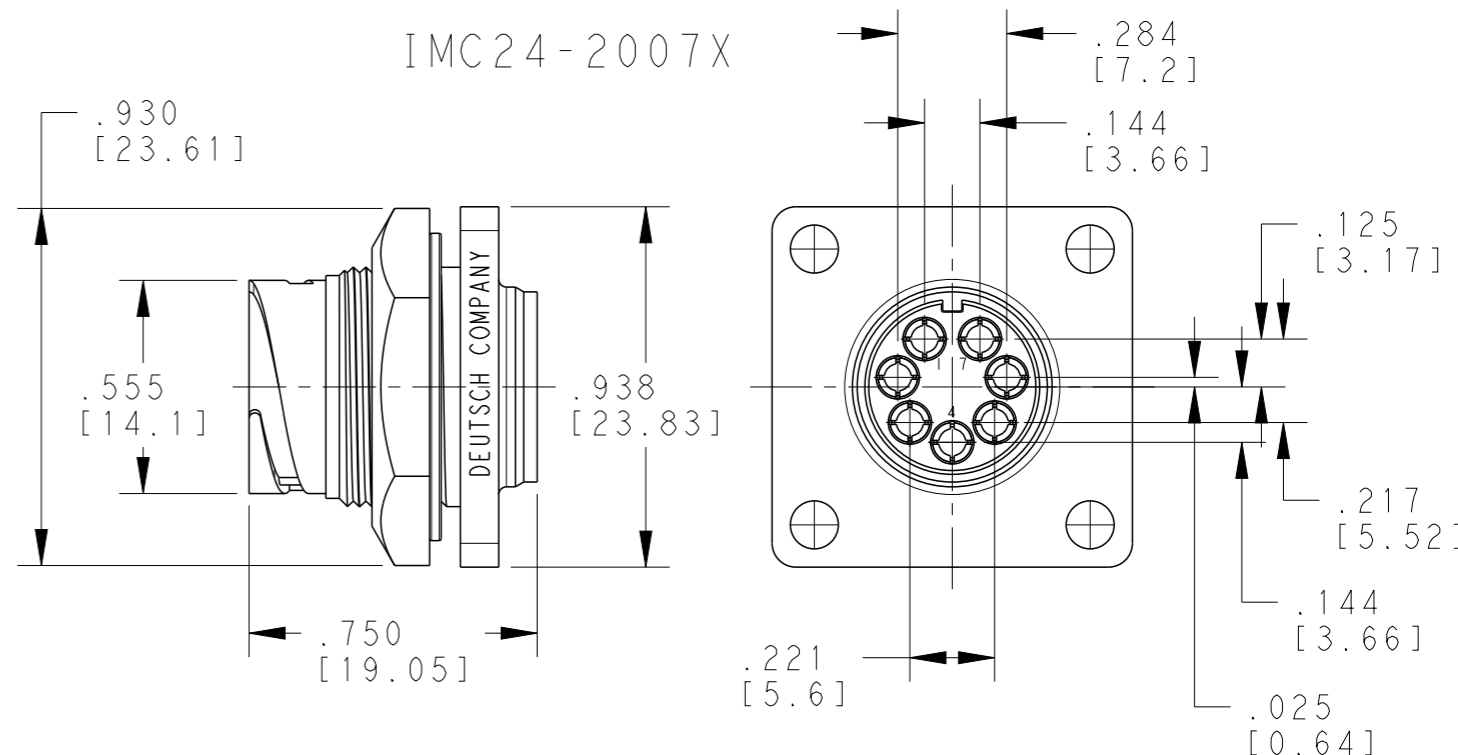
REVISIONS

P	LTR	DESCRIPTION	DATE	DWN	APVD
-	-	SEE SHEET 1	-	-	-

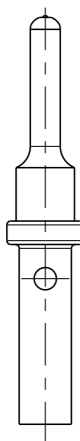
IMC24-2005X



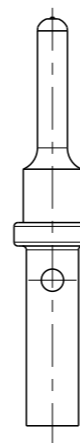
IMC24-2007X



SUITABLE CONTACT:
6860-201-20278
SIZE-20 (5X)



SUITABLE CONTACT:
6860-201-20278
SIZE-20 (7X)



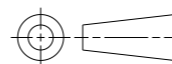
THIS DRAWING IS A CONTROLLED DOCUMENT.

DWN 20MAY2017
AJITH PAI
CHK 22MAY2017
PRAVEENA V
APVD 22MAY2017
C FINZER



NAME
IMC 200 SERIES RECEPTACLE FLANGE
MOUNTING ASSY

DIMENSIONS:
in [mm]



TOLERANCES UNLESS OTHERWISE SPECIFIED:

0 PLC	±-
1 PLC	±-
2 PLC	±-
3 PLC	±.025
4 PLC	±-
ANGLES	±1°

MATERIAL

FINISH

PRODUCT SPEC

APPLICATION SPEC

WEIGHT

9.6 g

SIZE

A3

CAGE CODE

-

DRAWING NO

©-IMC24-XXXXX

RESTRICTED TO

-

CUSTOMER DRAWING

SCALE 5:1

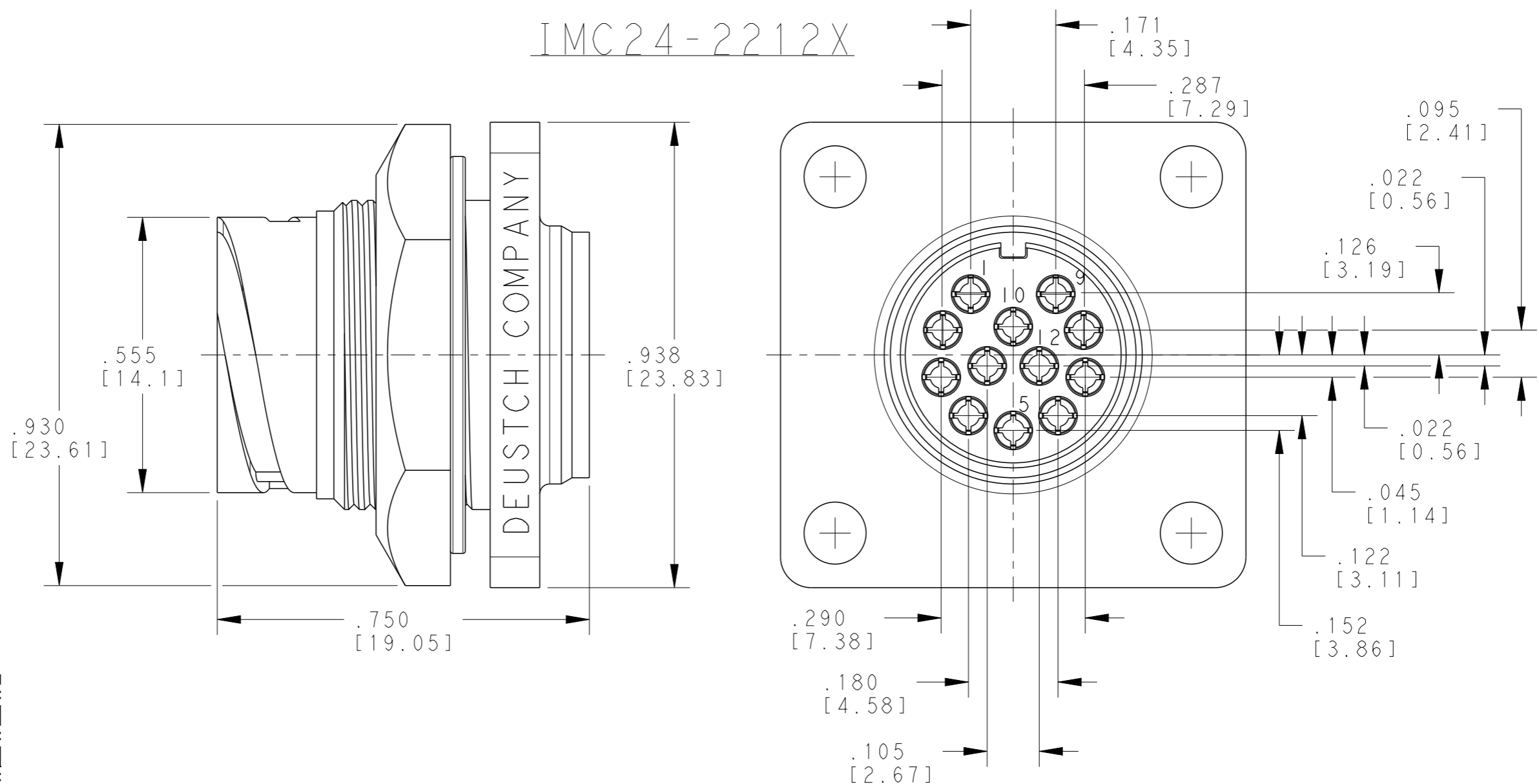
SHEET 2 OF 3

REV A

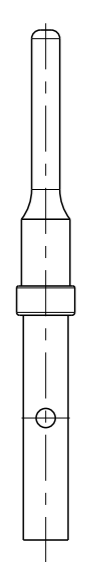
REVISIONS


P	LTR	DESCRIPTION	DATE	DWN	APVD
-	-	SEE SHEET 1	-	-	-

IMC24-2212X



SUITABLE CONTACT:
 6860-201-22278
 SIZE-22 (12X)



THIS DRAWING IS A CONTROLLED DOCUMENT.		DWN AJITH PAI 20MAY2017	 TE Connectivity	
DIMENSIONS: in [mm]		CHK PRAVEENA V 22MAY2017		
TOLERANCES UNLESS OTHERWISE SPECIFIED:		APVD C FINZER 22MAY2017	NAME IMC 200 SERIES RECEPTACLE FLANGE MOUNTING ASSY	
0 PLC ±- 1 PLC ±- 2 PLC ±- 3 PLC ±.025 4 PLC ±- ANGLES ±1°		PRODUCT SPEC -	RESTRICTED TO -	
MATERIAL -		FINISH -	APPLICATION SPEC -	SIZE A3
		WEIGHT 9.6 g	CAGE CODE -	DRAWING NO C-IMC24-XXXXX
		CUSTOMER DRAWING	SCALE 4:1	SHEET 3 OF 3
				REV A