



## MS4515DO

### SPECIFICATIONS

- ◆ **PCB Mounted Digital Output Transducer**
- ◆ **Combination Temperature and Pressure**
- ◆ **Pressure Ranges from 2 to 30 inches H<sub>2</sub>O**
- ◆ **I<sup>2</sup>C or SPI Protocol**
- ◆ **Differential & Gage**
- ◆ **Temperature Compensated**
- ◆ **3.3 or 5.0 Vdc Supply Voltage**
- ◆ **Low Power Option Available (standby < 1uA)**

The MS4515DO is a small, ceramic based, PCB mounted pressure transducer from Measurement Specialties. The transducer is built using the latest CMOS sensor conditioning circuitry to create a low cost, high performance digital output pressure (14bit) and temperature (11bit) transducer designed to meet the strictest requirements from OEM customers.

The MS4515DO is fully calibrated and temperature compensated with a total error band (TEB) of less than 1.0% over the compensated range. The sensor operates from single supply of either 3.3 or 5.0Vdc and requires a single external component for proper operation.

The rugged ceramic transducer is available in side port, top port, and manifold mount and can measure absolute or differential pressure from 2 to 30 inches H<sub>2</sub>O. The 1/8" barbed pressure ports mate securely with 3/32" ID tubing.

## FEATURES

- ◆ Inches H<sub>2</sub>O Pressure Ranges
- ◆ PCB Mountable
- ◆ Digital Output
- ◆ Barbed Pressure Ports

## APPLICATIONS

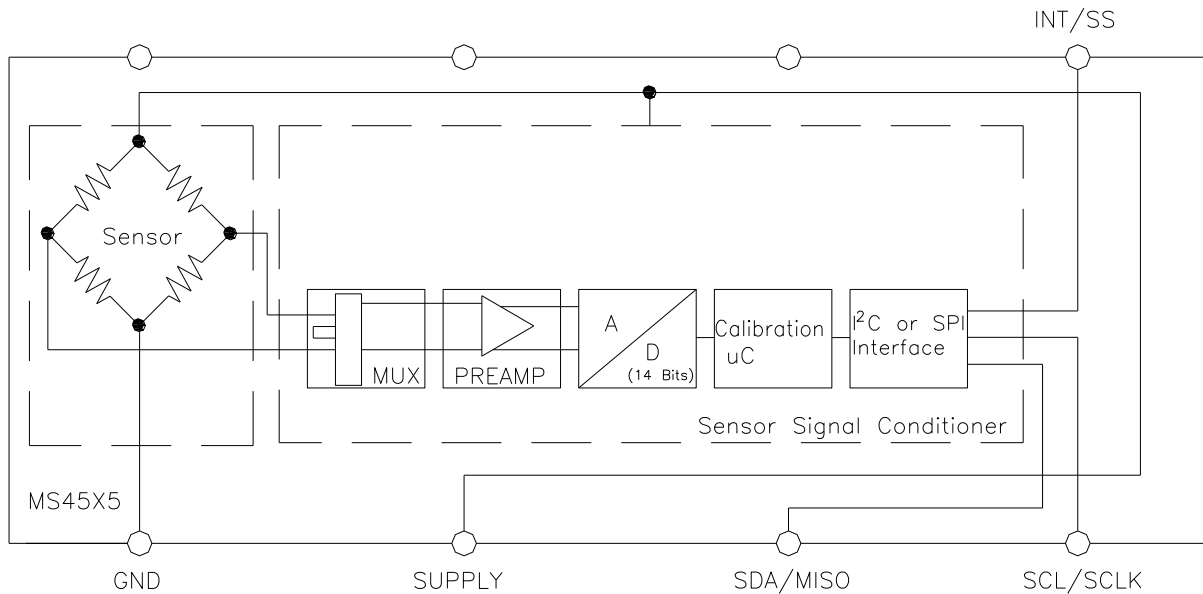
- ◆ Blocked Filter Detection
- ◆ Altitude and Airspeed Measurements
- ◆ Medical Instruments
- ◆ Fire Suppression System
- ◆ Panel Meter
- ◆ Air Movement/Environmental Controls
- ◆ Pneumatic Controls

## STANDARD RANGES (INCHES H<sub>2</sub>O)

Range	Gage	Differential	Option Availability
2		DS, SS, TP, MM	-F, -L, -M
4	DS, SS, TP, MM	DS, SS, TP, MM	-F, -L, -M
5	DS, SS, TP, MM	DS, SS, TP, MM	-F, -L, -M
10	DS, SS, TP, MM	DS, SS, TP, MM	-F, -L, -M
20	DS, SS, TP, MM	DS, SS, TP, MM	-F, -L, -M
30	DS, SS, TP, MM	DS, SS, TP, MM	-F, -L, -M

See Package Configurations: DS= Dual Side Port, SS= Single Side Port, TP= Top Port, MM= Manifold Mount  
Only I<sup>2</sup>C Protocol is Available on "L" type Pin Styles; Reference Ordering Information for Details  
Pin Style "L" is only available SS and MM port types.  
Pin Style "C" is only available SS, TP and MM port types.

BLOCK DIAGRAM



ABSOLUTE MAXIMUM RATINGS

Parameter	Conditions	Min	Max	Unit	Notes
Supply Voltage	T <sub>A</sub> = 25 °C	2.7	5.5	V	
Output Current	T <sub>A</sub> = 25°C		3	mA	
Storage Temperature		-40	+125	°C	
Humidity	T <sub>A</sub> = 25°C		95	%RH	Non Condensing
Overpressure	T <sub>A</sub> = 25 °C, both Ports	Not to Exceed 300		psi	
Burst Pressure	T <sub>A</sub> = 25 °C, Port 1			psi	See Table 1
ESD	HBM	-4	+4	kV	EN 61000-4-2
Solder Temperature	250°C, 5 sec max.				

TABLE 1- BURST PRESSURE BY RANGE AND PACKAGE STYLE

Range	DS	SS, TP, MM	Unit
002	10	10	psi
004	10	10	psi
005	10	10	psi
010	10	10	psi
020	20	20	psi
030	20	20	psi

## ENVIRONMENTAL SPECIFICATIONS

Parameter	Conditions
Mechanical Shock	Mil Spec 202F, Method 213B, Condition C, 3 Drops
Mechanical Vibration	Mil Spec 202F, Method 214A, Condition 1E, 1Hr Each Axis
Thermal Shock	100 Cycles over Storage Temperature, 30 minute dwell
Life	1 Million FS Cycles
MTTF	>10Yrs, 70 °C, 1.188 Million Pressure Cycles, 120%FS Pressure

## PERFORMANCE SPECIFICATIONS

Supply Voltage<sup>1</sup>: 5.0V or 3.3 Vdc

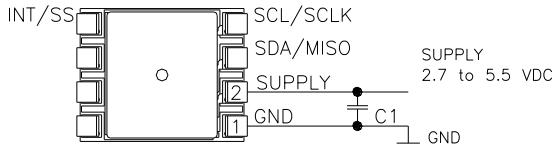
Reference Temperature: 25°C (unless otherwise specified)

PARAMETERS	MIN	TYP	MAX	UNITS	NOTES
Pressure Accuracy	-0.25		0.25	%Span	2
Total Error Band (TEB)	-1.0		1.0	%Span	3,7
Total Error Band (TEB) 4inH20 and Below	-2.0		2.0	%Span	3,7
Temperature Accuracy		1.5		°C	4
Supply Current		3		mA	7
Compensated Temperature	0		+60	°C	5
Operating Temperature	-10		+85	°C	
Output Pressure Resolution			14	bits	
Output Temperature Resolution	8		11	bits	
Update Time		0.5		mS	6
Start Time to Data Ready			8.4	mS	6
Weight		3		grams	
Media	Non-Corrosive Dry Gases Compatible with Ceramic, Silicon, Borosilicate Glass, RTV, Gold, Aluminum and Epoxy. See "Wetted Material by Port Designation" chart below.				

## Notes

1. Proper operation requires an external capacitor placed as shown in Connection Diagram. Output is not ratiometric to supply voltage.
2. The maximum deviation from a best fit straight line (BFSL) fitted to the output measured over the pressure range at 25C. Includes all errors due to pressure non linearity, hysteresis, and non repeatability.
3. Total pressure error band includes all accuracy errors, thermal errors over the compensated temperature range and span and offset calibration tolerances. For ideal sensor output with respect to input pressure and temperature, reference Transfer Function charts below. TEB values are valid only at the calibrated supply voltage.
4. The deviation from a best fit straight line (BFSL) fitted to the output measured over the compensated temperature range.
5. For errors beyond the compensated temperature range, see Extended Temperature Multiplier chart below.
6. Start time to data ready is the time to get valid data after POR (power on reset). The time to get subsequent valid data is then specified by the update time specification.
7. This product can be configured for custom OEM requirements, contact factory for lower power consumption or higher accuracy.

## CONNECTION DIAGRAM

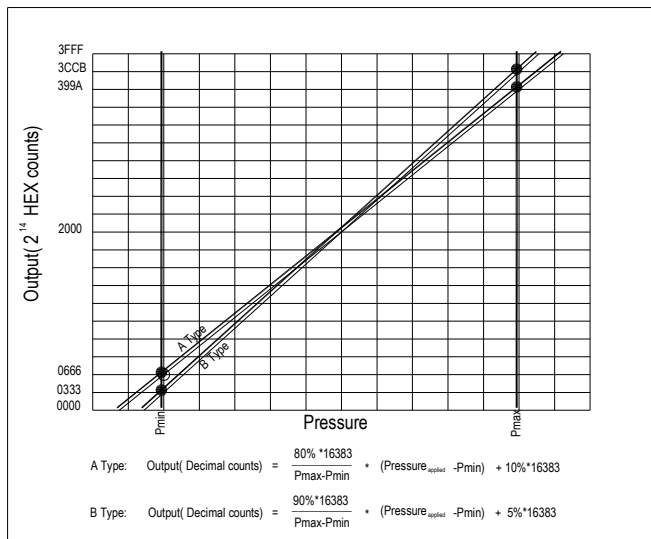


### Notes

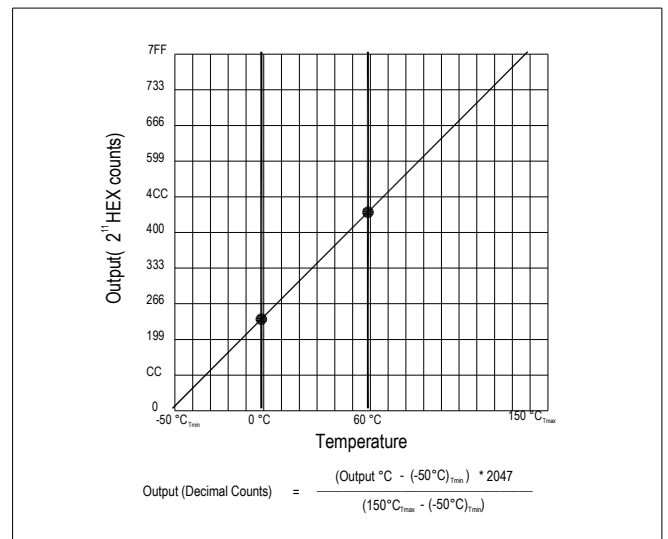
1. Place 100nF capacitor between Supply and GND to within 2 cm of sensor.

## PRESSURE AND TEMPERATURE TRANSFER FUNCTION

Pressure Transfer Functions



Temperature Transfer Functions



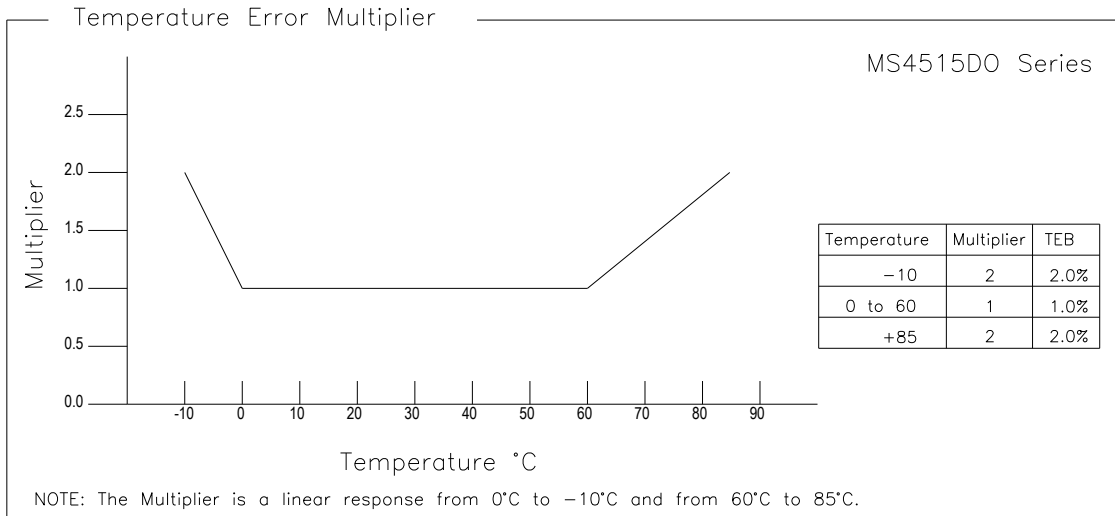
Sensor Output at Significant Percentages

% of Counts	Output Type A (inH2O)	Output Type B (inH2O)	Digital Counts (decimal)	Digital Counts (hex)
0	$P_{\text{min}} - (P_{\text{max}} - P_{\text{min}}) \cdot 1/8$	$P_{\text{min}} - (P_{\text{max}} - P_{\text{min}}) \cdot 5/90$	0	0 X 0000
5		$P_{\text{min}}$	819	0 X 0333
10	$P_{\text{min}}$		1638	0 X 0666
50			8192	0 X 2000
90	$P_{\text{max}}$		14746	0 X 399A
95		$P_{\text{max}}$	15563	0 X 3CCB
100	$P_{\text{max}} + (P_{\text{max}} - P_{\text{min}}) \cdot 1/8$	$P_{\text{max}} + (P_{\text{max}} - P_{\text{min}}) \cdot 5/90$	16383	0 X 3FFF

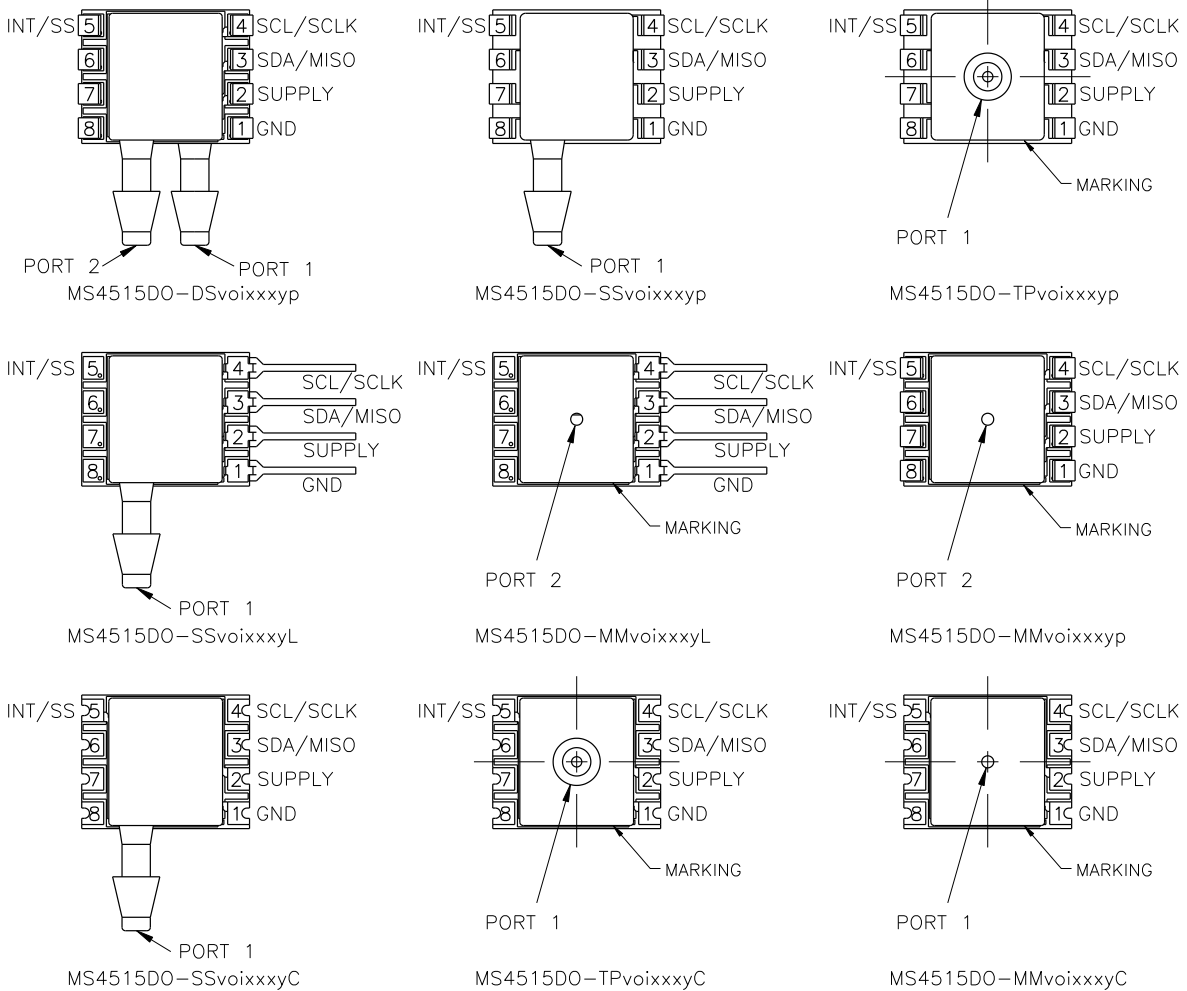
Temperature Output vs Counts

Output °C	Digital Counts (decimal)	Digital Counts (hex)
-50	0	0 X 0000
0	511	0 X 01FF
10	614	0 X 0266
25	767	0 X 02FF
50	1023	0 X 03FF
85	1381	0 X 0565
150	2047	0 X 07FF

EXTENDED TEMPERATURE MULTIPLIER CHART



PACKAGE, PINOUT & PRESSURE TYPE CONFIGURATION



Pin Name	Pin	Function
GND	1	Ground
SUPPLY	2	Positive Supply Voltage
SDA      MISO	3	I2C Data                  SPI Data
SCL      SCLK	4	I2C Clock                SPI Clock
INT      SS	5	I2C Interrupt          SPI Chip Select
	6-8	No Connection

INT is not available for Pin Style "L" models

Pressure Type	Pmin	Pmax	Description
Differential/ Bidirectional	-Prange	+Prange	Output is proportional to the difference between Port 1 and Port 2. Output swings positive when Port 1 > Port 2. Output is 50% of total counts when Port 1=Port 2
Gauge	0psiG	+Prange	Output is proportional to the difference between 0psiG (Pmin) and Port 1. Output swings positive when Port 1 > Port 2.

Prange is equal to the maximum full scale pressure specified in the ordering information..

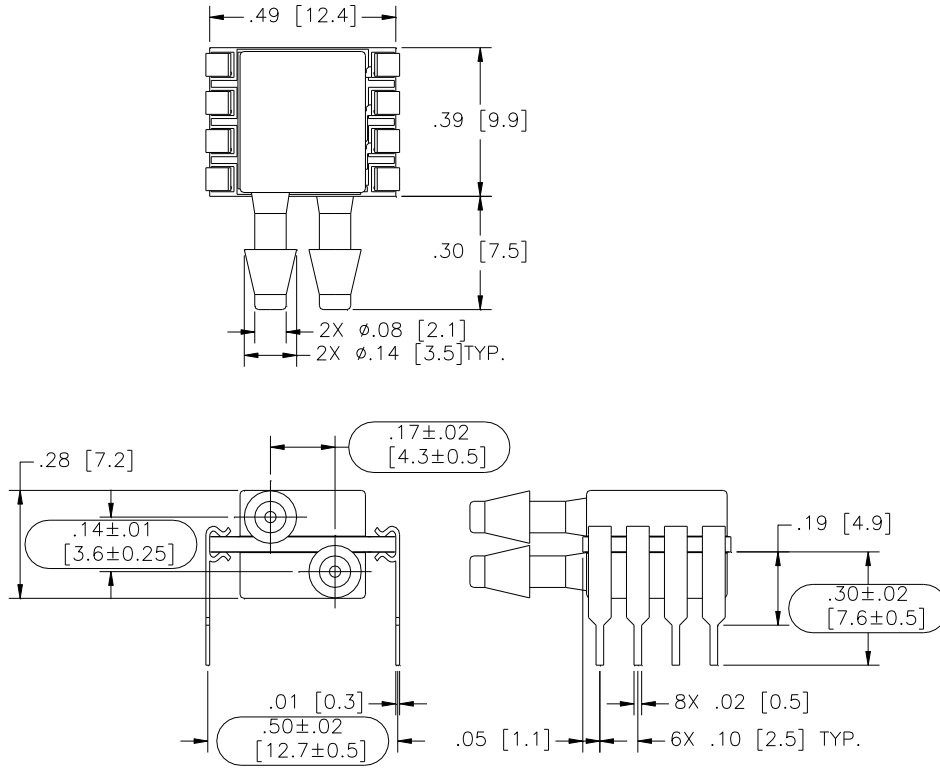
**WETTED MATERIAL BY PORT DESIGNATION**

Style	Port	Material						
		Ceramic	Silicon	Borosilicate Glass	RTV	Gold	Aluminum	Epoxy
DS, MM	Port 1	X	X	X	X			X
	Port 2	X	X	X	X	X	X	X
SS, TP, SM	Port 1	X	X	X	X	X	X	X

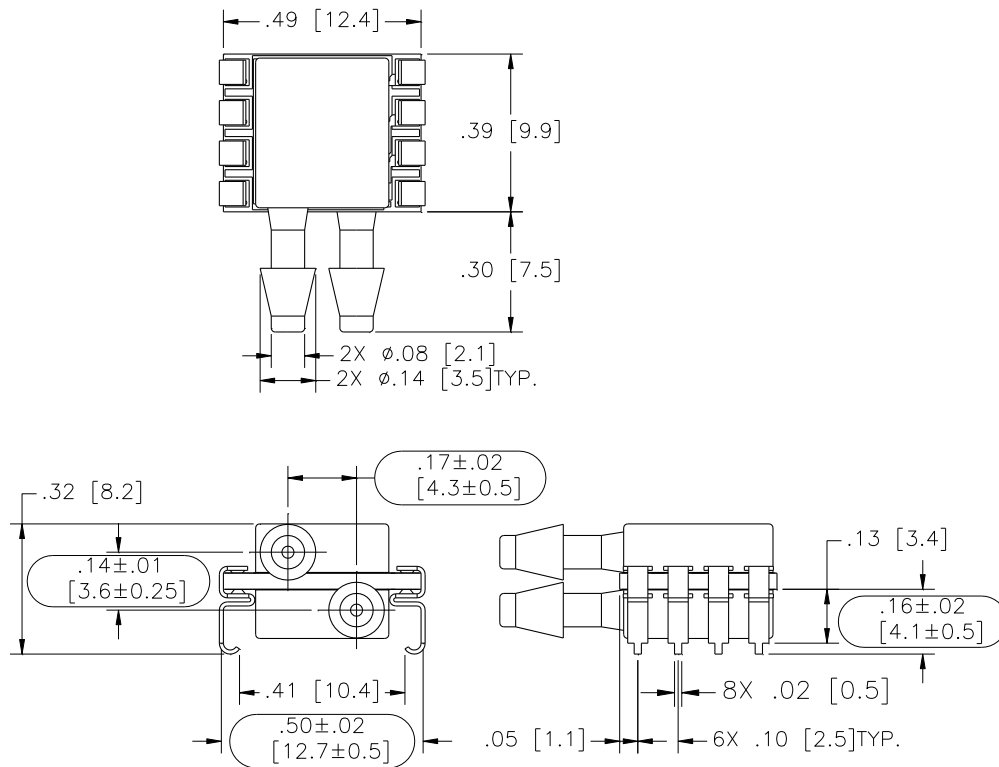
"X" Indicates Wetted Material

**DIMENSIONS (are in INCHES [mm])**

Model: MS4515DO-DSvoixxyP



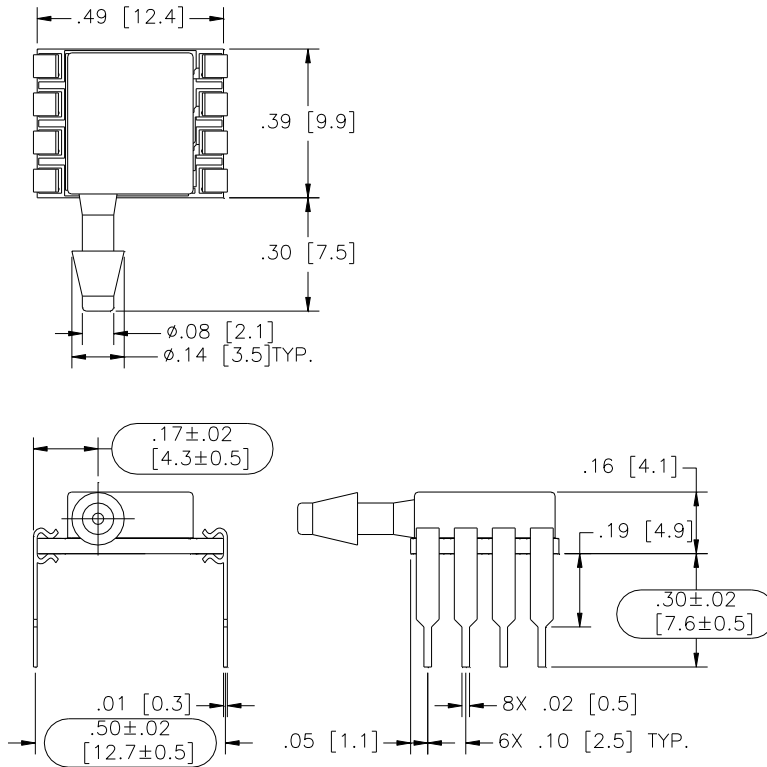
Model: MS4515DO-DSvoixxyS



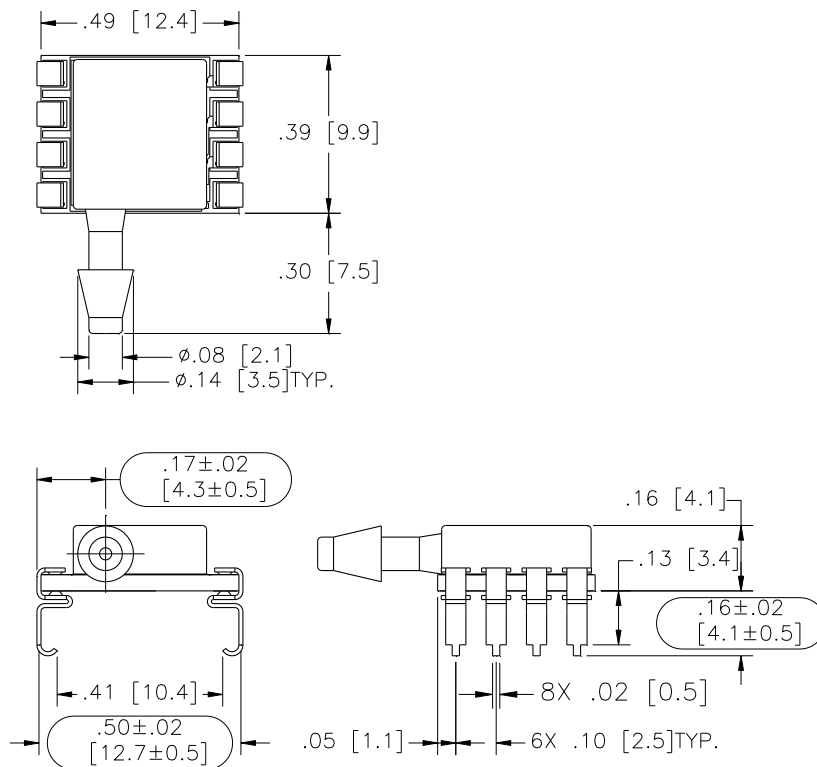


# MS4515DO

Model: MS4515DO-SSvoixxyP

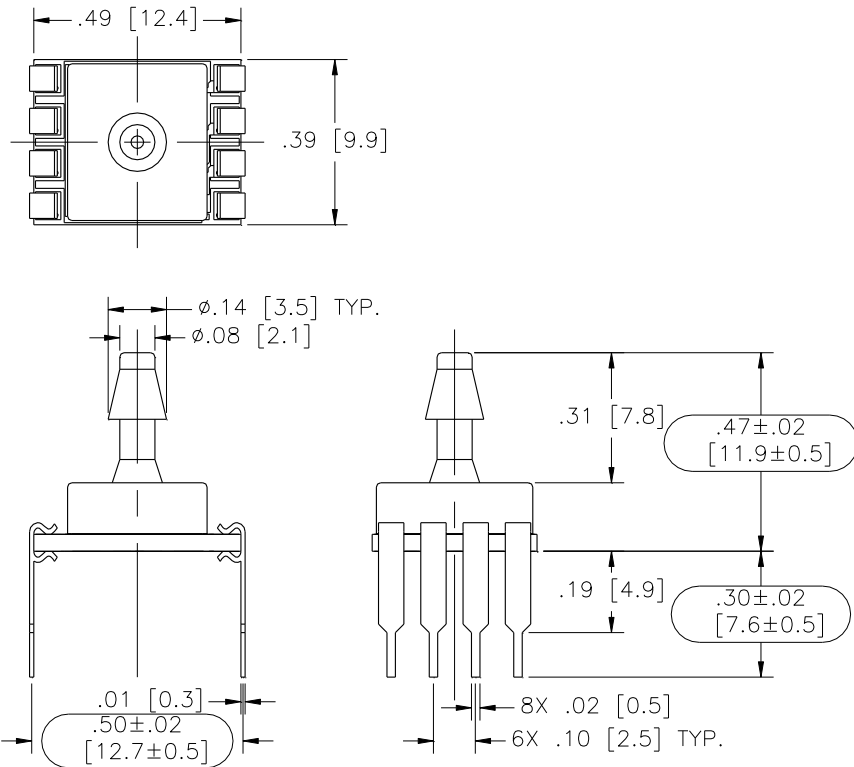


Model: MS4515DO-SSvoixxyS

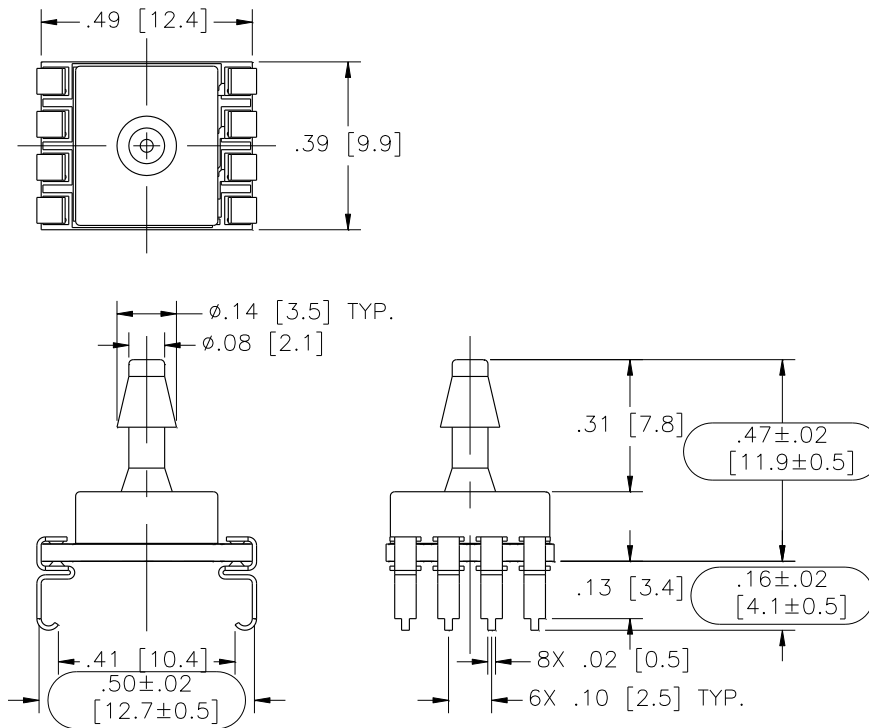


**MS4515DO**

Model: MS4515DO-TPvoixxyP

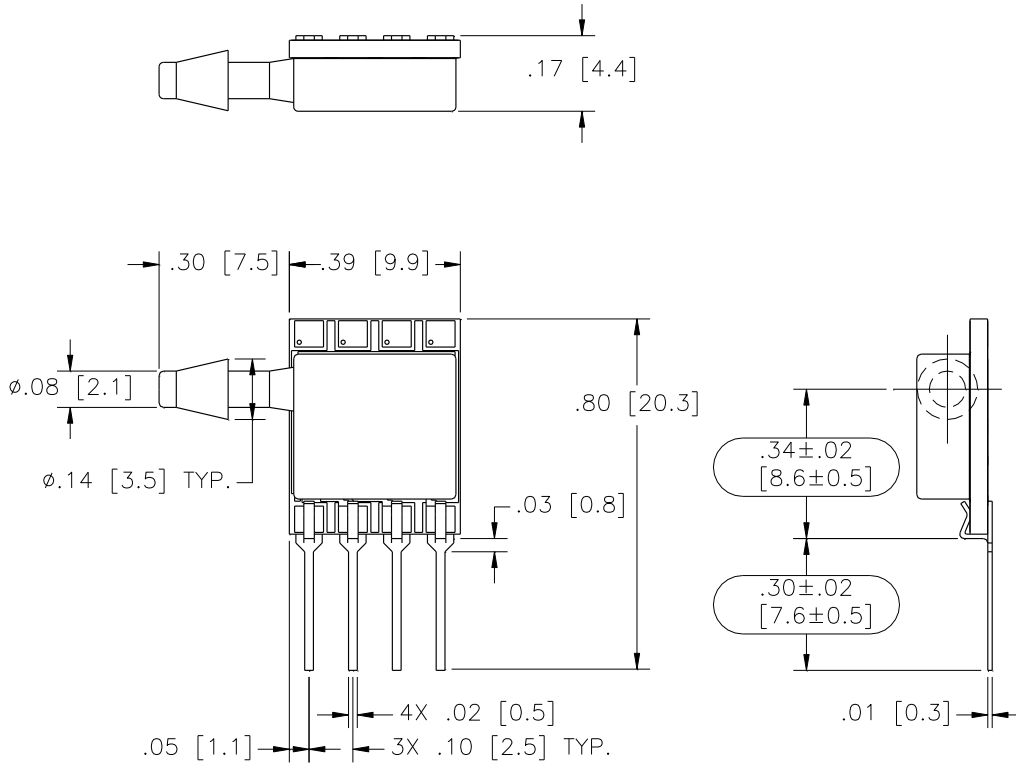


Model: MS4515DO-TPvoixxyS

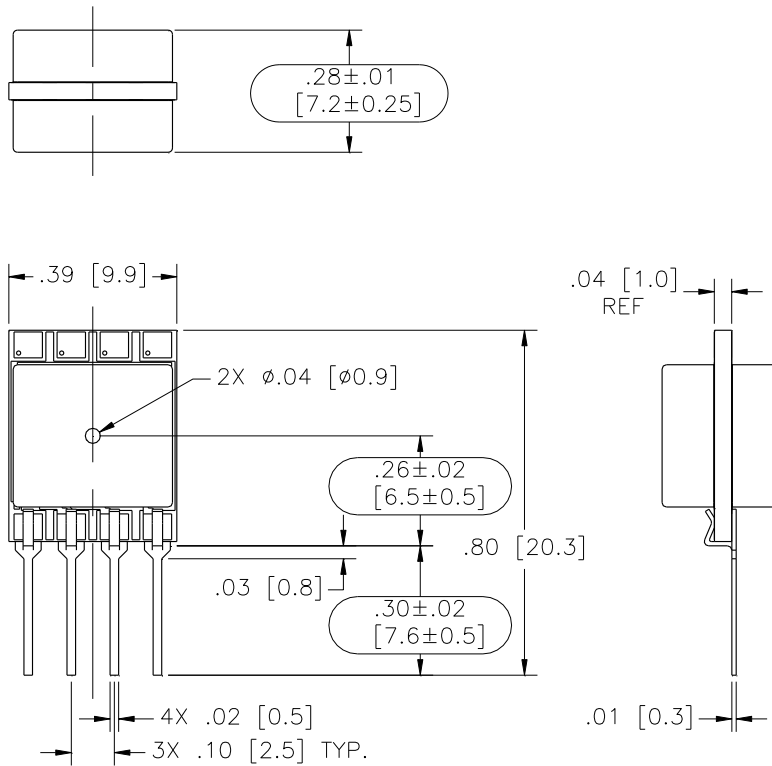


**MS4515DO**

Model: MS4515DO-SSvoixxyL

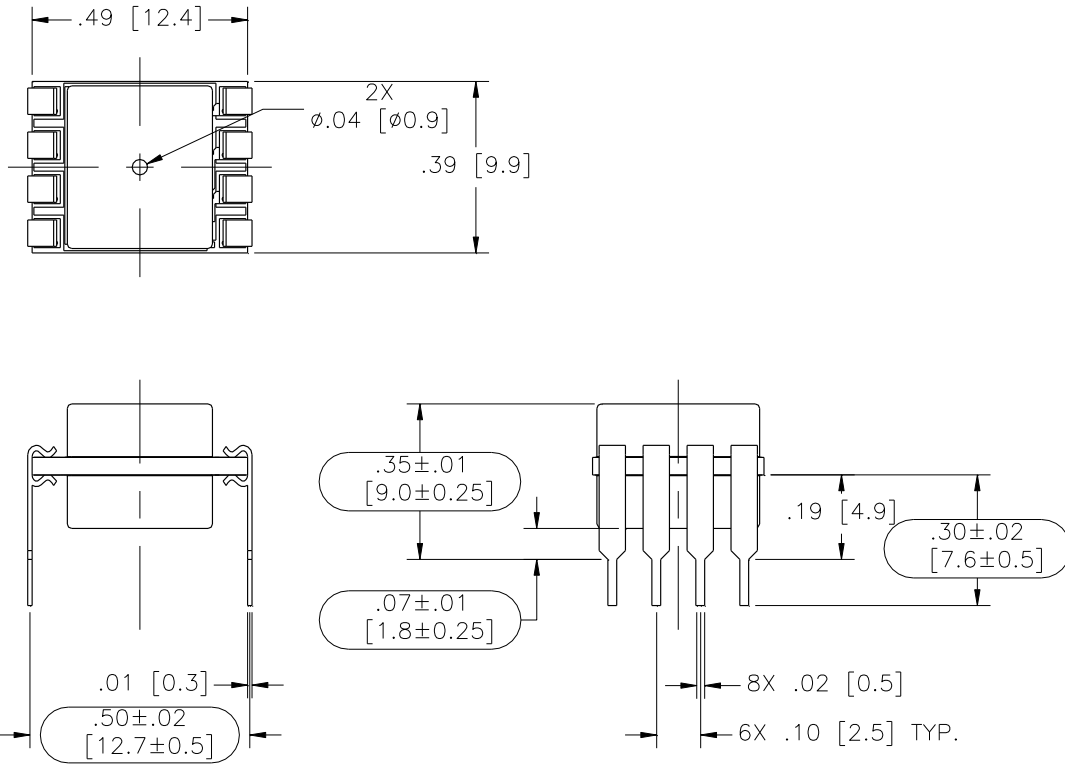


Model: MS4515DO-MMvoixxyL

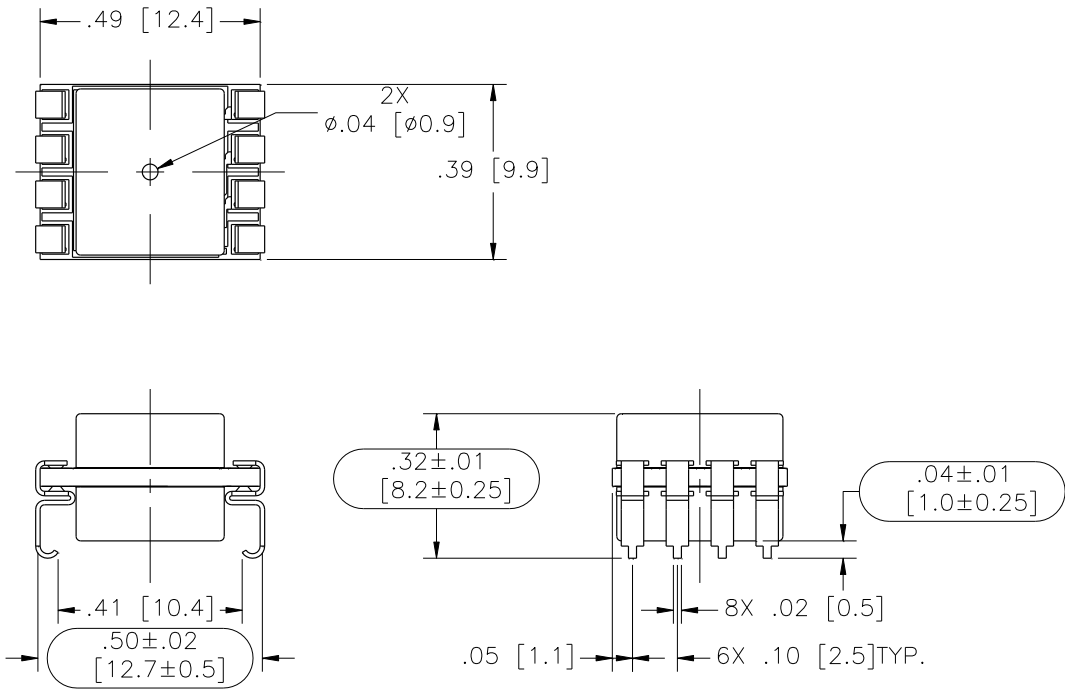


# MS4515DO

Model: MS4515DO-MMvoixxyP

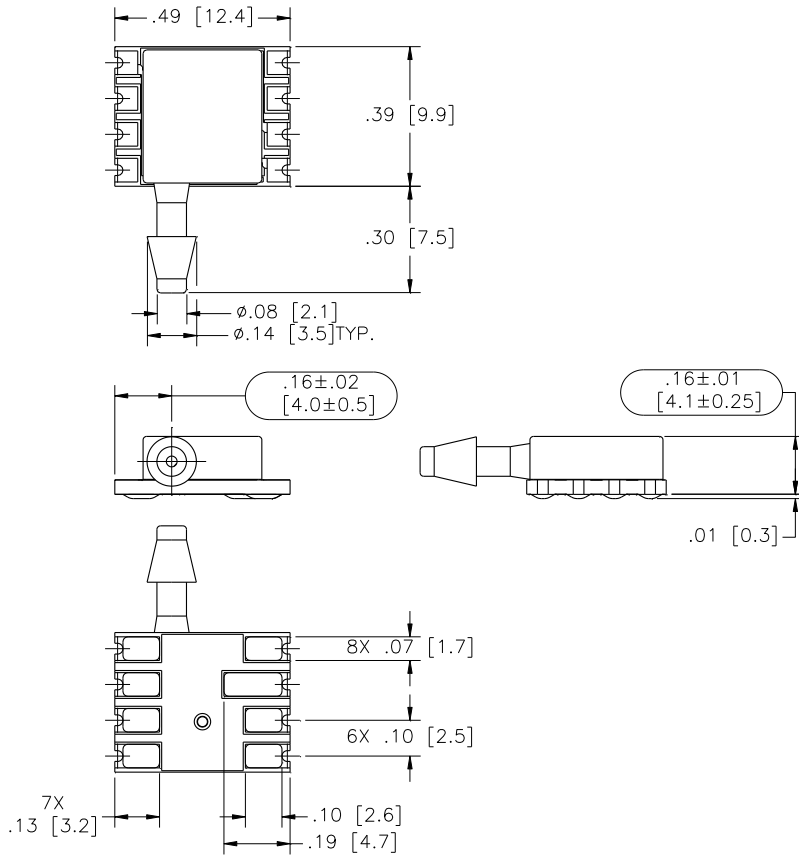


Model: MS4515DO-MMvoixxyS

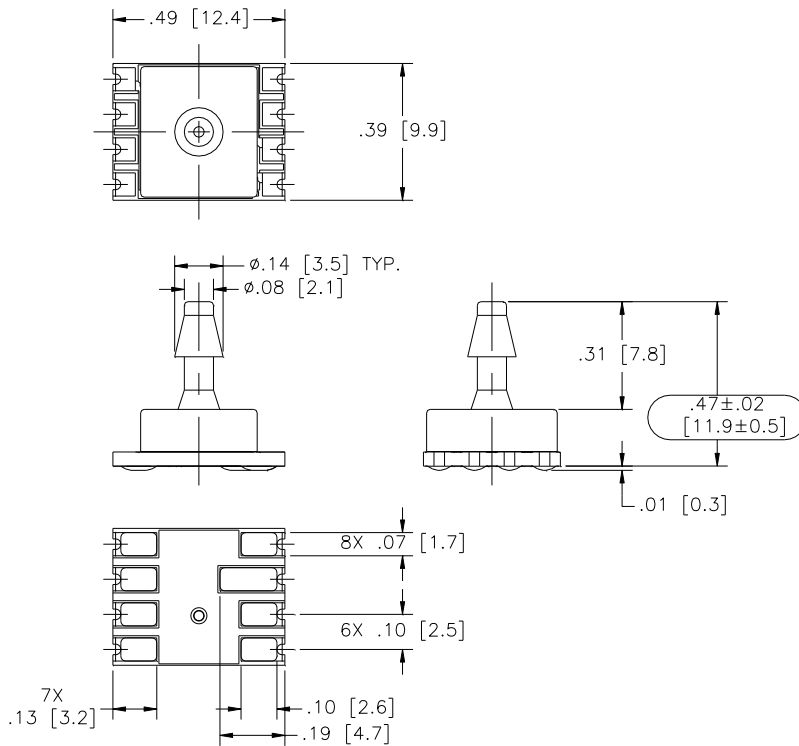


**MS4515DO**

Model: MS4515DO-SSvoixxyC

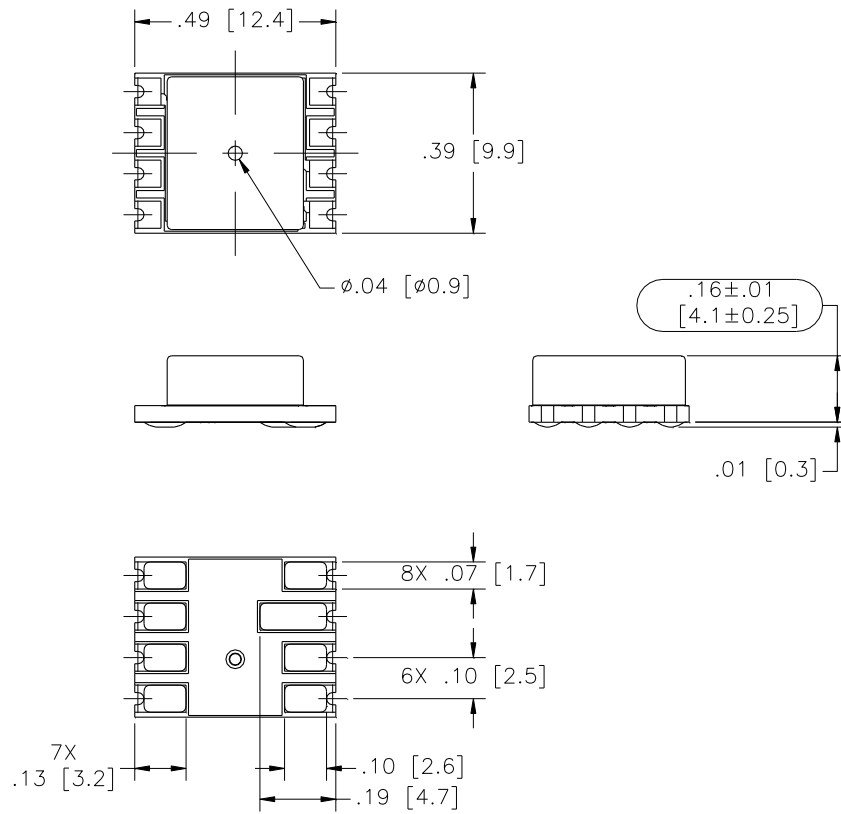


Model: MS4515DO-TPvoixxyC



# MS4515DO

Model: MS4515DO-MMvoixxyC



## APPLICATION NOTES

Measurement Specialties offers a comprehensive selection of product support documentation.

### MS45xx Series Application Note

- ◆ Bypass Capacitor Selection
- ◆ Pressure Hose Recommendations
- ◆ PCB Layout Recommendations

### Interfacing to MEAS Digital Pressure Modules

- ◆ I<sup>2</sup>C or SPI Protocol Description
- ◆ Data Fetch, Measurement Request Commands
- ◆ Timing Diagrams

### Configuration, POR and Power Consumption

- ◆ Standard and Low Power Configuration
- ◆ Power On Reset (POR)
- ◆ Current Consumption by Sampling Frequency

## AVAILABLE OPTIONS

### **Gel Coat (-F Option)**

The MS4515DO is designed for non ionic and clean dry air applications. Select this option for added protection in high humidity or slightly corrosive environments with the application of a silicone gel elastomer to sensor and ASIC. For questions concerning media compatibility, contact the factory.

### **Low Power (-L Option)**

Select this option for battery powered or handheld device applications. In this configuration, the sensor and calibration microcontroller are powered down, drawing a current of  $\sim 0.6\mu\text{A}$  ( $V_s=5.0\text{ Vdc}$ ). When the master sends a **Read MR** (measurement request) command (I<sup>2</sup>C or SPI); the sensor is “awaken” and begins the measurement cycle; data is then placed onto the output registers. The sensor and calibration microcontroller are powered down again, awaiting the **Read DF** (data fetch) command from the master.

## ORDERING INFORMATION

4515DO	-	DS	3	A	I	004	G	P	
Model	-	Package Style	Supply Voltage	Output Type	Interface Type	Pressure Range (" H <sub>2</sub> O)	Pressure Type	Pin Style	Option Type
<b>MS4515DO</b>	-	<b>SS</b> = Single Sideport <b>DS</b> = Dual Sideport <b>TP</b> = Top Port <b>MM</b> = Manifold Mount	<b>3</b> = 3.3 Vdc <b>5</b> = 5.0 Vdc	<b>A</b> = 10% to 90% <b>B</b> = 5% to 95%	<b>I</b> = I <sup>2</sup> C (Addr.0x28H) <b>J</b> = I <sup>2</sup> C (Addr.0x36H) <b>K</b> = I <sup>2</sup> C (Addr.0x46H) <b>S</b> = SPI (not available for 'L' pin style) <b>0</b> = I <sup>2</sup> C (Addr.0x48H) : : <b>9</b> = I <sup>2</sup> C (Addr.0x51H)	<b>002</b> <b>004</b> <b>005</b> <b>010</b> <b>020</b> <b>030</b>	<b>D</b> = Differential <b>G</b> = Gage	<b>P</b> = Thru Hole <b>S</b> = J Lead <b>L</b> = In Line <b>C</b> = Castellation	<b>Blank</b> = No Option <b>F</b> = Gel Coating <b>L</b> = Low Power <b>M</b> = Gel Coating and Low Power

**NORTH AMERICA**

Measurement Specialties, Inc.,  
a TE Connectivity company  
Tel: 800-522-6752 (option 2)  
Email: [customercare.frm1@te.com](mailto:customercare.frm1@te.com)

**EUROPE**

Measurement Specialties (Europe), Ltd.,  
a TE Connectivity Company  
Tel: 800-440-5100  
Email: [customercare.bevx@te.com](mailto:customercare.bevx@te.com)

**ASIA**

Measurement Specialties (China) Ltd.,  
a TE Connectivity company  
Tel: 0400-820-6015  
Email: [customercare.shzn@te.com](mailto:customercare.shzn@te.com)

**TE.com/sensorsolutions**

Measurement Specialties, Inc., a TE Connectivity company.

Measurement Specialties, TE Connectivity, TE Connectivity (logo) and EVERY CONNECTION COUNTS are trademarks. All other logos, products and/or company names referred to herein might be trademarks of their respective owners.

The information given herein, including drawings, illustrations and schematics which are intended for illustration purposes only, is believed to be reliable. However, TE Connectivity makes no warranties as to its accuracy or completeness and disclaims any liability in connection with its use. TE Connectivity's obligations shall only be as set forth in TE Connectivity's Standard Terms and Conditions of Sale for this product and in no case will TE Connectivity be liable for any incidental, indirect or consequential damages arising out of the sale, resale, use or misuse of the product. Users of TE Connectivity products should make their own evaluation to determine the suitability of each such product for the specific application.

© 2015 TE Connectivity Ltd. family of companies All Rights Reserved.