

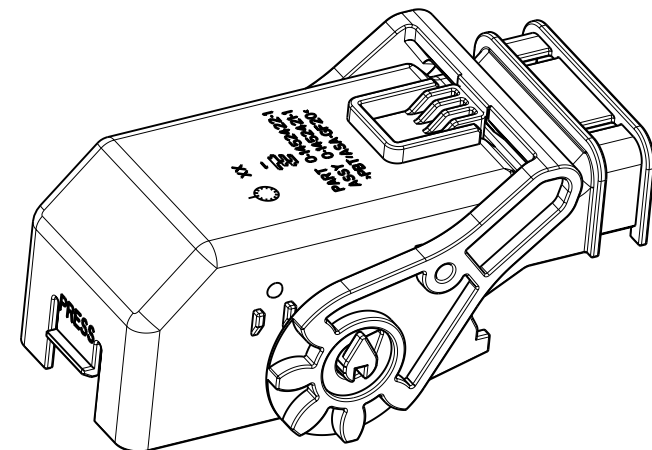
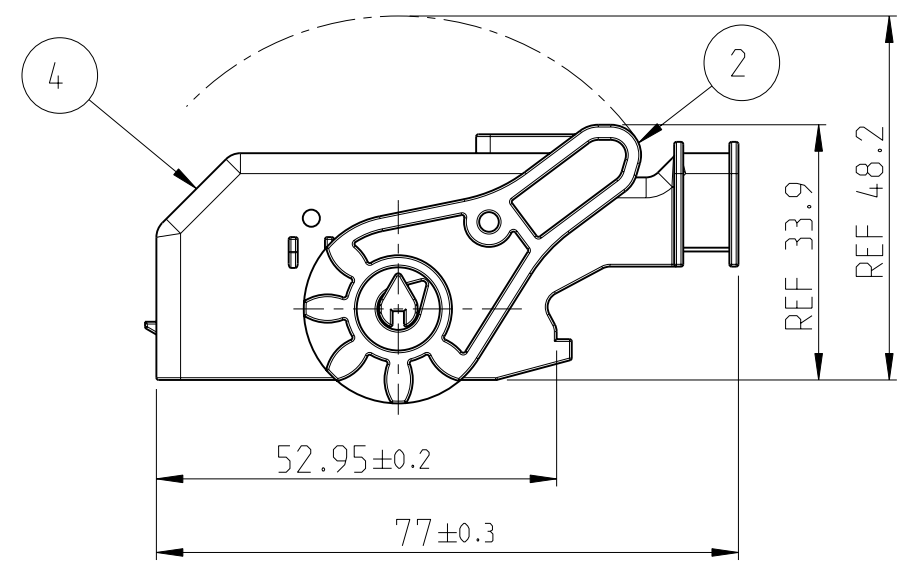
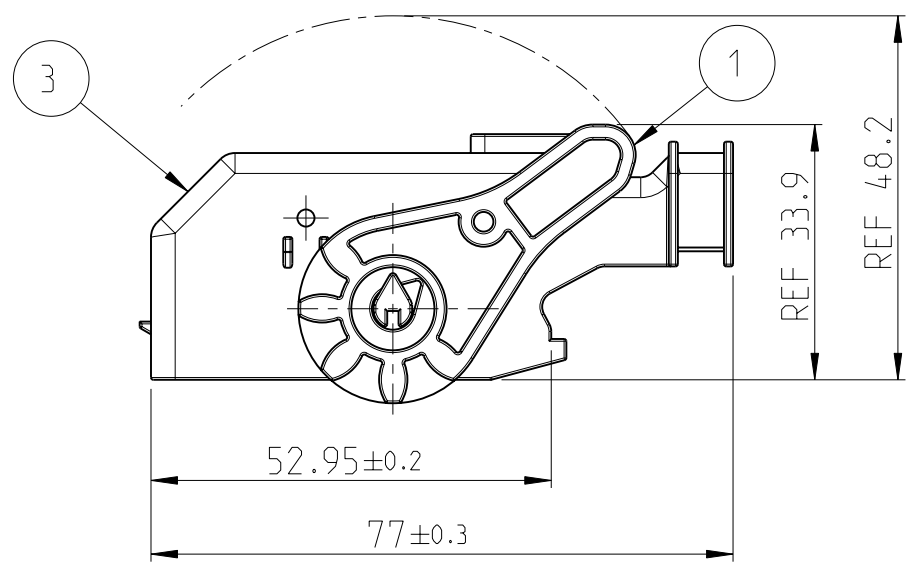
THIS DRAWING IS UNPUBLISHED
 RELEASED FOR PUBLICATION
 2002
 © COPYRIGHT 2002 BY TYCO ELECTRONICS CORPORATION. ALL RIGHTS RESERVED.

LOC
A1
DIST
-

REVISIONS					
P	LTR	DESCRIPTION	DATE	DWN	APVD
D		EGA0-0850-03	20JAN2004	GP	GM
E		ECR-06-008012	03APR2006	GP	GM
E1		ECR-09-008099	09APR2009	HKE	ASC
E2		ECR-10-016065	20JUL2010	GP	GM

0-1452421-1

0-1452421-3



NOTES:
 Bemerkungen:
 1 ASSY DELIVERED WITH LEVER IN ENDOCKED POSITION
 Anlieferungszustand: Lever in Endraststellung

MATED WITH verwendet mit	1563172 1452415	1563172 1452415				
	1x		PBT/ASA-GF20	58 POS. CON. COVER	BLACK -	4
		1x	PBT/ASA-GF20	58 POS. CON. COVER	BLACK -	3
	1x		PBT-GF20	96 POS. LEVER	GREY -	2
		1x	PBT-GF20	96 POS. LEVER	RED -	1
	0-1452421-3	0-1452421-1	MATERIAL	DESCRIPTION	COLOUR	ITEM NO
	18.3	18.3	WEIGHT OF EACH ASSY. NO [g]			
	QTY REQD PER ASSY		PARTS LIST			

<small>THIS DRAWING IS A CONTROLLED DOCUMENT FOR TYCO ELECTRONICS CORPORATION IT IS SUBJECT TO CHANGE AND THE CONTROLLING ENGINEERING ORGANIZATION SHOULD BE CONTACTED FOR THE LATEST REVISION.</small>		DWN S. DENTER 27MAY2002 CHK G. PUCKEL 27MAY2002 APVD G. MUMPER 27MAY2002 PRODUCT SPEC - APPLICATION SPEC 114-18534-1 WEIGHT -	Tyco Electronics AMP GmbH D - 64625 Bensheim
DIMENSIONS: mm 	TOLERANCES UNLESS OTHERWISE SPECIFIED: 0 PLC ±- 1 PLC ±- 2 PLC ±- 3 PLC ±- 4 PLC ±- ANGLES ±2 MATERIAL - FINISH -	NAME 58 POS. CONNECTOR COVER 90 ASSY FOR 154 POS. CONNECTOR SIZE A3 CAGE CODE 00779 DRAWING NO C-1452421 RESTRICTED TO -	
AMP 1470-19 REV 31MAR2000		CUSTOMER DRAWING SCALE 1:1 SHEET 1 OF 1 REV E2	