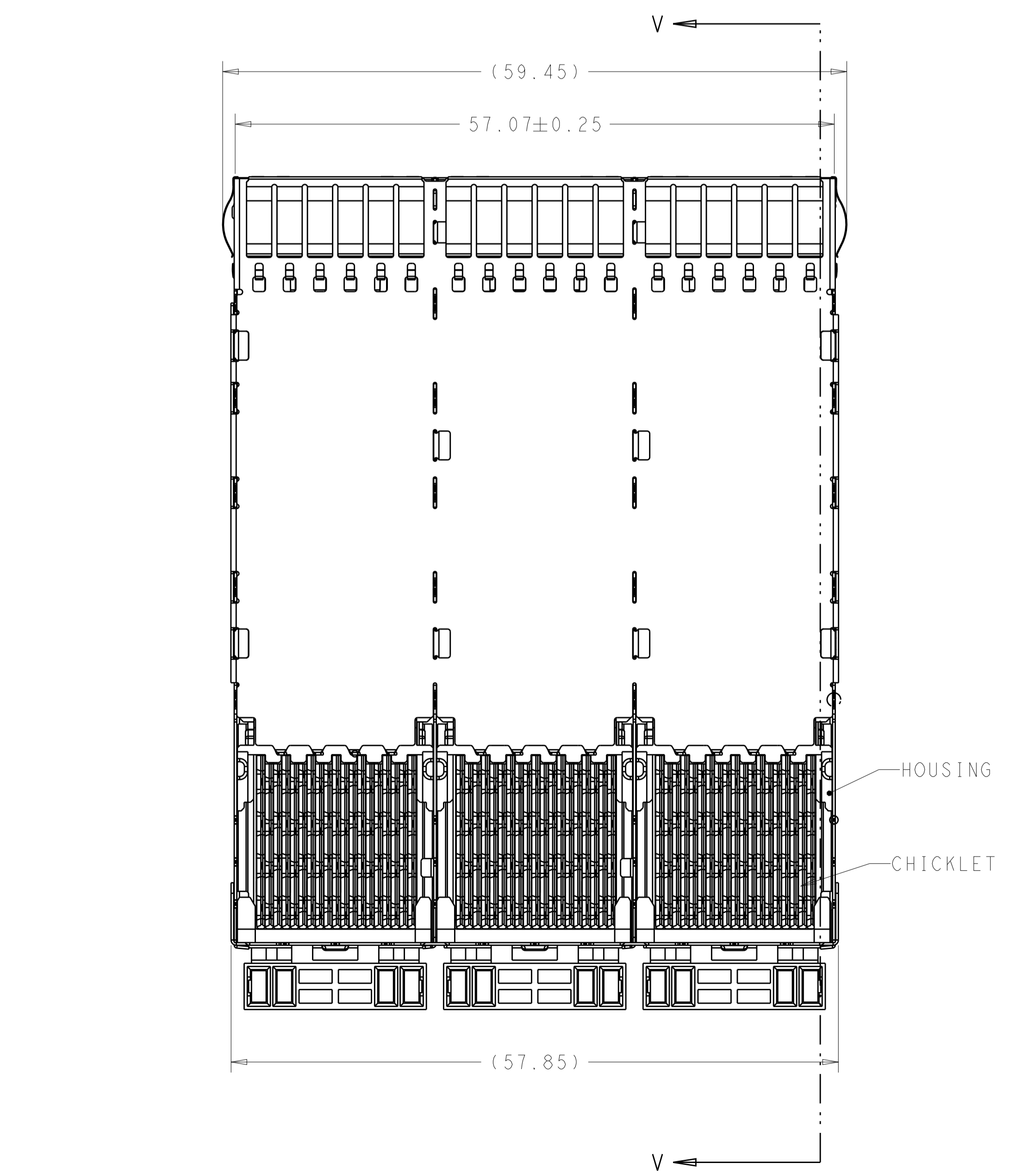
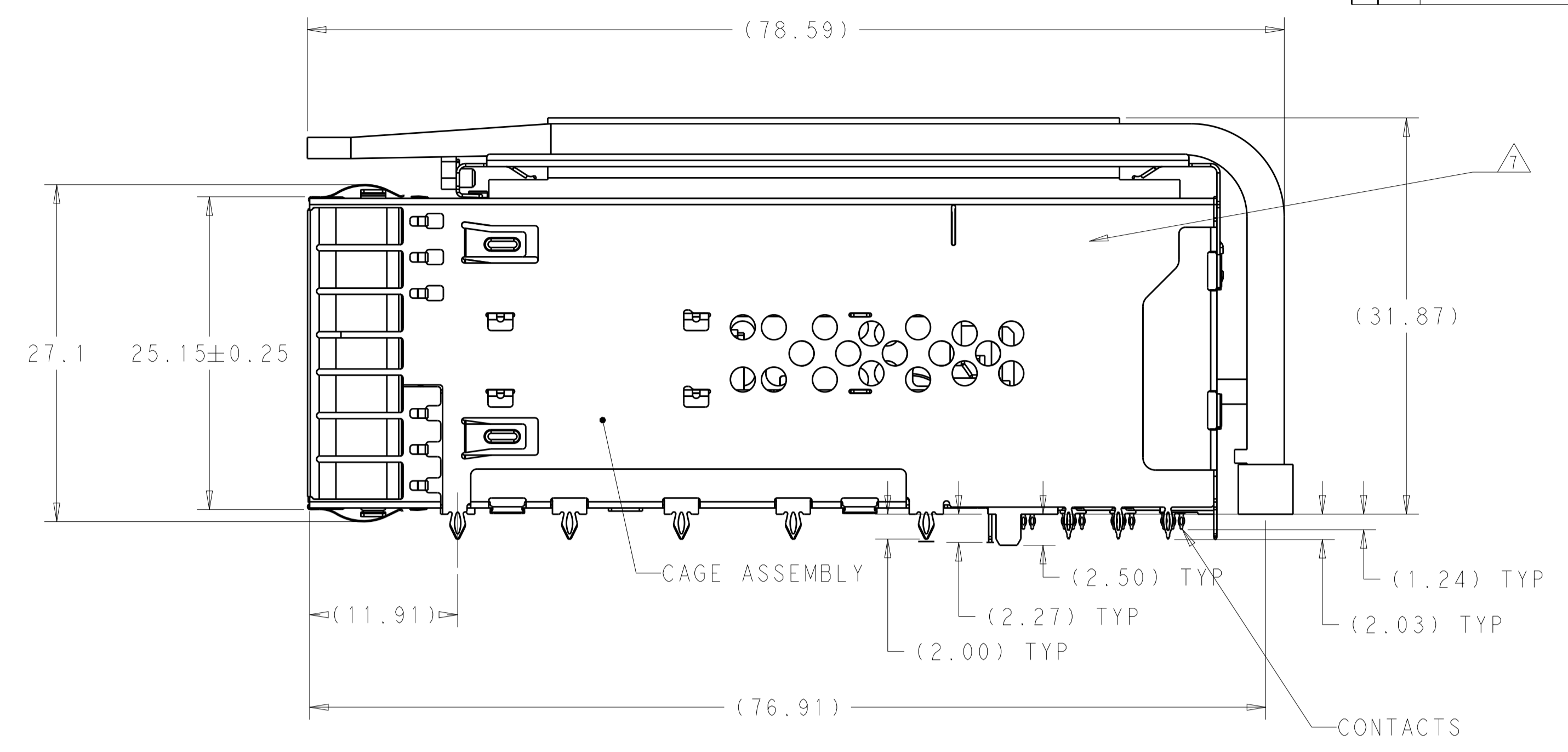
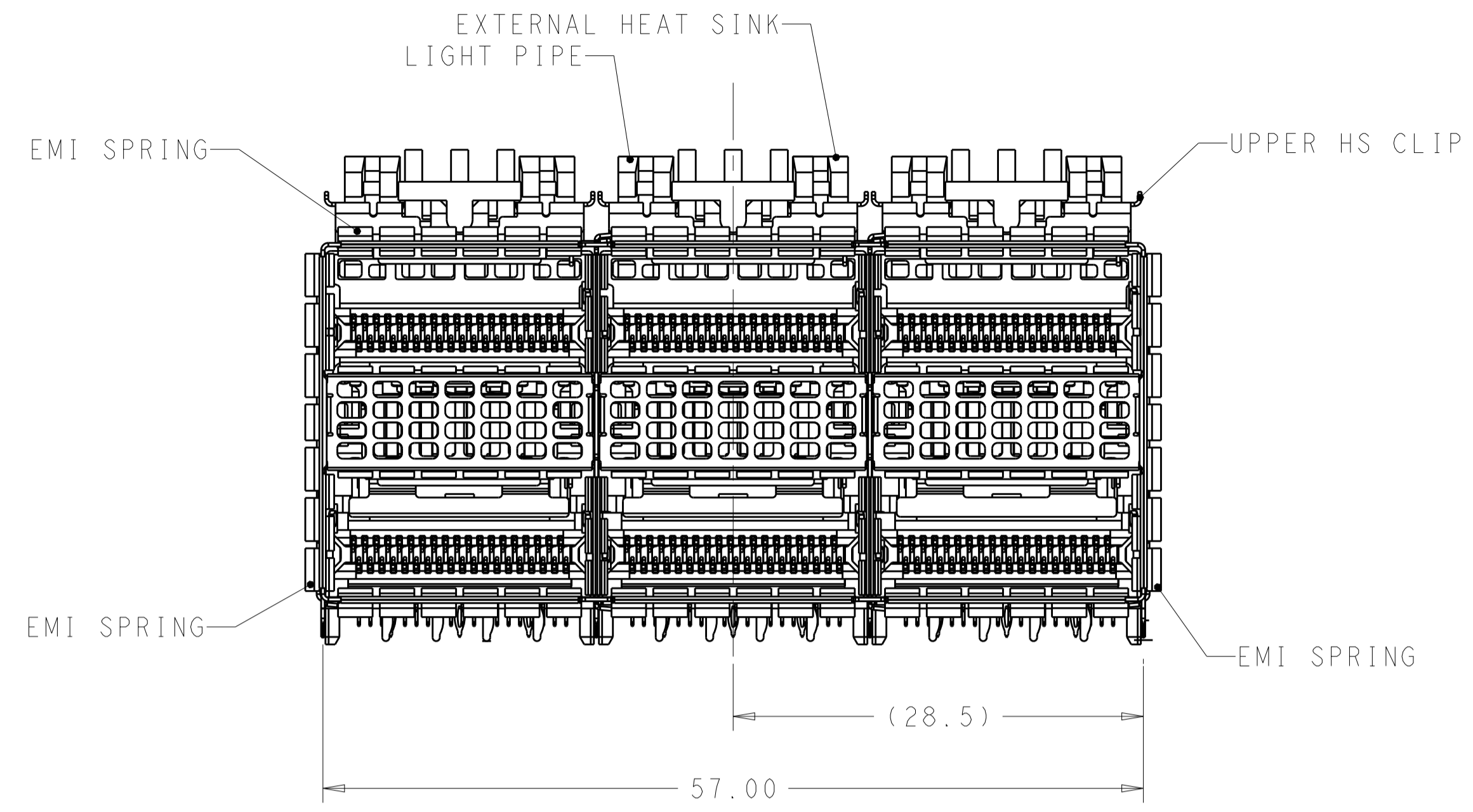


LOC	DIST	REVISIONS					
GP	00	P	LTN	DESCRIPTION	DATE	DWN	APVD
		4		UPDATED LIGHT PIPE SHAPE	04MAR2016	AJ	SH
		5		UPDATED LIGHT PIPE SHAPE	16APR2016	AJ	SH
		7		ADDED DASH BUMBER -4 IN SHEET2	06JUL2016	TX	SH
		8		ADDED DASH NUMBER -5 IN SHEET2	19OCT2016	AJ	SH



- MATERIALS:
 CAGE ASSEMBLY- NICKEL SILVER ALLOY PER ASTM B 122.
 EMI SPRING- COPPER ALLOY, NICKEL PLATED.
 HOUSING- POLYESTER LCP WITH 94 V-0
 CHICKLET- POLYESTER LCP WITH 94 V-0
 CONTACT- COPPER ALLOY.
 LIGHTPIPE- POLYCARBONATE
 HEAT SINK- ALUMINUM
 CLIP- STAINLESS STEEL
- CONTACT FINISH: 0.76µm GOLD ON MATING END, 1.25µm TIN ON SOLDER TAIL, ALL OVER 1.27µm NICKEL.
- DATUM AND BASIC DIMENSION ESTABLISHED BY CUSTOMER.
- MINIMUM PCB THICKNESS OF 1.57.
- THE ENTIRE AREA OF THE CONNECTOR FOOTPRINT, INDICATED BY THE DASHED LINE, TO BE CONSIDERED THE KEEPOUT AREA FOR COMPONENTS.
- CROSS-HATCHED AREAS REPRESENT ZONES ON THE PCB THAT COME IN CONTACT WITH OR BE IN CLOSE PROXIMITY TO THE PLASTIC HOUSING OR THE CONNECTOR CAGE. INDICATED AREAS TO BE CONSIDERED TRACE FREE.
- PART NUMBER AND DATE CODE MADE IN APPROXIMATE AREA SHOWN.
- HATCHED AREA IS PLACEMENT ZONE FOR LED. LED SHOULD BE CENTERED WITHIN ZONE. RECOMMEND 0805 PACKAGE

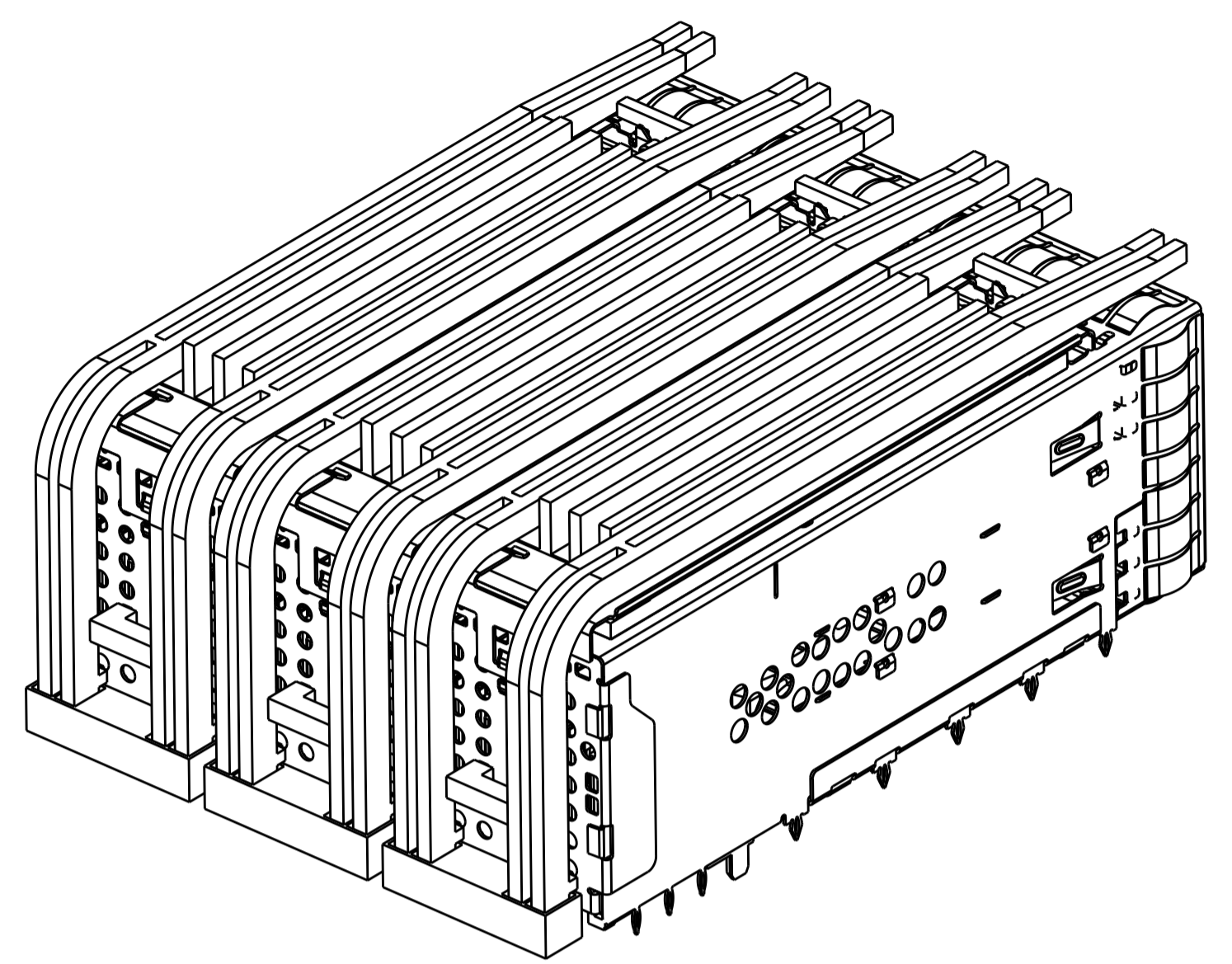
CONTACT FINISH	DESCRIPTION	PART NUMBER
2	WITH HS & WITH LP	2299924-5
2	WITHOUT UPPER HS OR LP	2299924-4
2	WITH HS & WITHOUT LP	2299924-3
2	WITH HS & WITHOUT LP	2299924-2
2	WITH HS & WITH LP	2299924-1

THIS PRINT IS
PRELIMINARY
 UNQUALIFIED PRODUCT
 CONTACT PRODUCT ENGINEERING
 BEFORE USING THIS PRINT

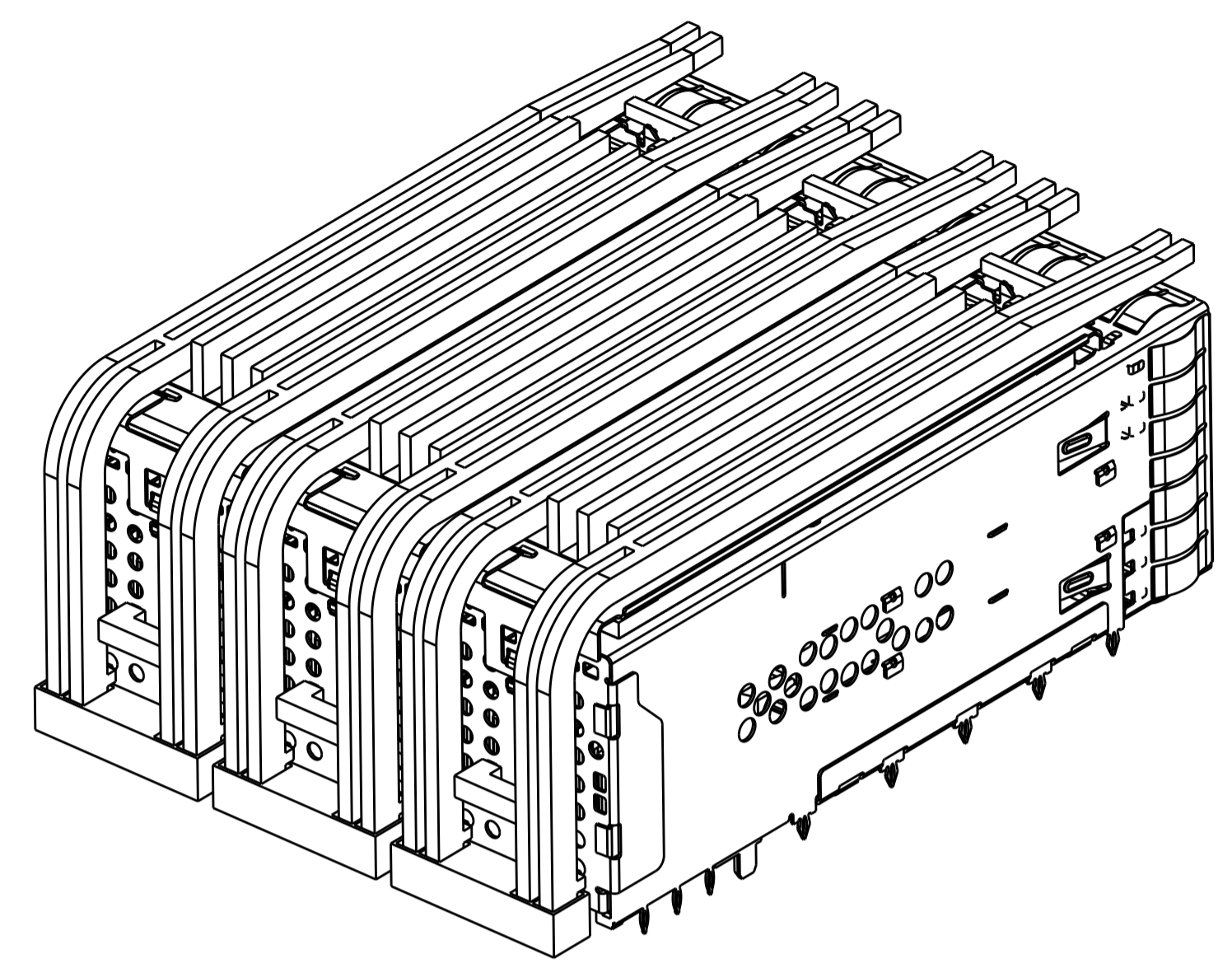
THIS DRAWING IS A CONTROLLED DOCUMENT. DWN: ARTHUR JIN 20JAN2016
 CHK: SEAN HAN 20JAN2016
 APVD: SEAN HAN 20JAN2016
 NAME: PRODUCT SPEC
 APPLICATION SPEC
 SIZE: CAGE CODE DRAWING NO
 WEIGHT: A100779
 RESTRICTED TO: CUSTOMER DRAWING
 SCALE: 1:1 SHEET 1 OF 6 REV 8

PRELIMINARY
 CAGE AND CONNECTOR ASSEMBLY WITH
 EMI SPRING FINGERS, THRU BEZEL,
 2X3 ZQSF+ STACKED WITH HS

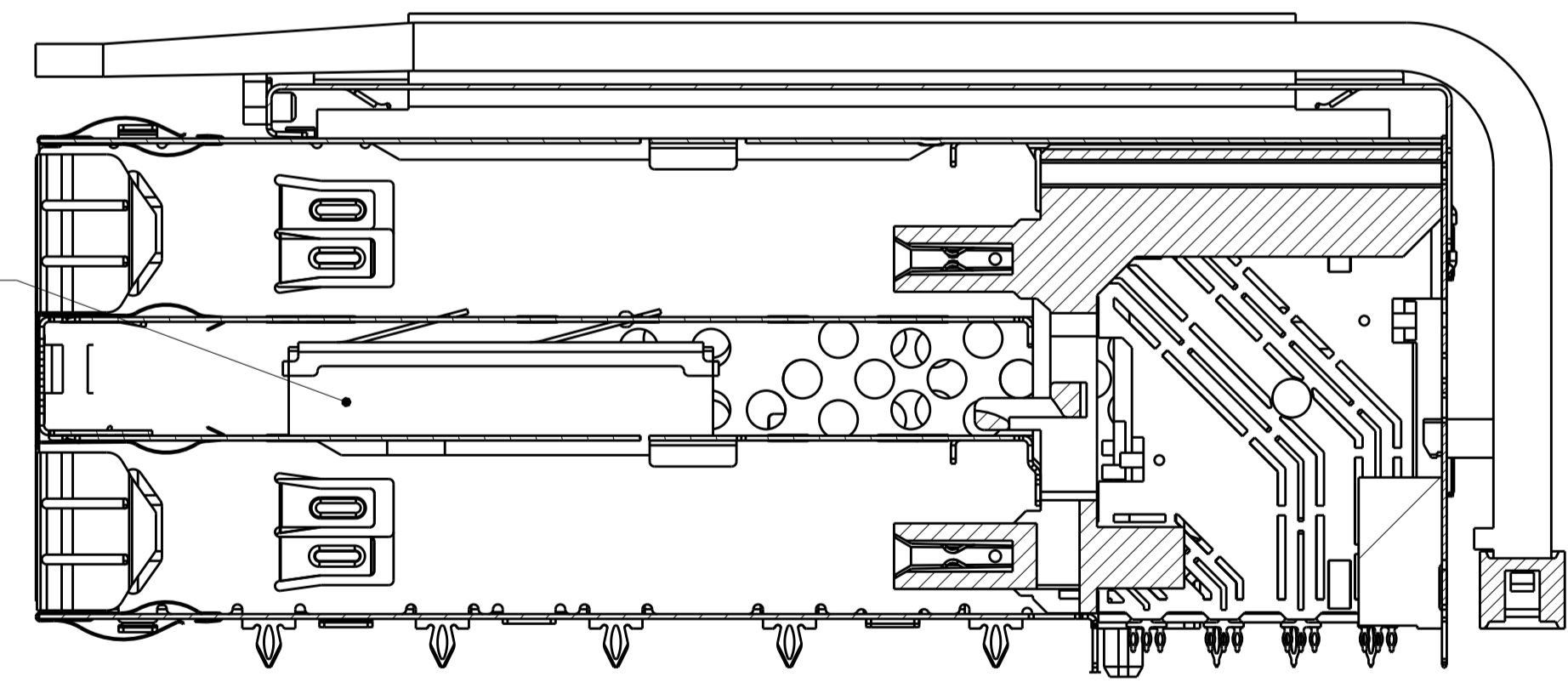
LOC		DIST		REVISIONS			
P.	LTN	DESCRIPTION	DATE	DMN	APVD		
-	-	SEE SHEET 1	-	-	-		



2299924-1 AS SHOWN
SCALE 2:1

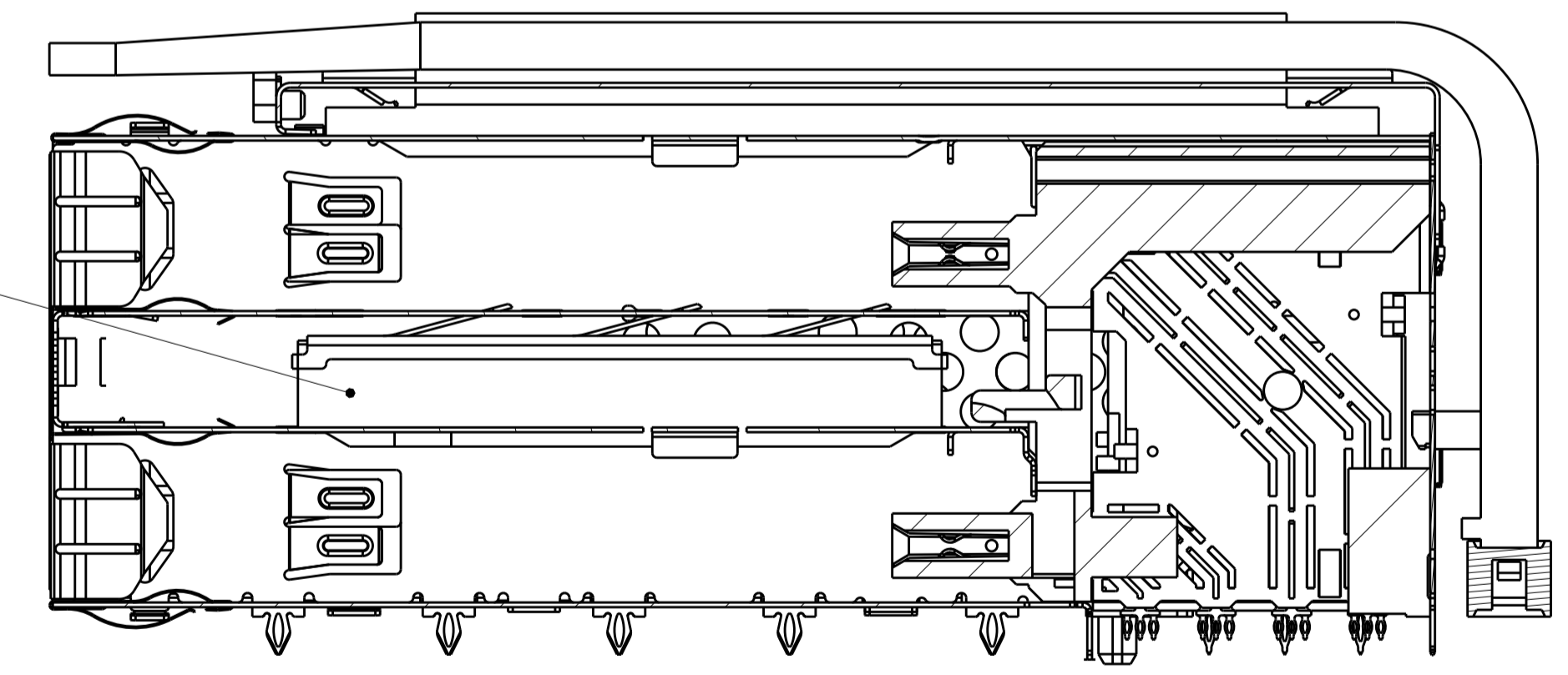


2299924-5 AS SHOWN
HAS THE SAME APPEARANCE WITH 2299924-1
BUT DIFFERENT INTERNAL HEAT SINK
SCALE 2:1



SHORT INTERNAL
HEAT SINK

2299924-1 SECTION VIEW
SECTION V-V
SCALE 3:1



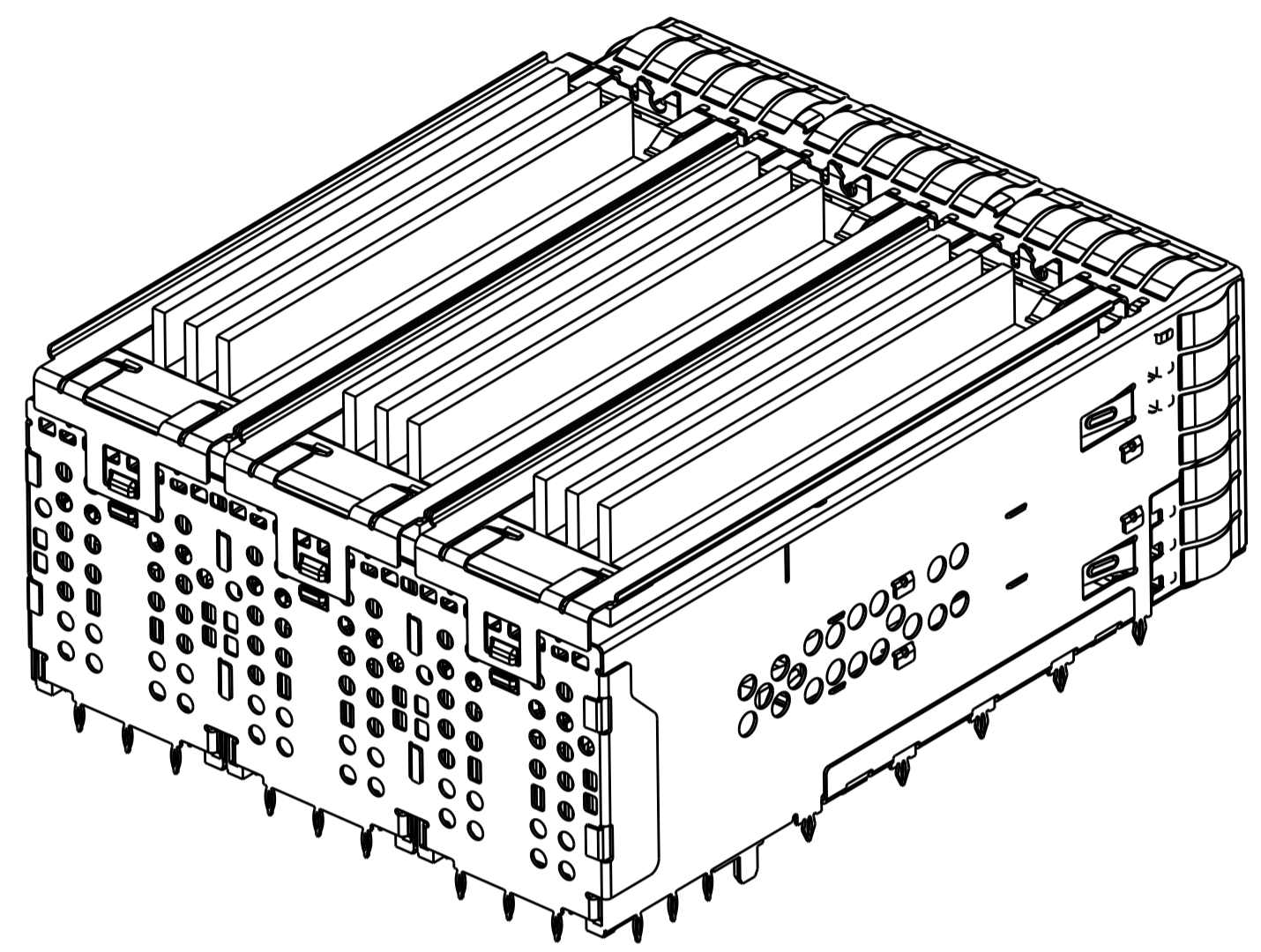
LONGER INTER
HEAT SINK

2299924-5 SECTION VIEW
THE SAME AS 2299924-1 EXCEPT THE LONGER INTER HEAT SINK
SECTION V-V
SCALE 3:1

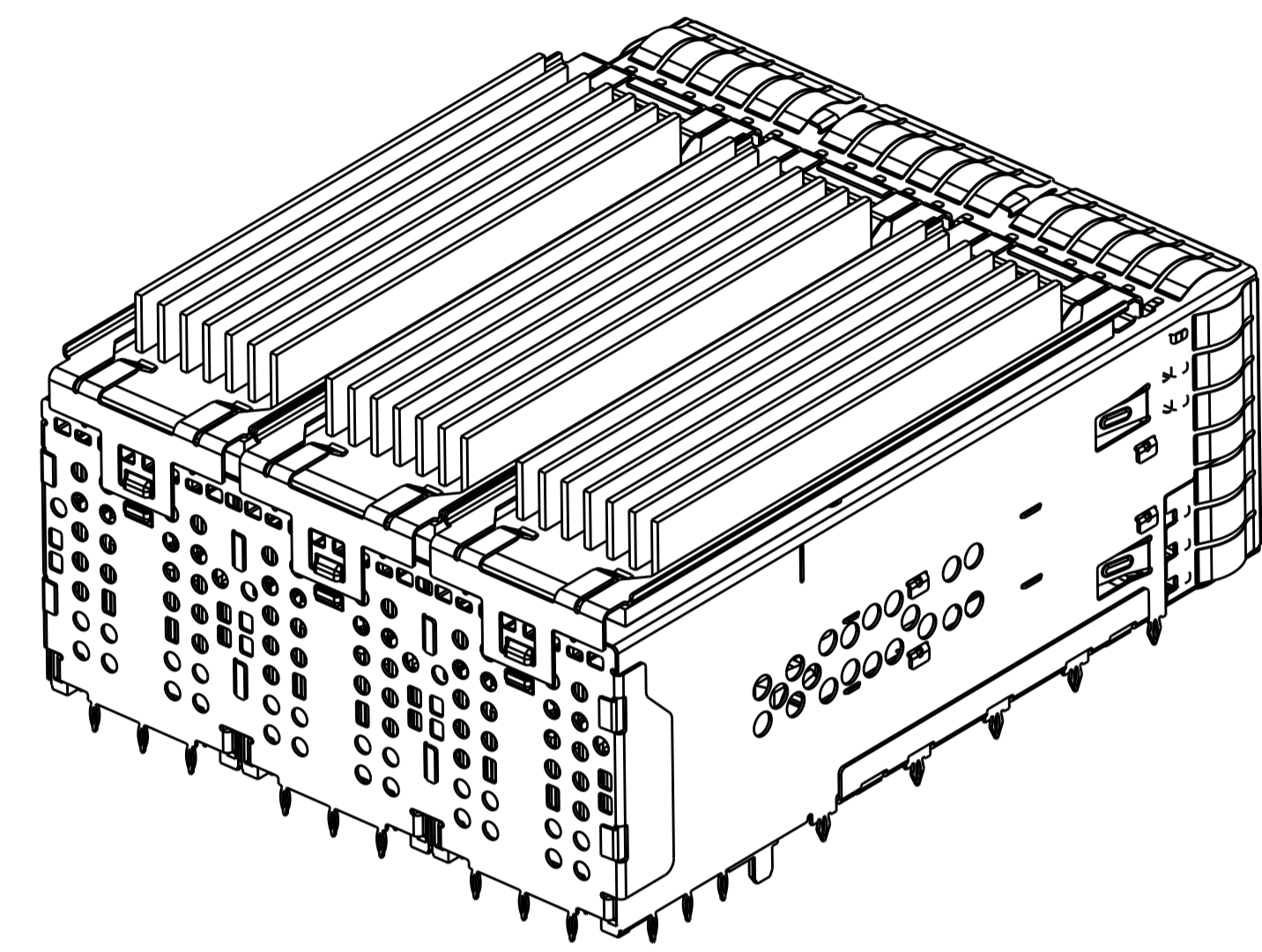
THIS PRINT IS
PRELIMINARY
UNQUALIFIED PRODUCT
CONTACT PRODUCT ENGINEERING
BEFORE USING THIS PRINT

THIS DRAWING IS A CONTROLLED DOCUMENT.		DMN: ARTHUR JLN 20JAN2016	TE Connectivity
DIMENSIONS: mm		CHK: SEAN HAN 20JAN2016	
TOLERANCES UNLESS OTHERWISE SPECIFIED:		APVD: SEAN HAN 20JAN2016	NAME: CAGE AND CONNECTOR ASSEMBLY WITH EMI SPRING FINGERS, THRU BEZEL, 2X3 ZOSFP+ STACKED WITH HS
0 PLC ±		PRODUCT SPEC	
1 PLC ±0.25		APPLICATION SPEC	RESTRICTED TO
2 PLC ±0.15		WEIGHT	A100779C=2299924
3 PLC ±		CUSTOMER DRAWING	SCALE 1:1 SHEET 2 OF 6 REV 8
4 PLC ±			
ANGLES ±			
FINISH			
SEE NOTE 1			
SEE NOTE 2			

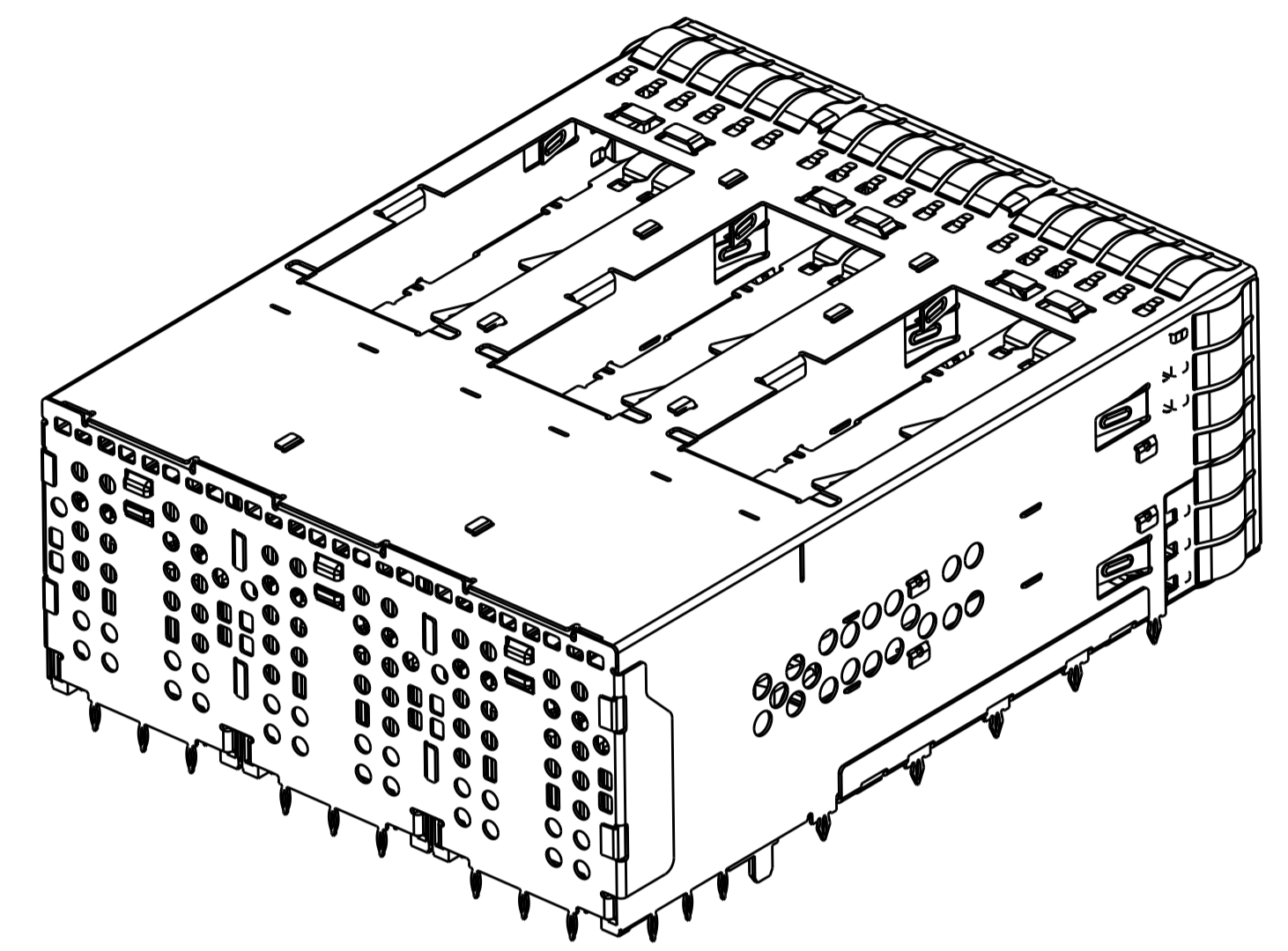
LOC		DIST		REVISIONS			
P.	LTN	DESCRIPTION	DATE	OWN	APVD		
-	-	SEE SHEET 1	-	-	-		



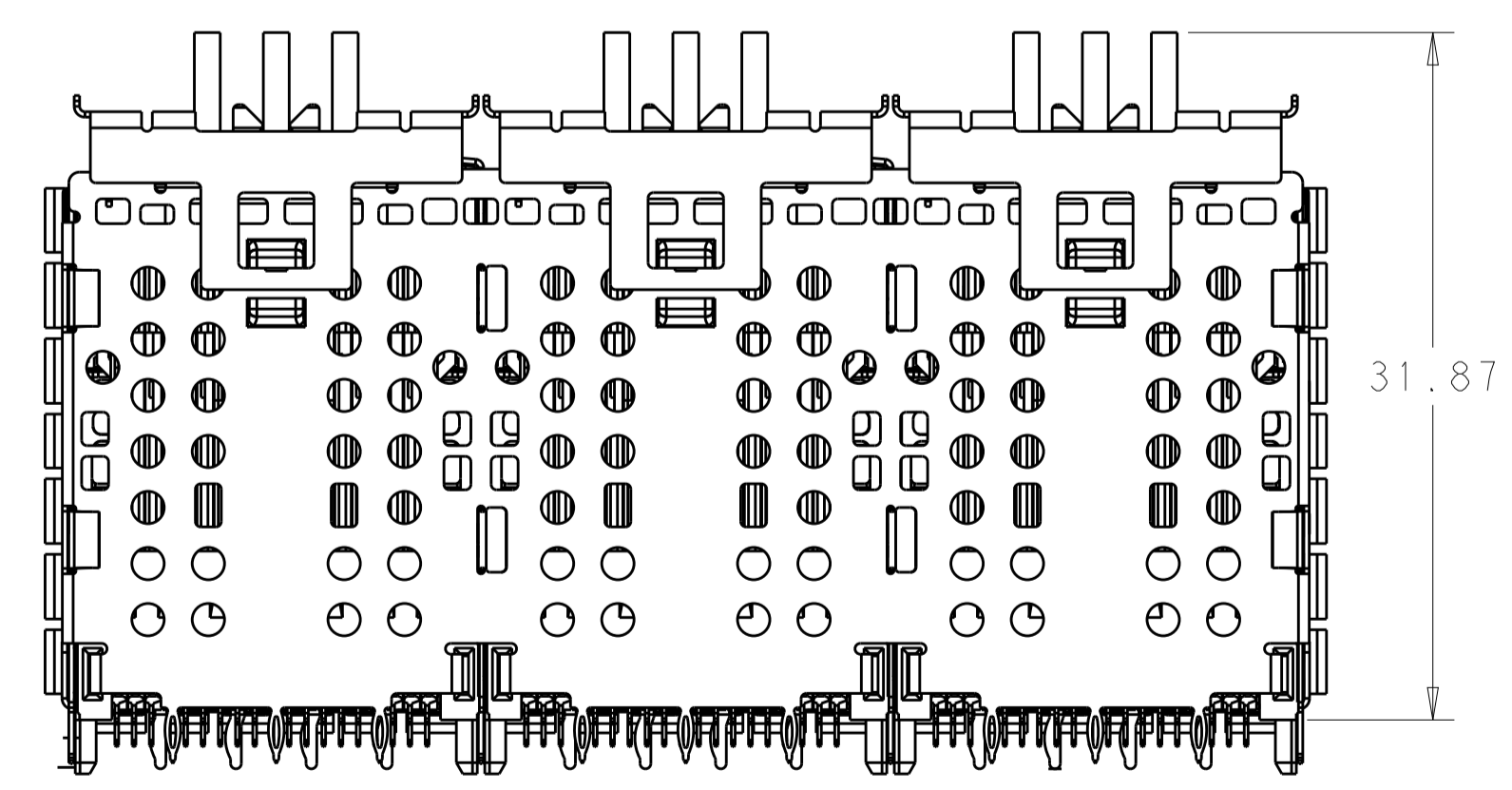
2299924-2 AS SHOWN
 THE SAME AS 2299924-5 EXCEPT
 W/O LIGHT PIPE AND ORGANIZER
 SCALE 2:1



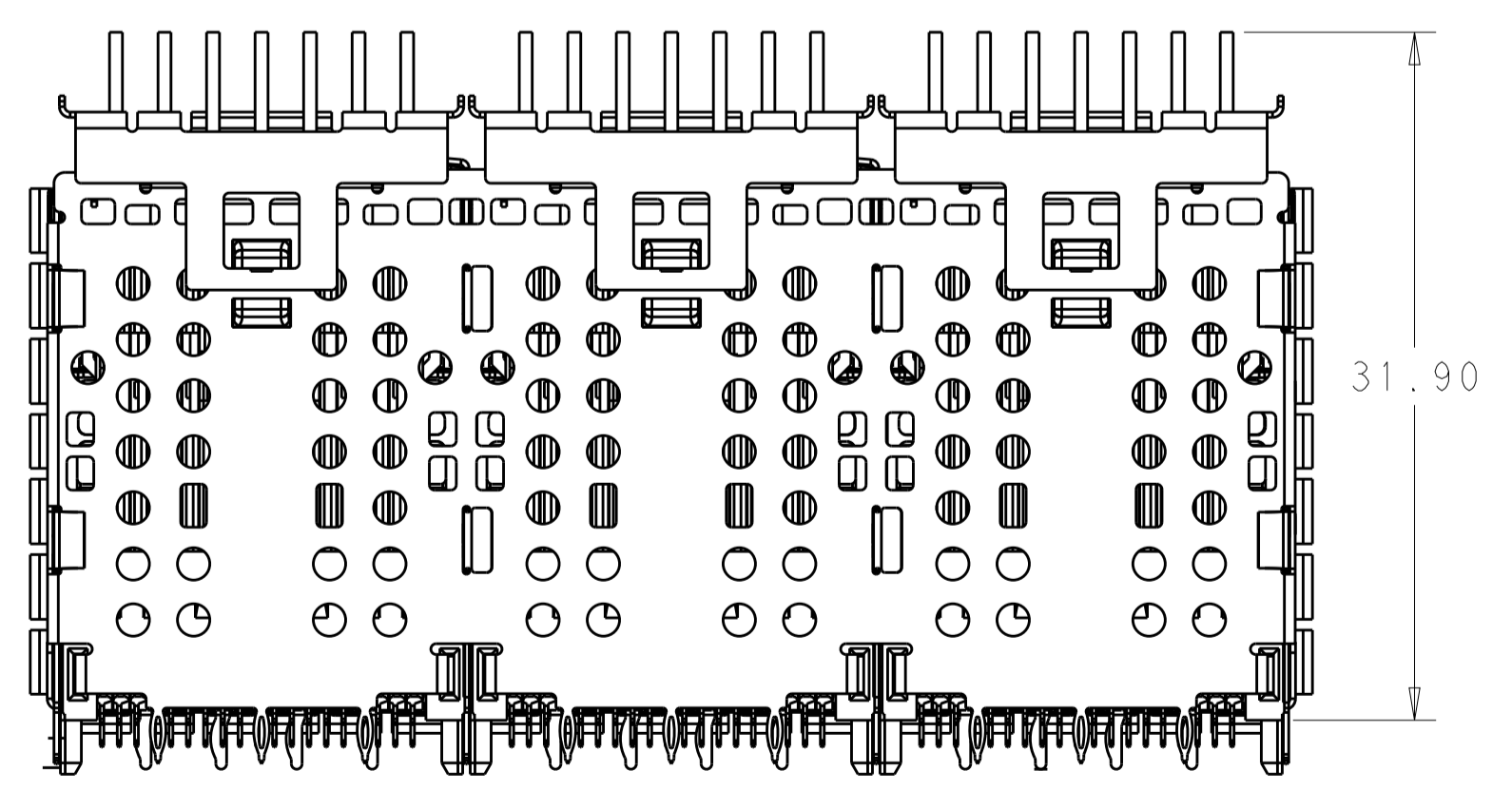
2299924-3 AS SHOWN
 THE SAME AS 2299924-2
 EXCEPT THE DIFFERENT EXTERNAL HEAT SINK
 SCALE 2:1



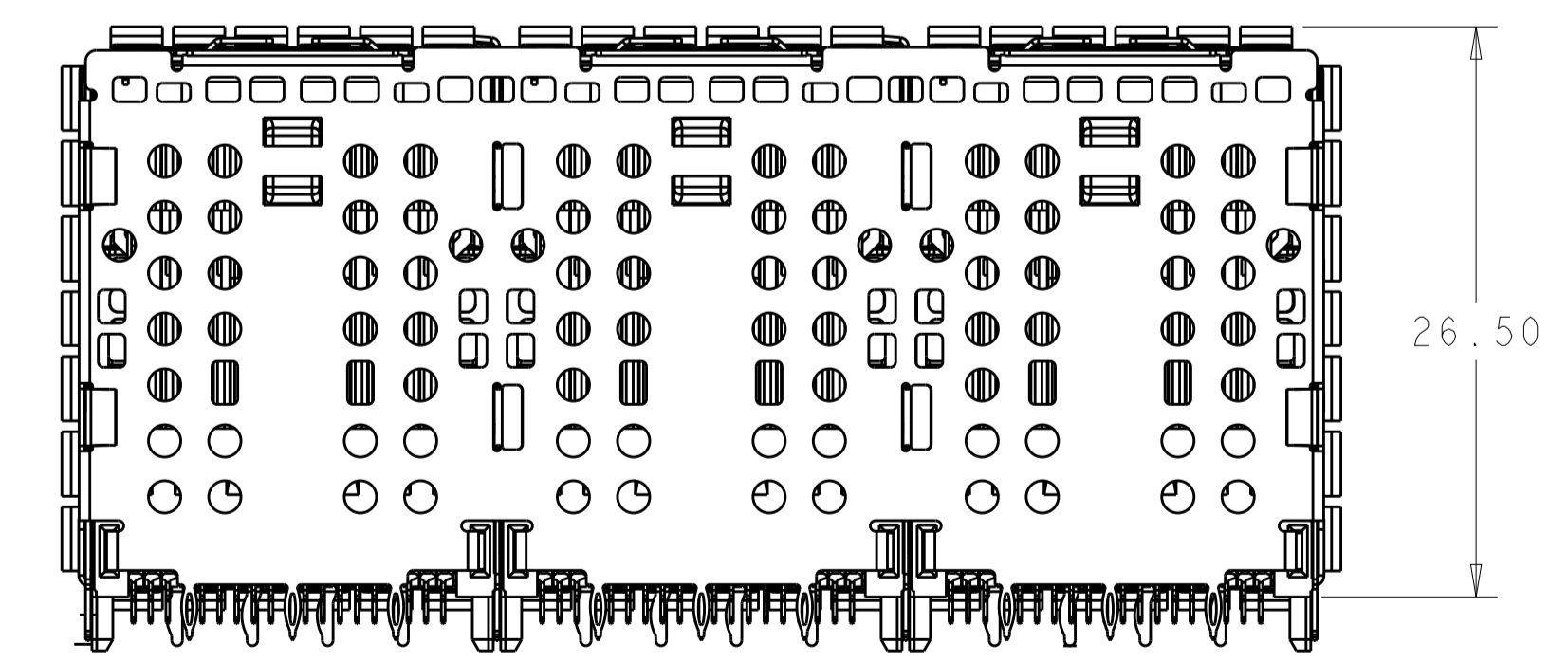
2299924-4 AS SHOWN
 THE SAME AS 2299924-2 EXCEPT
 WITHOUT EXTERNAL HEAT SINK AND LP
 SCALE 2:1



2299924-2
 SCALE 3:1



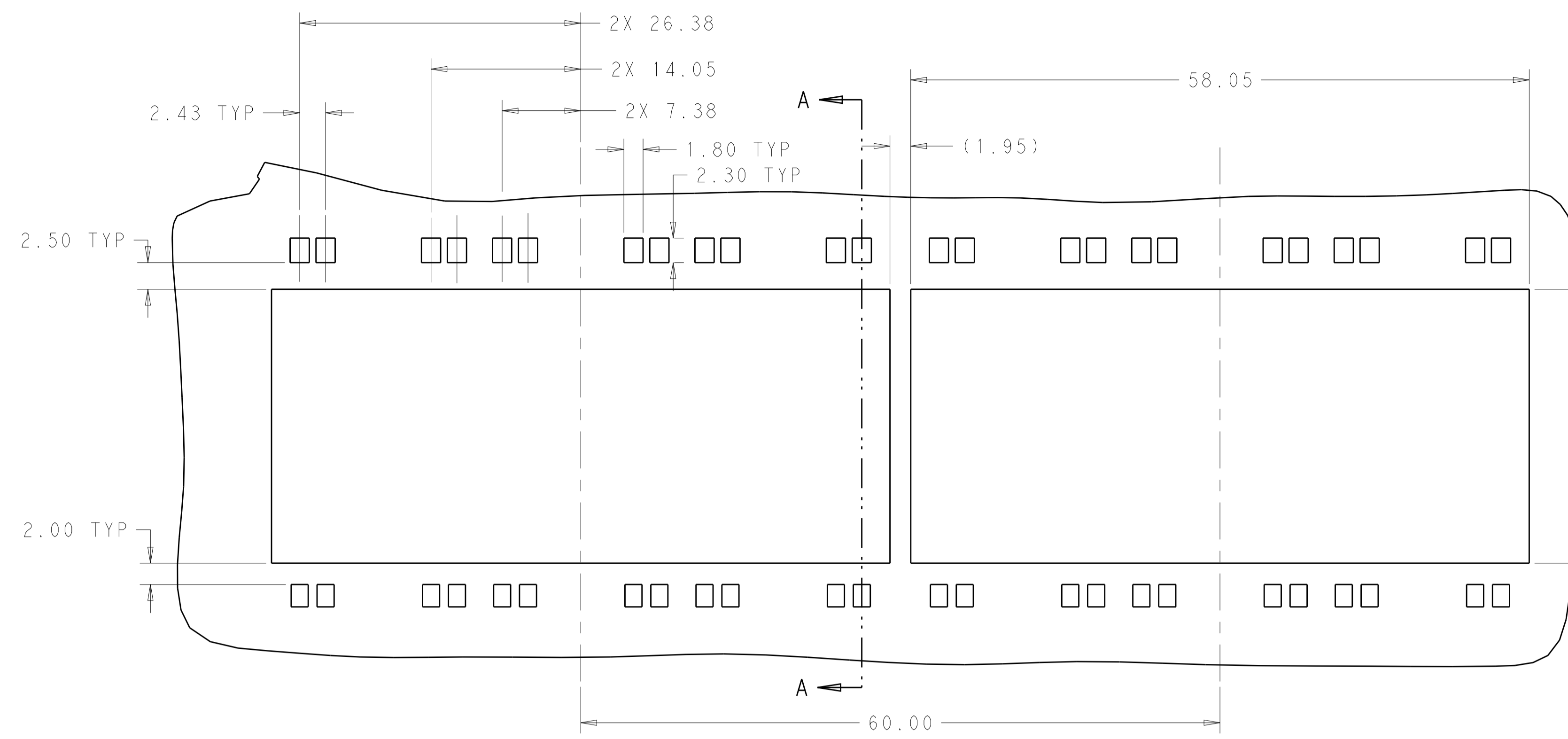
2299924-3
 SCALE 3:1



2299924-4
 SCALE 3:1

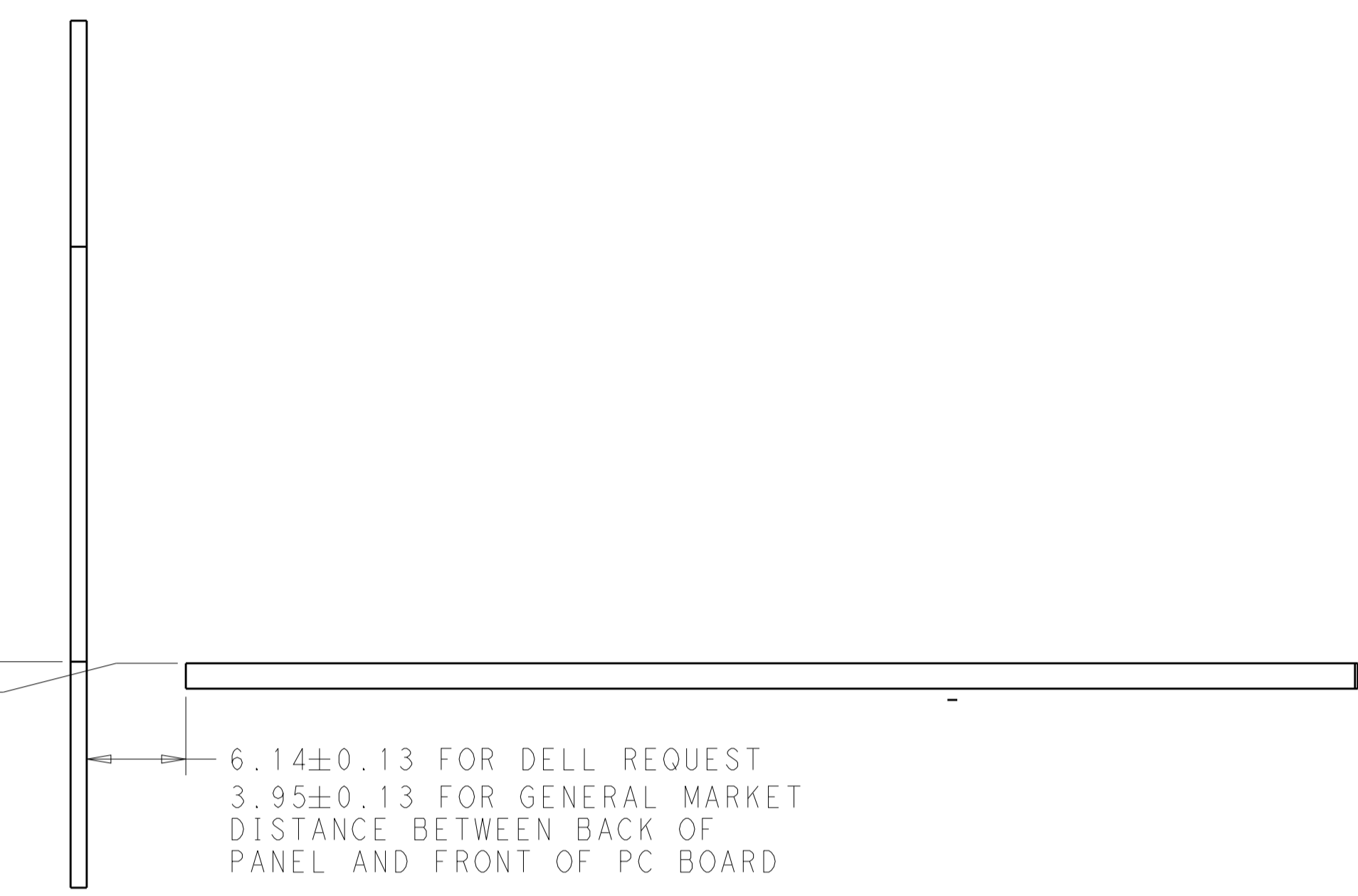
THIS DRAWING IS A CONTROLLED DOCUMENT.		OWN: ARTHUR JIH 20JAN2016	TE Connectivity NAME: CAGE AND CONNECTOR ASSEMBLY WITH EMI SPRING FINGERS, THRU BEZEL, 2X3 ZOSFP+ STACKED WITH HS SIZE: CAGE CODE DRAWING NO. RESTRICTED TO: A100779C=2299924
DIMENSIONS:		CHK: SEAN HAN 20JAN2016	
mm		APVD: SEAN HAN 20JAN2016	
0 PLC ± 1 PLC ±0.25 2 PLC ±0.15 3 PLC ± 4 PLC ± ANGLES ±		PRODUCT SPEC	
MATERIAL: SEE NOTE 1		FINISH: SEE NOTE 2	APPLICATION SPEC
WEIGHT: -		CUSTOMER DRAWING	SCALE: 1:1 SHEET 3 OF 6 REV 8

LOC		DIST		REVISIONS			
P	LTN	DESCRIPTION	DATE	DWN	APVD		
-	-	SEE SHEET 1	-	-	-		



25.70±0.10

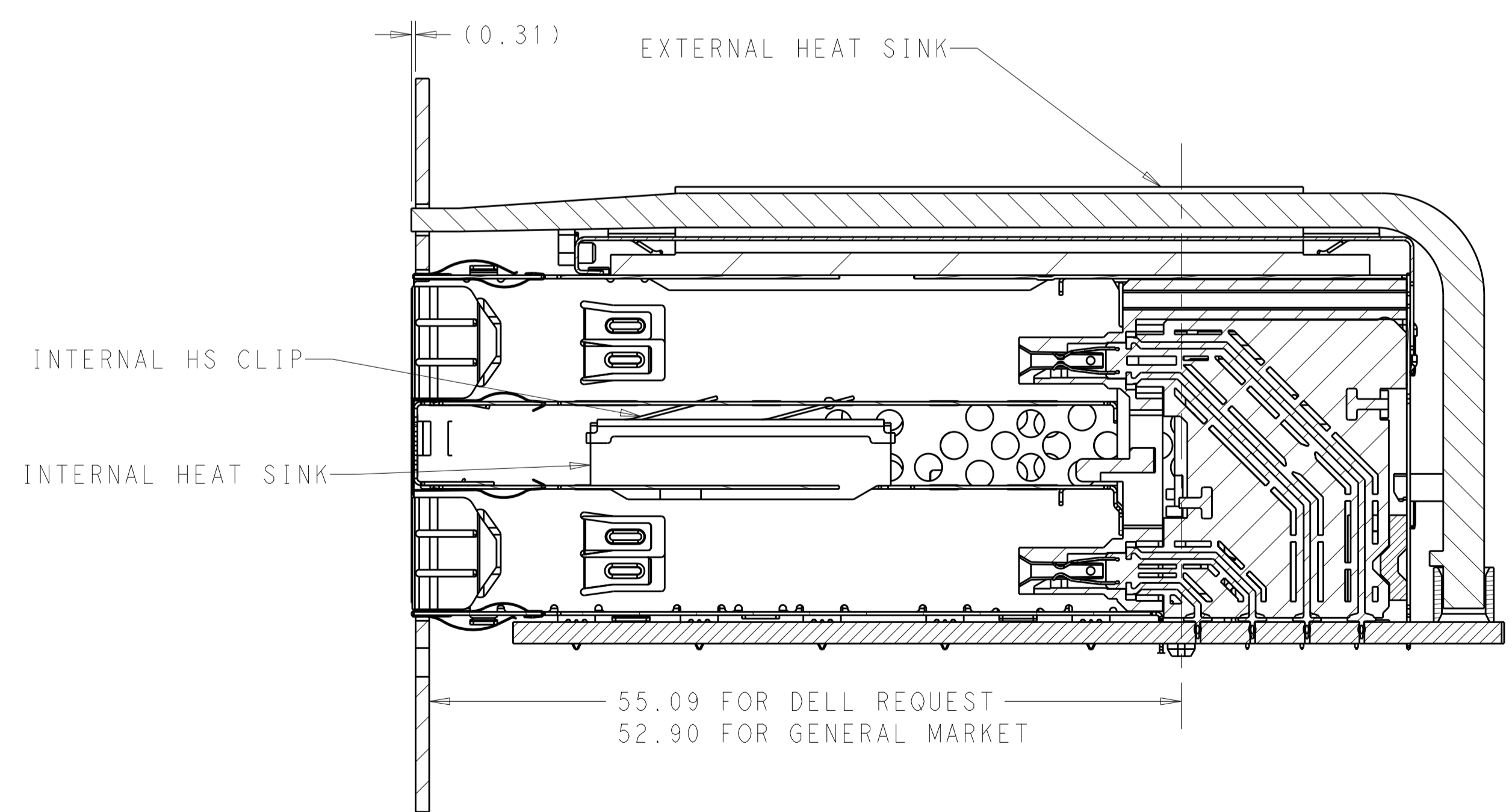
0.10±0.10
 BOTTOM OF CUTOUT IN PANEL
 TO TOP OF PC BOARD



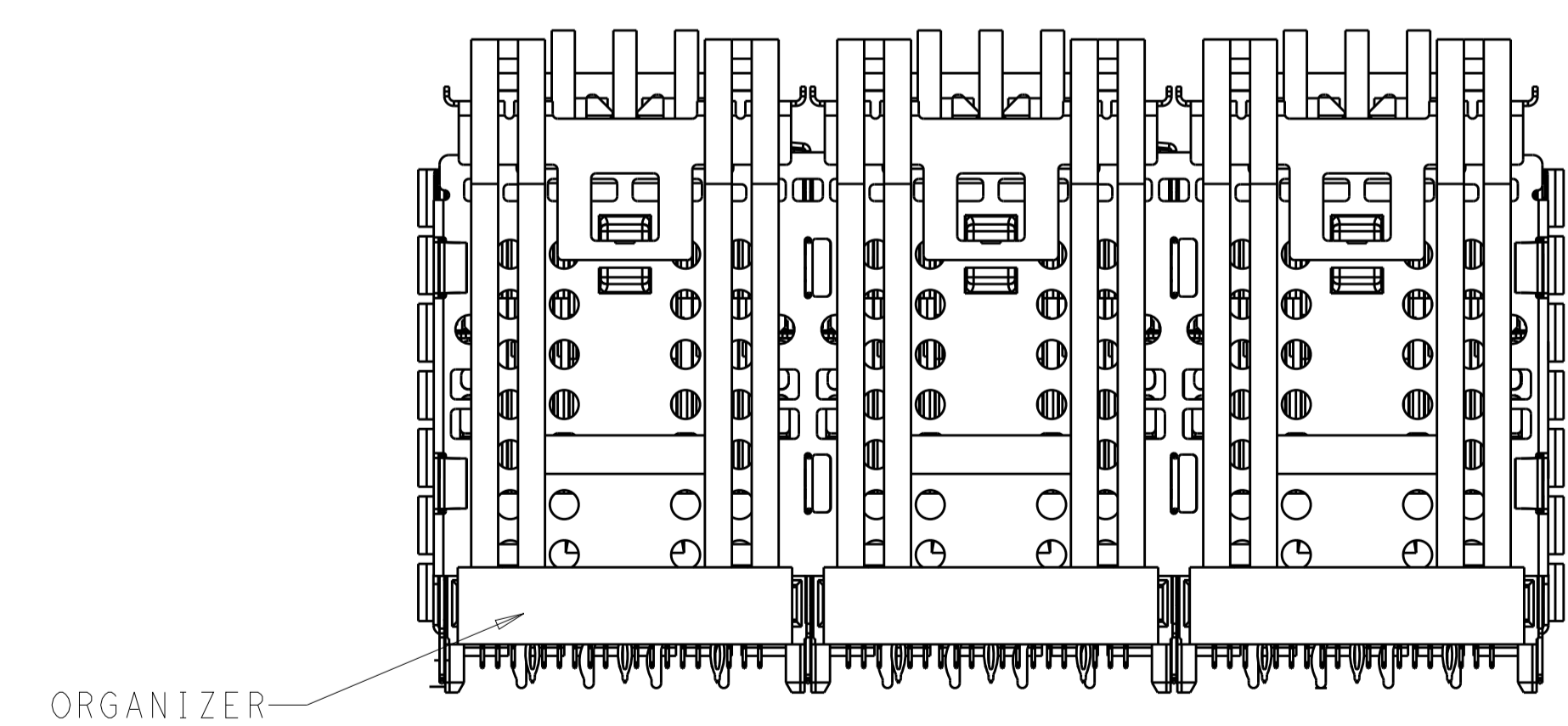
6.14±0.13 FOR DELL REQUEST
 3.95±0.13 FOR GENERAL MARKET
 DISTANCE BETWEEN BACK OF
 PANEL AND FRONT OF PC BOARD

SCALE 3:1

RECOMMENDED PANEL CUTOUT
 AND PC BOARD, PANEL POSITION
 SCALE 3:1



SECTION A-A
 SCALE 3:1

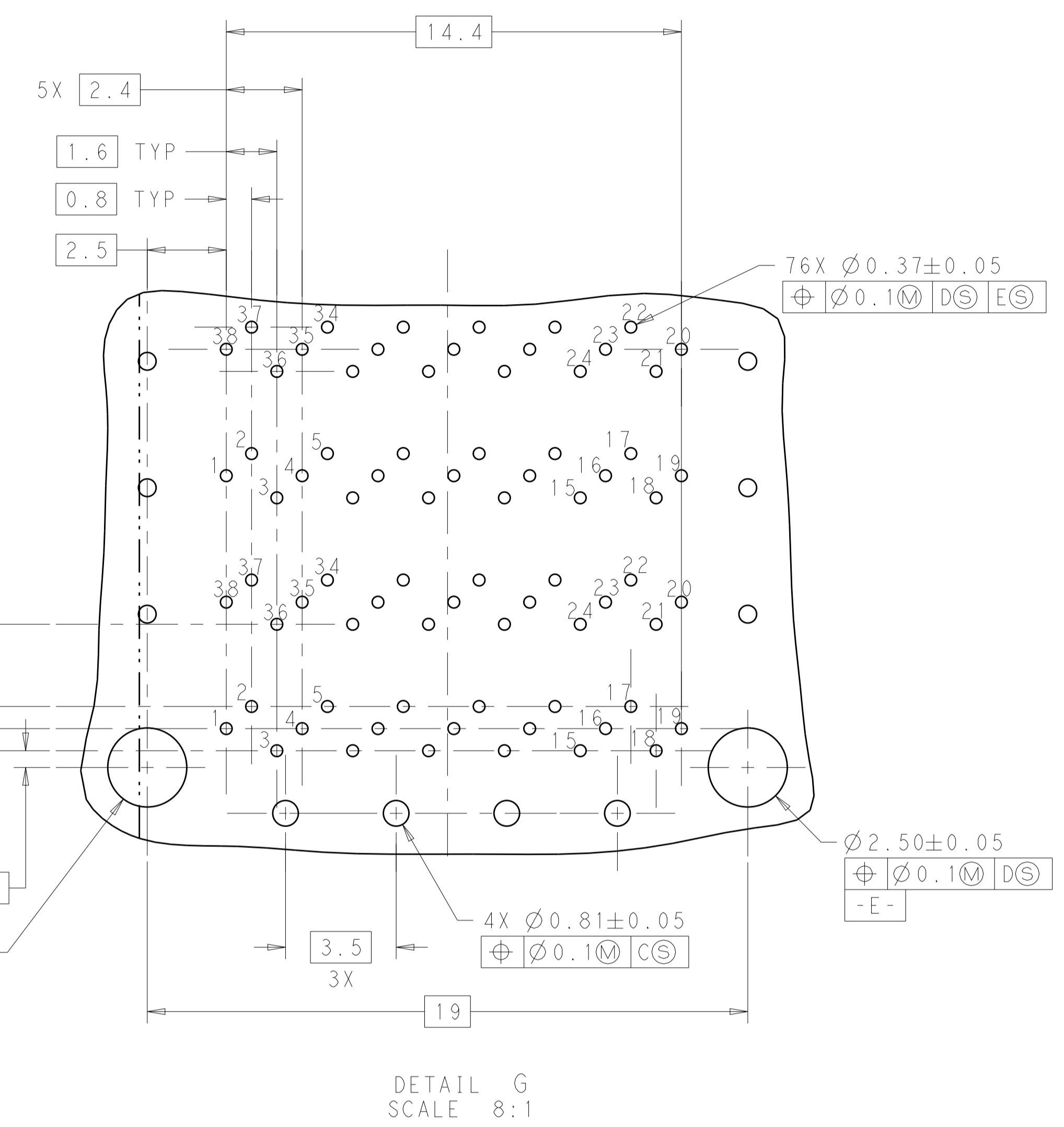
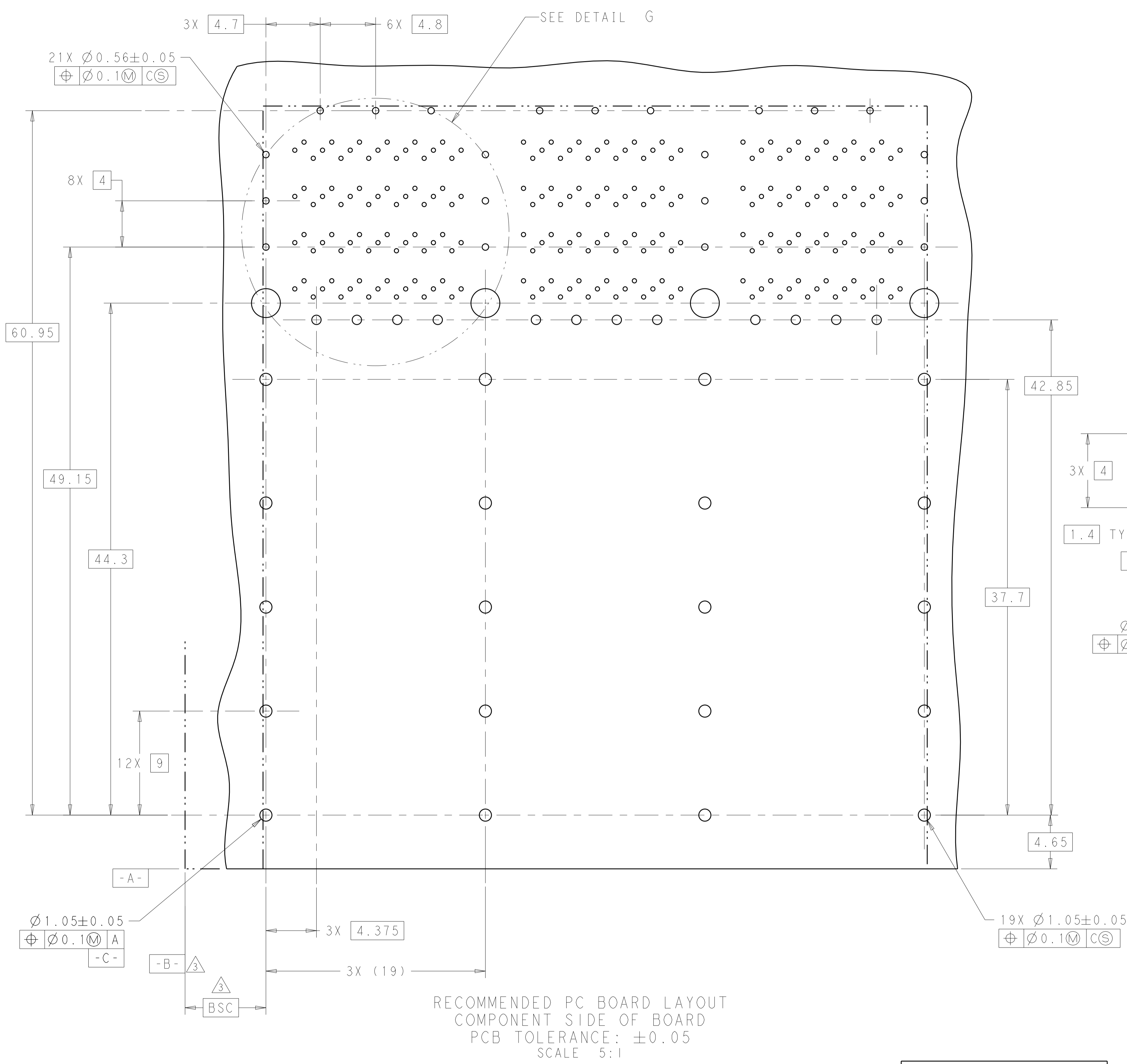


SCALE 3:1

THIS PRINT IS
PRELIMINARY
 UNQUALIFIED PRODUCT
 CONTACT PRODUCT ENGINEERING
 BEFORE USING THIS PRINT

THIS DRAWING IS A CONTROLLED DOCUMENT.		DWN: ARTHUR JLN 20JAN2016	TE Connectivity
DIMENSIONS: mm		CHK: SEAN HAN 20JAN2016	
TOLERANCES UNLESS OTHERWISE SPECIFIED:		APVD: SEAN HAN 20JAN2016	NAME: CAGE AND CONNECTOR ASSEMBLY WITH EMI SPRING FINGERS, THRU BEZEL, 2X3 ZOSFP+ STACKED WITH HS
0 PLC ±	1 PLC ±0.25	PRODUCT SPEC	SIZE: A1
2 PLC ±0.15	3 PLC ±	APPLICATION SPEC	CAGE CODE: 2299924
4 PLC ±	ANGLES ±	WEIGHT	RESTRICTED TO
MATERIAL: SEE NOTE 1	FINISH: SEE NOTE 2	CUSTOMER DRAWING	SCALE: 1:1 SHEET 4 OF 6 REV 8

LOC		DIST		REVISIONS			
P	LTN	DESCRIPTION	DATE	DMN	APVD		
-	-	SEE SHEET 1	-	-	-		

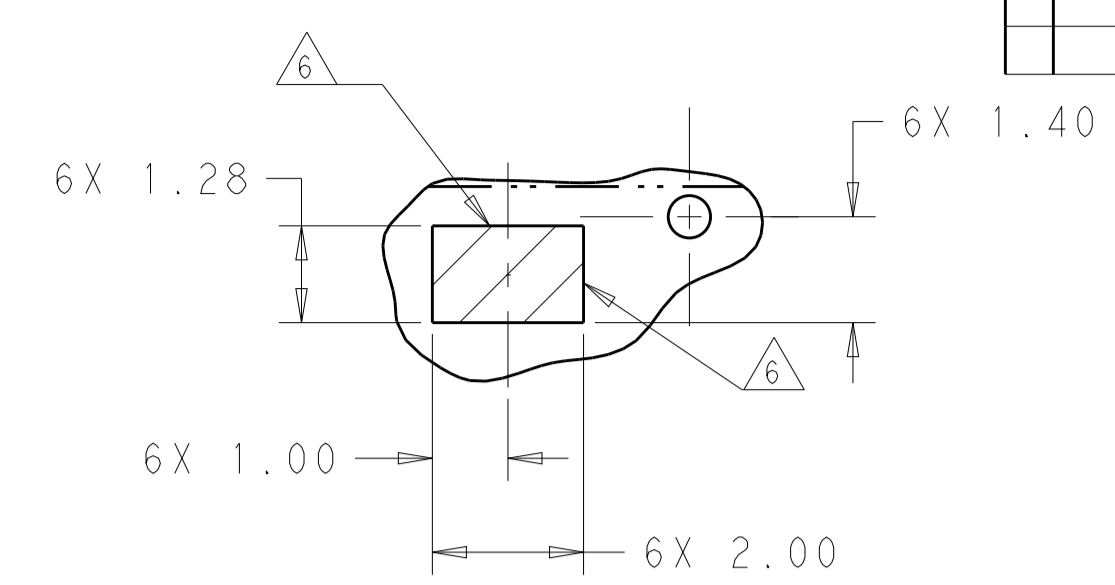
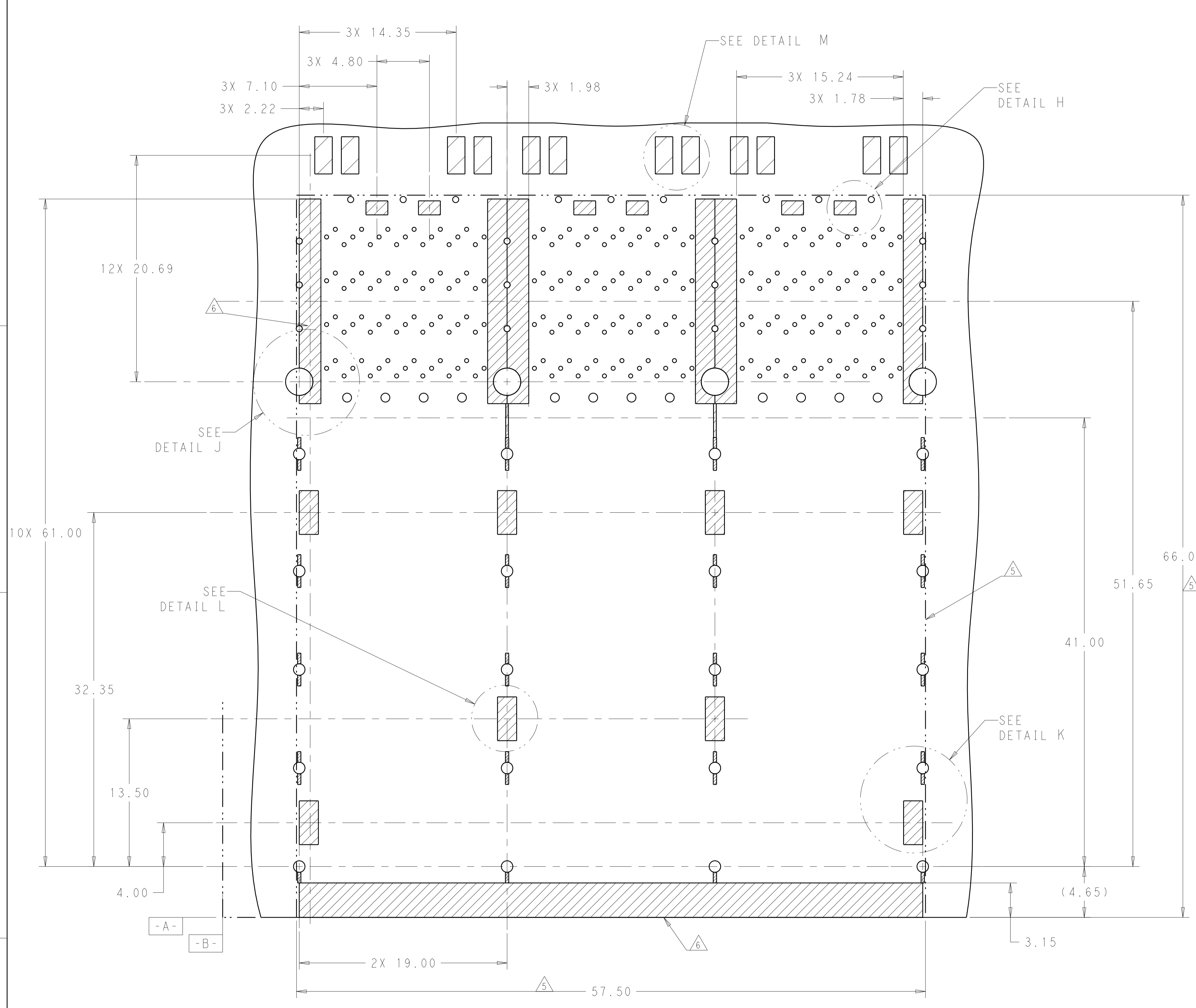


RECOMMENDED PCB BOARD LAYOUT
 COMPONENT SIDE OF BOARD
 PCB TOLERANCE: ±0.05
 SCALE 5:1

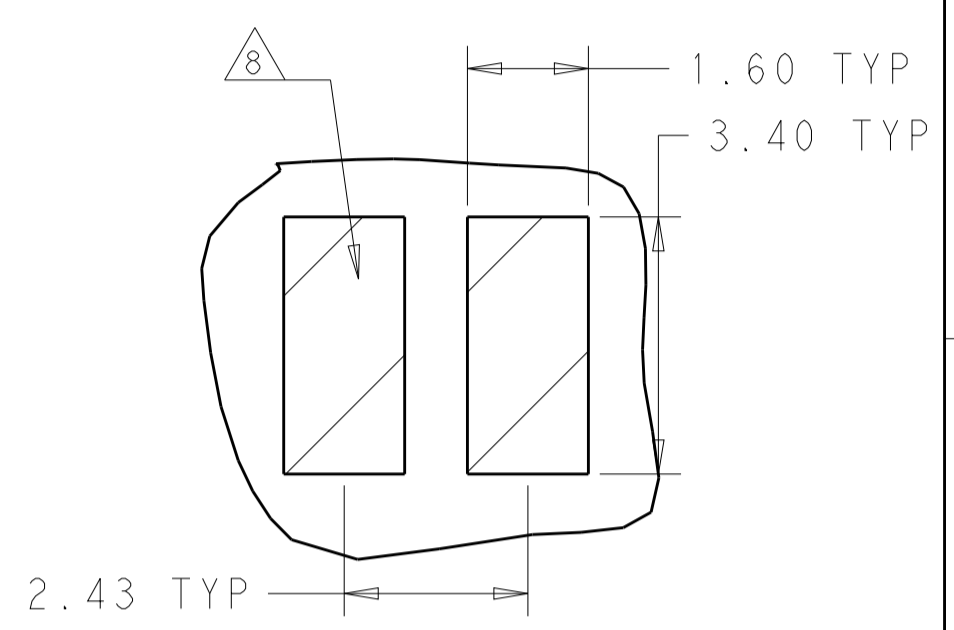
THIS PRINT IS
PRELIMINARY
 UNQUALIFIED PRODUCT
 CONTACT PRODUCT ENGINEERING
 BEFORE USING THIS PRINT

THIS DRAWING IS A CONTROLLED DOCUMENT.		DMN: ARTHUR JIN 20JAN2016	TE Connectivity
DIMENSIONS: mm		CHK: SEAN HAN 20JAN2016	
TOLERANCES UNLESS OTHERWISE SPECIFIED:		APVD: SEAN HAN 20JAN2016	NAME: CAGE AND CONNECTOR ASSEMBLY WITH EMI SPRING FINGERS, THRU BEZEL, 2X3 ZOSFP+ STACKED WITH HS
0 PLC ±0.25	1 PLC ±0.15	PRODUCT SPEC	SIZE: A100779
2 PLC ±0.15	3 PLC ±0.15	APPLICATION SPEC	CAGE CODE: C=2299924
4 PLC ±0.15	ANGLES ±0.15	FINISH	RESTRICTED TO: -
MATERIAL: SEE NOTE 1	FINISH: SEE NOTE 2	WEIGHT: -	CUSTOMER DRAWING
SCALE: 1:1			SHEET 5 OF 6
REV: 8			

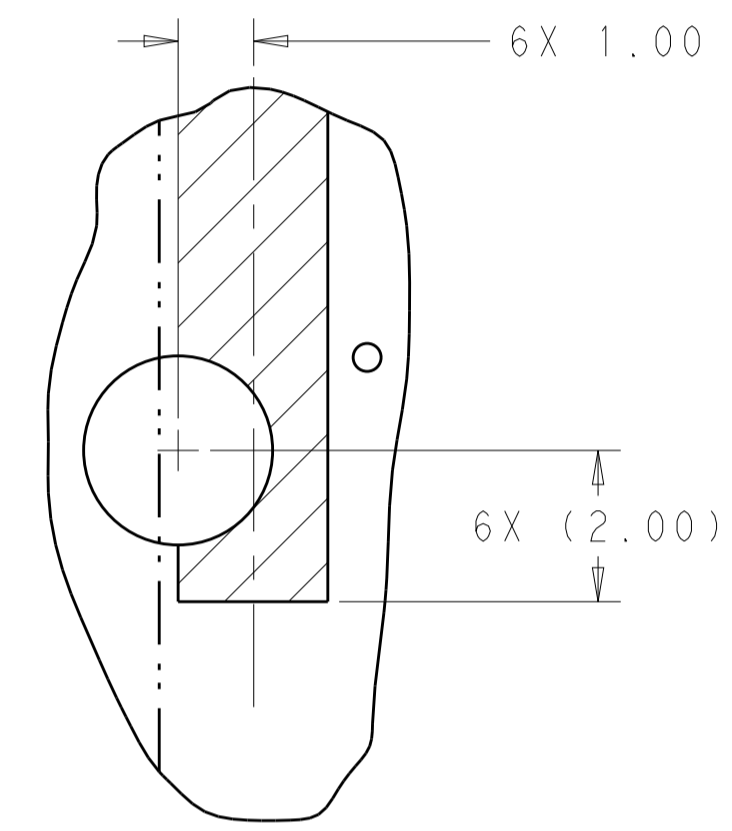
LOC	DIST	REVISIONS			
P	LTN	DESCRIPTION	DATE	OWN	APVD
-	-	SEE SHEET 1	-	-	-



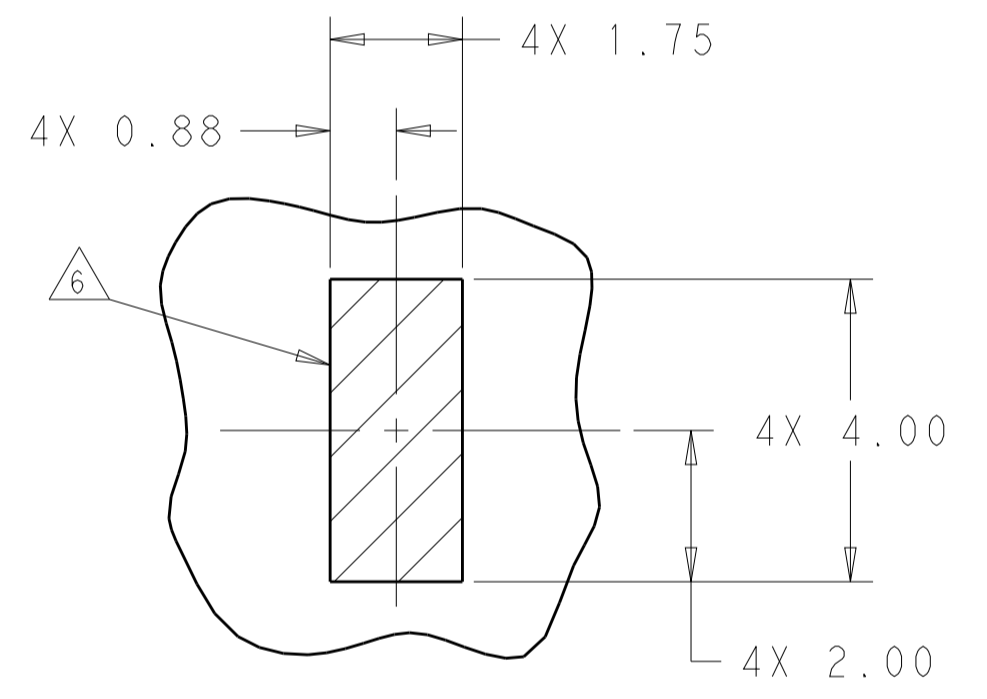
DETAIL H
SCALE 10:1



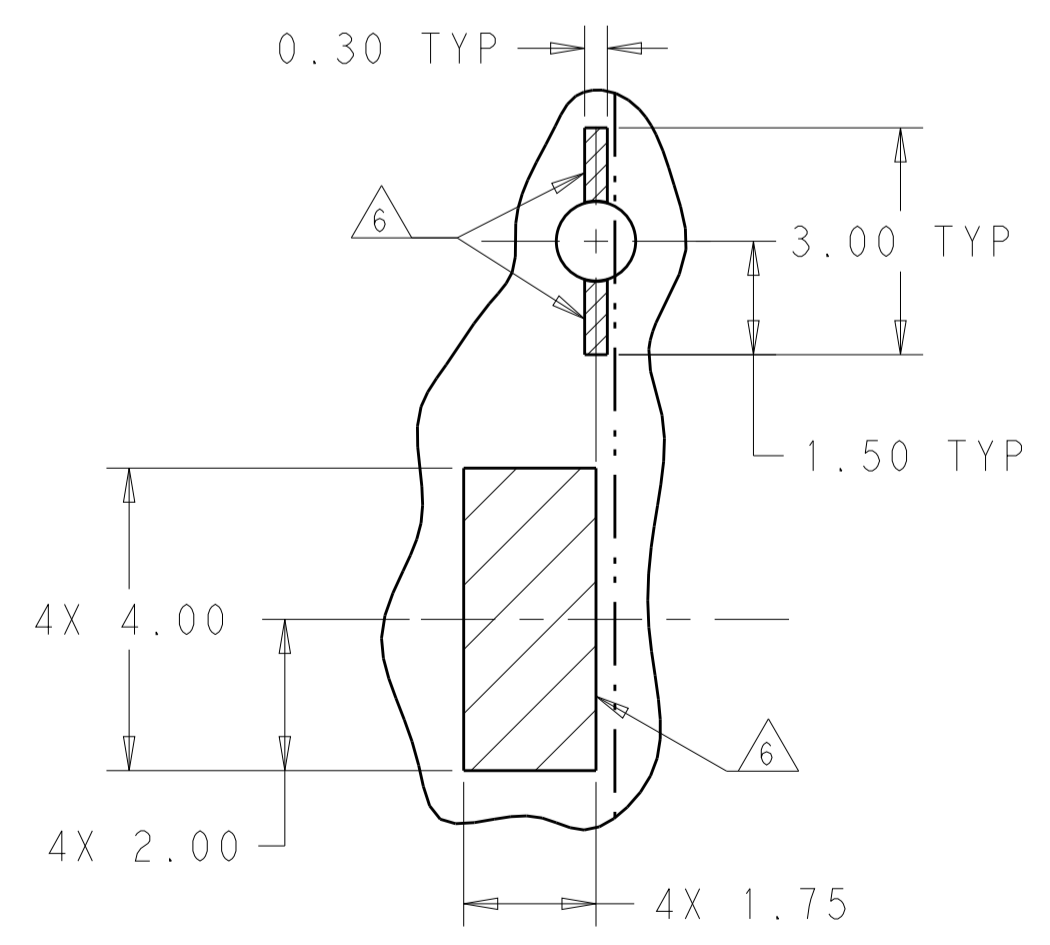
DETAIL M
LED PADS
SCALE 10:1



DETAIL J
SCALE 10:1



DETAIL L
SCALE 10:1



DETAIL K
SCALE 10:1

KEEPOUT AREAS COMPONENT
SIDE OF BOARD FOR 4 LP
SCALE 5:1

THIS PRINT IS
PRELIMINARY
UNQUALIFIED PRODUCT
CONTACT PRODUCT ENGINEERING
BEFORE USING THIS PRINT

THIS DRAWING IS A CONTROLLED DOCUMENT.		OWN: ARTHUR JIH 20JAN2016	TE Connectivity
DIMENSIONS: mm		CHK: SEAN HAN 20JAN2016	
TOLERANCES UNLESS OTHERWISE SPECIFIED:		APVD: SEAN HAN 20JAN2016	NAME: CAGE AND CONNECTOR ASSEMBLY WITH EMI SPRING FINGERS, THRU BEZEL, 2X3 ZOSFP+ STACKED WITH HS
0 PLC ±0.25	1 PLC ±0.15	PRODUCT SPEC	SIZE: CAGE CODE DRAWING NO
2 PLC ±0.15	3 PLC ±0.15	APPLICATION SPEC	RESTRICTED TO
4 PLC ±0.15	ANGLES ±0.15	WEIGHT	A100779C=2299924
MATERIAL: SEE NOTE 1	FINISH: SEE NOTE 2	CUSTOMER DRAWING	SCALE 1:1 SHEET 6 OF 6 REV 8