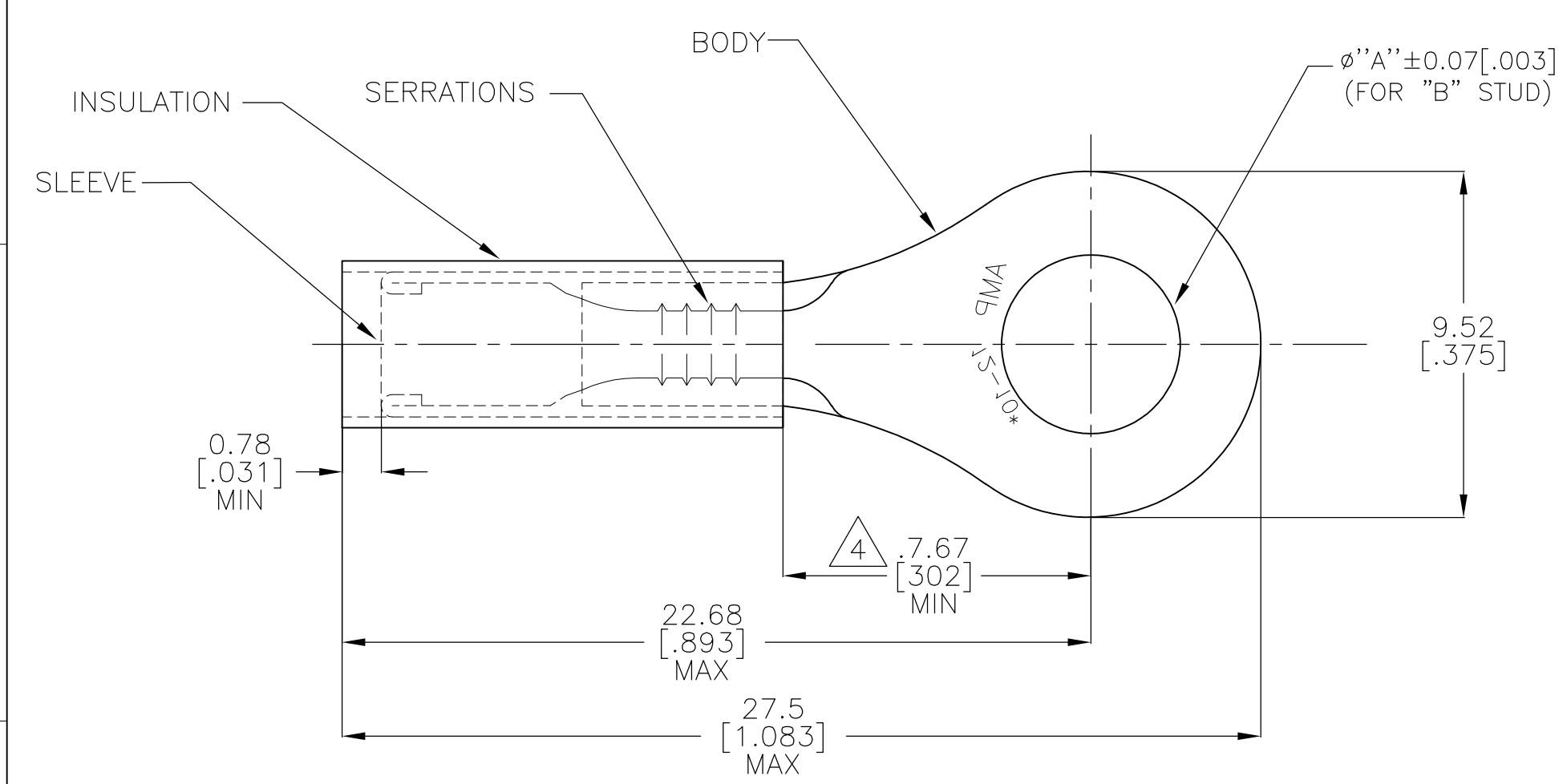


THIS DRAWING IS UNPUBLISHED. RELEASED FOR PUBLICATION
 © COPYRIGHT - By - ALL RIGHTS RESERVED.

REVISIONS				
P	LTR	DESCRIPTION	DATE	APVD
	J4	REVISED PER ECO-15-016493	26NOV2015	NK DR



- 1 BODY: COPPER ASTM B152
NICKEL PL SAE AMS QQ-N-290
0.0076 [.0003] AVG. EXT. THK
SLEEVE: COPPER ASTM B152
NICKEL PL SAE AMS QQ-N-290
0.00076 [.00003] AVG EXT. THK
- 2 FOR 2.59[.102] TO 5.43[.214]
WIRE INSULATION DIA.
- 3 TONGUE MATERIAL THK: 0.99±0.05 [.039±.002]
- 4 DIMENSION APPLIES FROM EDGE OF
METAL WIRE BARREL TO CENTER OF
STUD HOLE

PRELIMINARY	1000	5.0[.197]	#10	PVDF COLOR:BLACK	LOOSE PIECE	50845-8
PRELIMINARY	1000	4.34[.171]	M4 [#8]	PVDF COLOR:BLACK	LOOSE PIECE	50845-7
PRELIMINARY	1000	3.68[.145]	M3.5 [#6]	PVDF COLOR:BLACK	LOOSE PIECE	50845-6
	1000	5.0[.197]	#10	PTFE (ASTM D3295) COLOR: BLACK	LOOSE PIECE	50845-2
	1000	4.34[.171]	M4[#8]		LOOSE PIECE	50845-1
	1000	3.68[.145]	M3.5[#6]		LOOSE PIECE	50845
QTY		"A"	"B"	INSULATION MATERIAL	PACKAGE TYPE	PART NO.

AMP INCORPORATED CUSTOMER SERVICE SYSTEMS		MAX RECOMMENDED OPERATING TEMPERATURE: 288°C [550°F]	THIS DRAWING IS A CONTROLLED DOCUMENT.		DWN 13OCT2015 NAGALAKSHMI K	STE TE Connectivity			
FOR ADDITIONAL PRODUCT INFORMATION OR COPIES OF DRAWINGS AND TECHNICAL DOCUMENTS	PRODUCT INFORMATION CENTER 1-800-522-6752	VOLTAGE RATING: 300V MAX	DIMENSIONS: mm [INCHES]	TOLERANCES UNLESS OTHERWISE SPECIFIED:	CHK 13OCT2015 MERCURIO MAURIZIO			NAME	
FOR APPLICATION TOOLING INFORMATION	TOOLING ASSISTANCE CENTER 1-800-722-1111	CIRCULAR MIL AREA: 2.62-6.64mm ² [5,180-13,100] STRANDED WIRE ONLY		0 PLC ± - 1 PLC ± - 2 PLC ± 0.20 [.008] 3 PLC ± - 4 PLC ± - ANGLES ± 5°	APVD 13OCT2015 MERCURIO MAURIZIO	WIRE TERMINAL PIDG, STRATO-THERM, RING TONGUE WIRE SIZE:12-10			
FOR ORDER ENTRY	1-800-526-5142		MATERIAL	FINISH	PRODUCT SPEC -	SIZE A3	CAGE CODE 00779	DRAWING NO C-50845	RESTRICTED TO -
					WEIGHT -	SCALE NTS		SHEET 1 OF 1	REV J4