

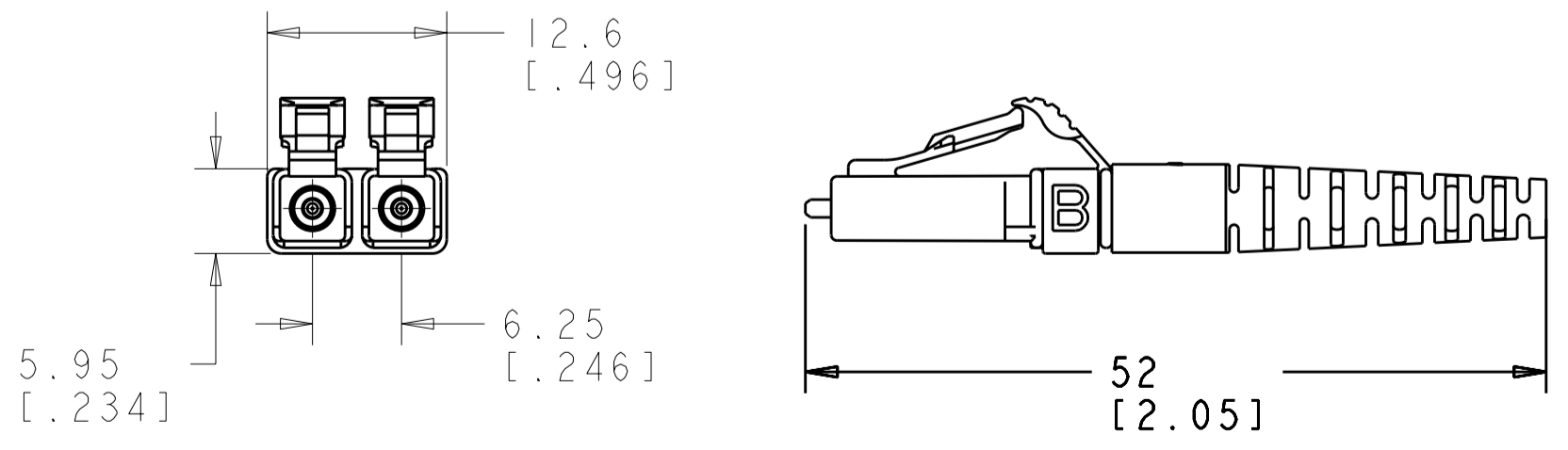
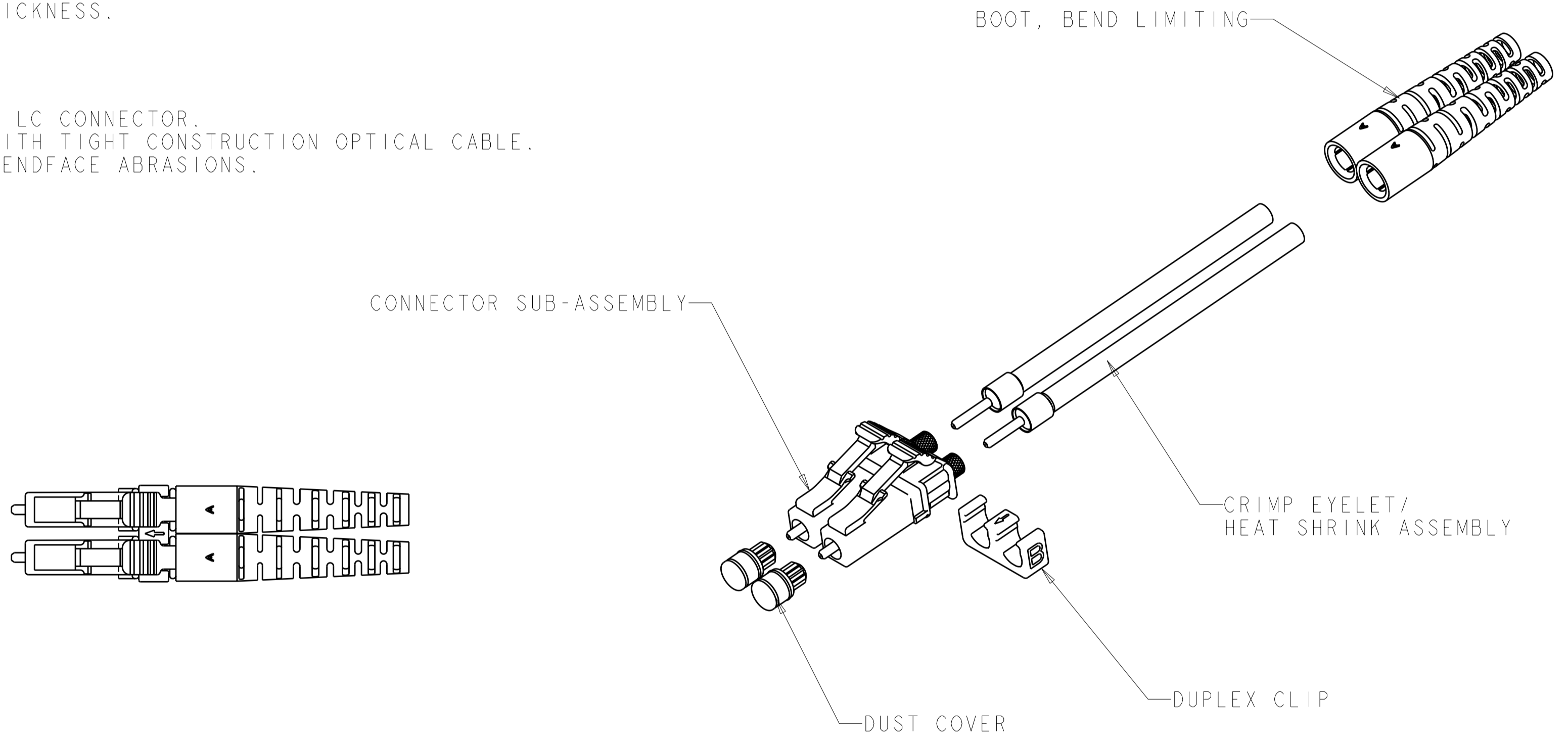
THIS DRAWING IS UNPUBLISHED. RELEASED FOR PUBLICATION  
 © COPYRIGHT BY TYCO ELECTRONICS CORPORATION. ALL INTERNATIONAL RIGHTS RESERVED.

LOC		DIST		REVISIONS			
P	LTR	DESCRIPTION	DATE	DWN	APVD		
	A	ECO-07-016319	16JUL2007	DHR	DHR		
	B	REV PER ECR-10-010066	20MAY2010	IL	CT		

1 MATERIAL: PROTECTIVE COVER: TPE, COLOR: BLACK, UL 94 HB. \*  
 FERRULE SUB ASSEMBLY: ZIRCONIA/ALUM. ALLOY  
 COMPRESSION SPRING: STAINLESS STEEL.  
 FRONT HOUSING: PPSU, COLOR BLUE, UL 94 V-0. \*  
 REAR BODY: ALUM. ALLOY  
 DUPLEX CLIP: PEI, COLOR: BLACK, UL 94 V-0. \*  
 BOOT: PP, COLOR: BLUE, UL 94 V-0. \*  
 CRIMP EYELET/HEAT SHRINK ASSY: ALUM. ALLOY, HEAT SHRINK: POLYOLEFIN, UL VW-1.  
 \* RATED AT QUALIFYING THICKNESS.

2 BULK PACKAGE

3. THIS IS A NON-PULL PROOF LC CONNECTOR.  
 IT IS DESIGNED FOR USE WITH TIGHT CONSTRUCTION OPTICAL CABLE.  
 UNDER LOADS YOU MAY SEE ENDFACE ABRASIONS.



2	6828130-2
	6828130-1
	PART NO.

THIS DRAWING IS A CONTROLLED DOCUMENT FOR TYCO ELECTRONICS CORPORATION. IT IS SUBJECT TO CHANGE AND THE CONTROLLING ENGINEERING ORGANIZATION SHOULD BE CONTACTED FOR THE LATEST REVISION.		DWN E_HALEY 14OCT2005	Tyco Electronics Corporation Shanghai, China	
DIMENSIONS: mm [ INCHES ]		CHK D_ROHDE 14OCT2005	NAME CONNECTOR KIT, LC, DUPLEX, SM, JUMPER, TIGHT JACKET STYLE, 1.6 - 2.0mm	
TOLERANCES UNLESS OTHERWISE SPECIFIED: 0 PLC ± 1 PLC ±0.1 [.004] 2 PLC ±0.01 [.0004] 3 PLC ± 4 PLC ± ANGLES ± FINISH		APVD D_ROHDE 14OCT2005	RESTRICTED TO	
MATERIAL		PRODUCT SPEC	SIZE A2	CAGE CODE
1		APPLICATION SPEC	DRAWING NO. G=6828130	REV B
CUSTOMER DRAWING		WEIGHT	SCALE 2:1	SHEET 1 OF 1