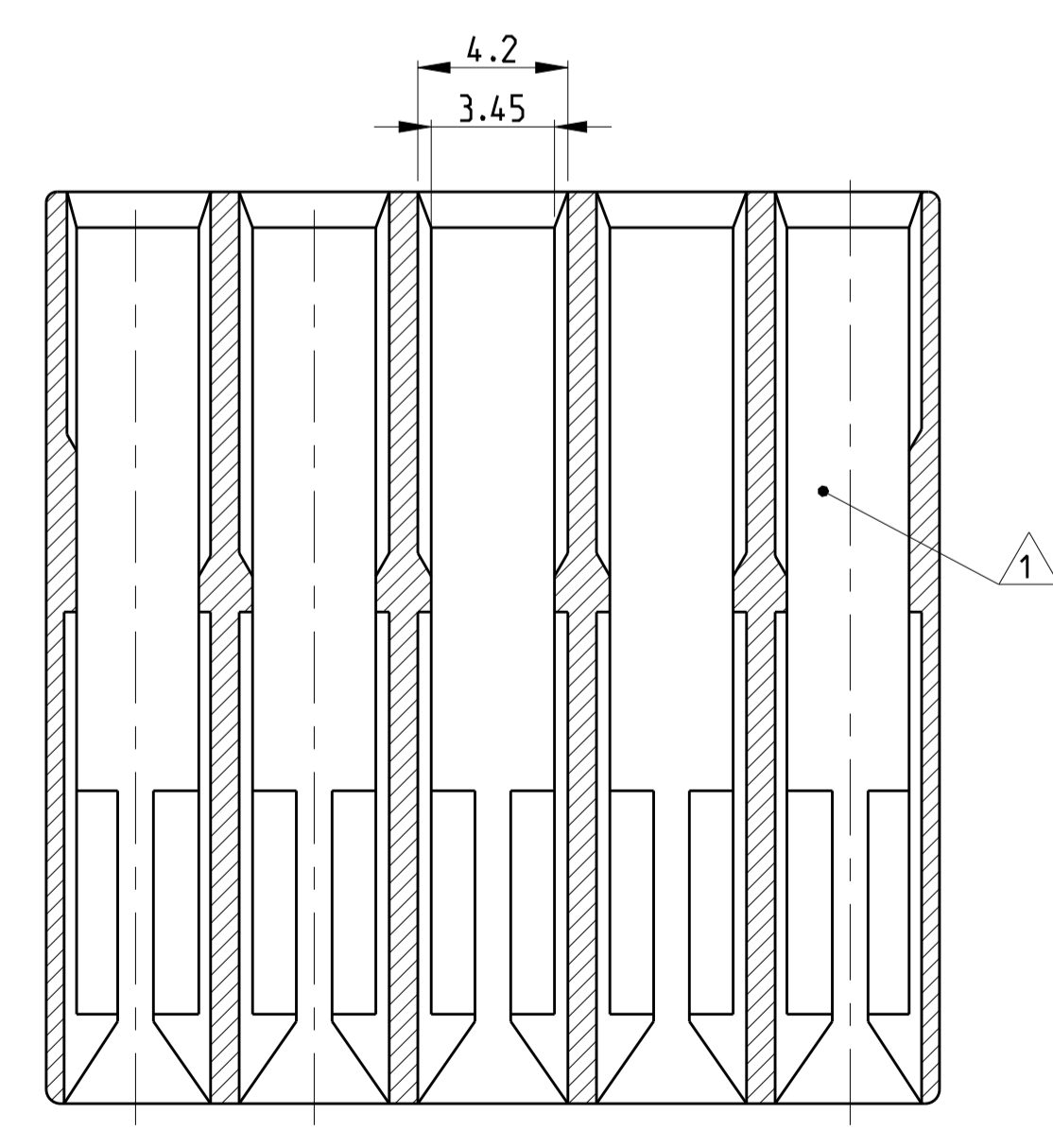
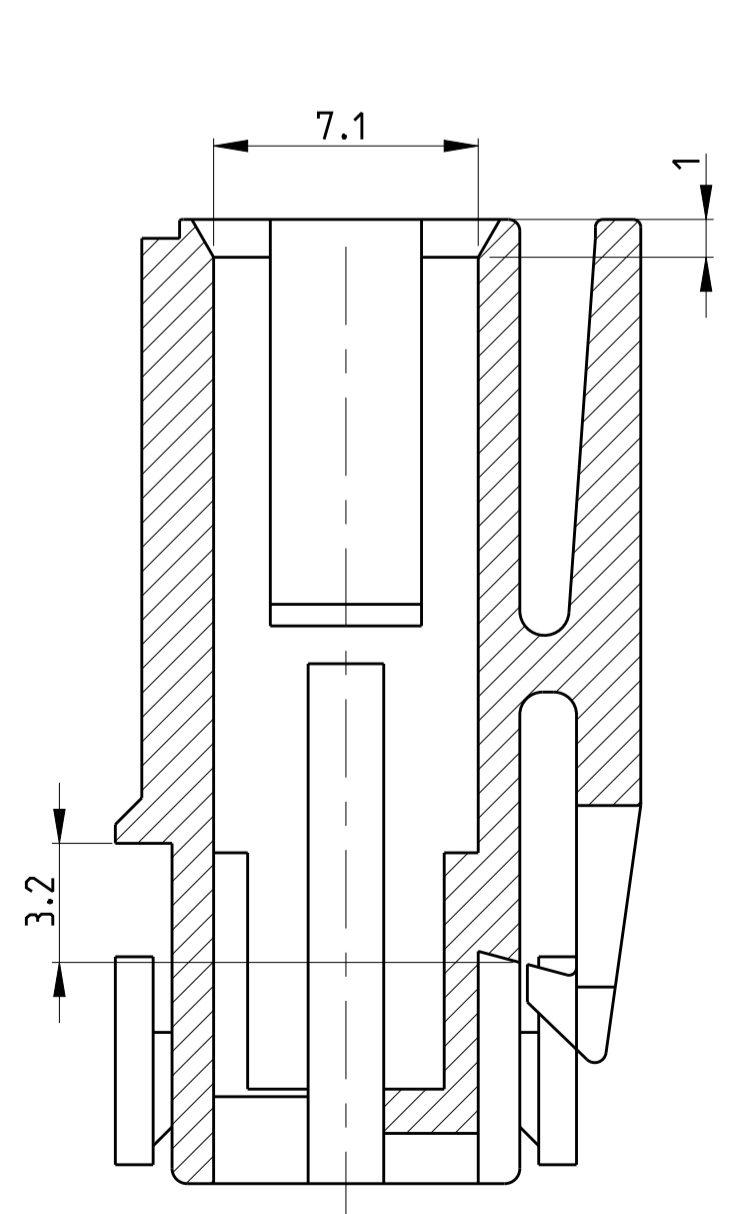
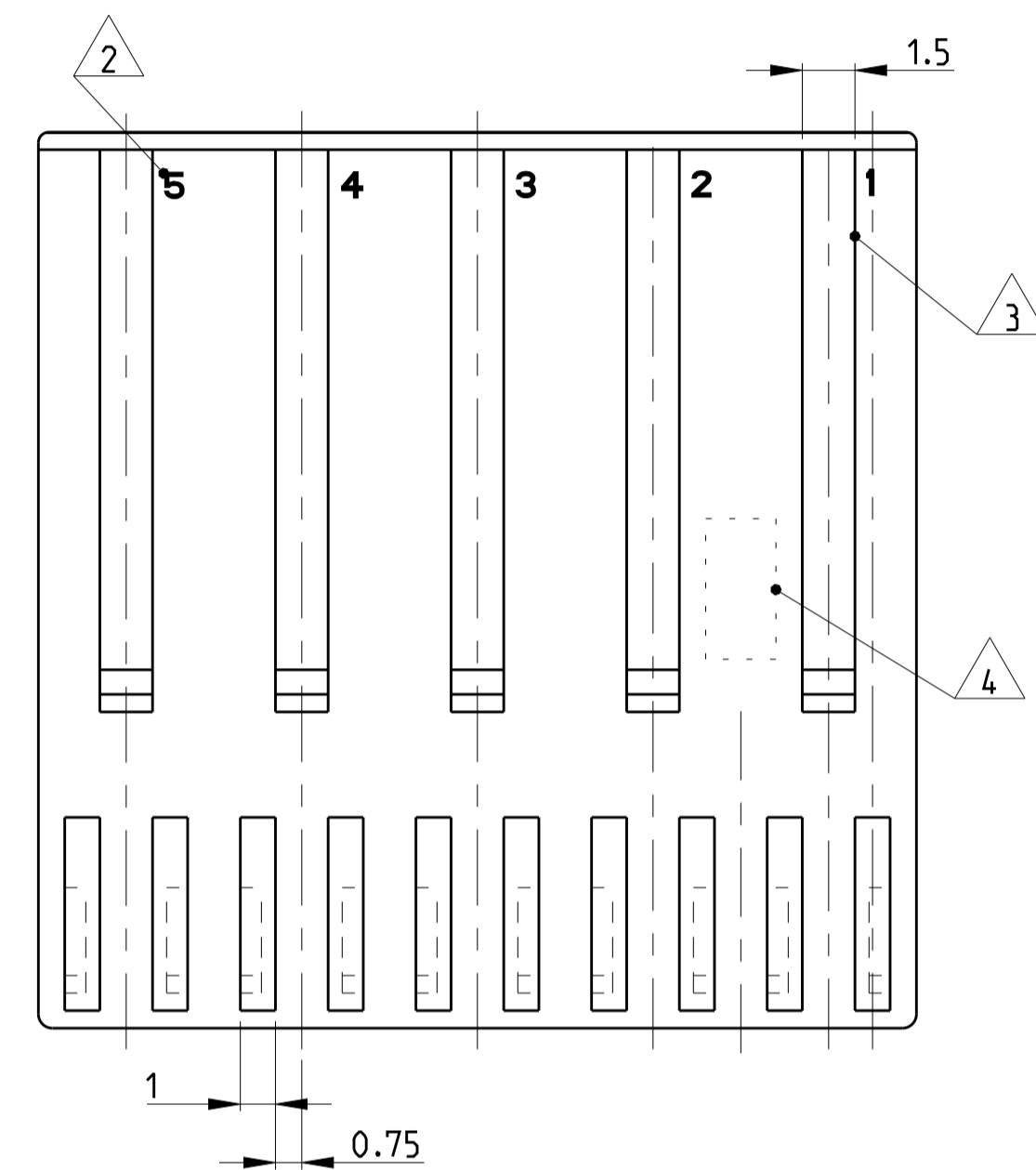
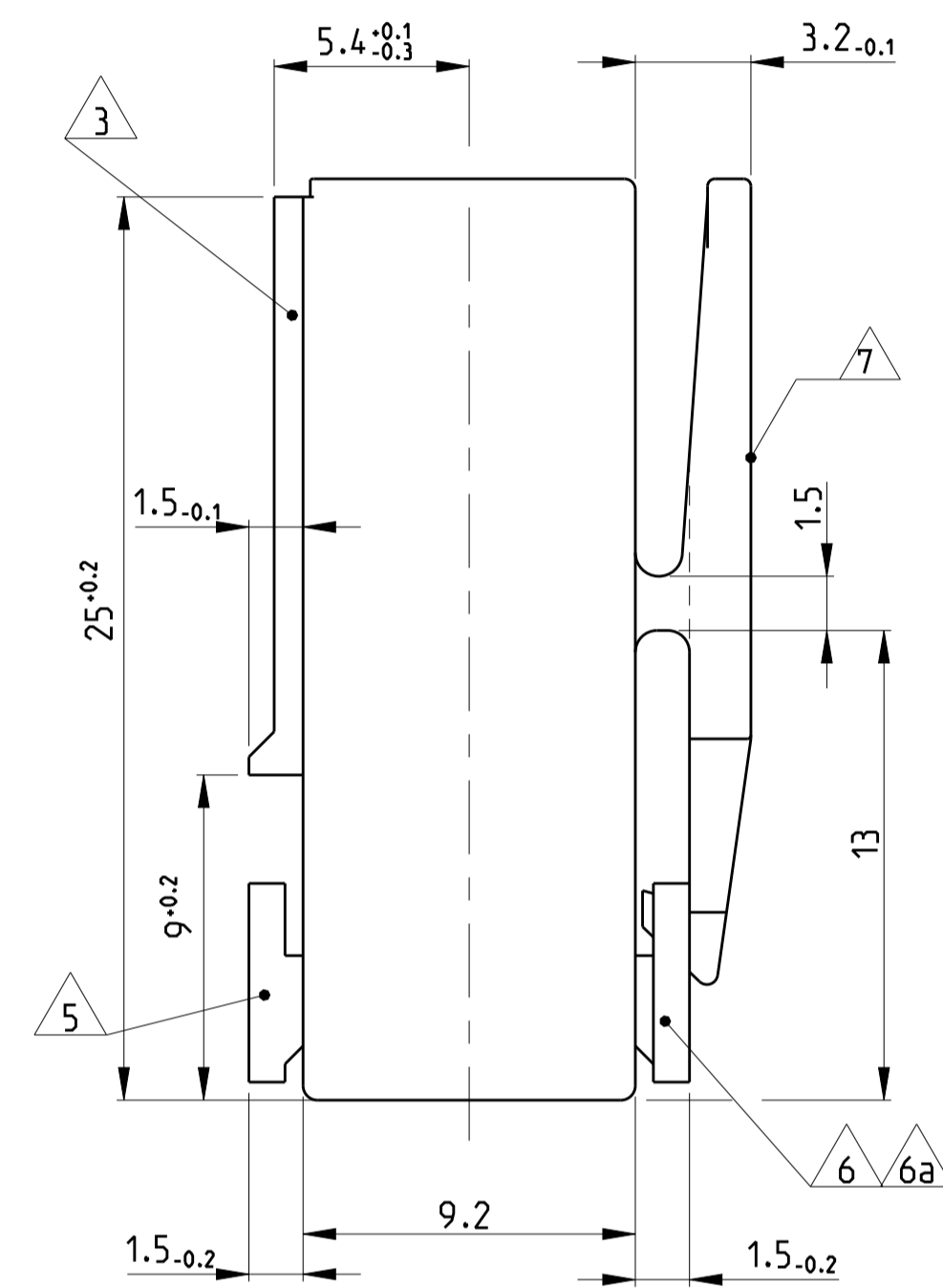
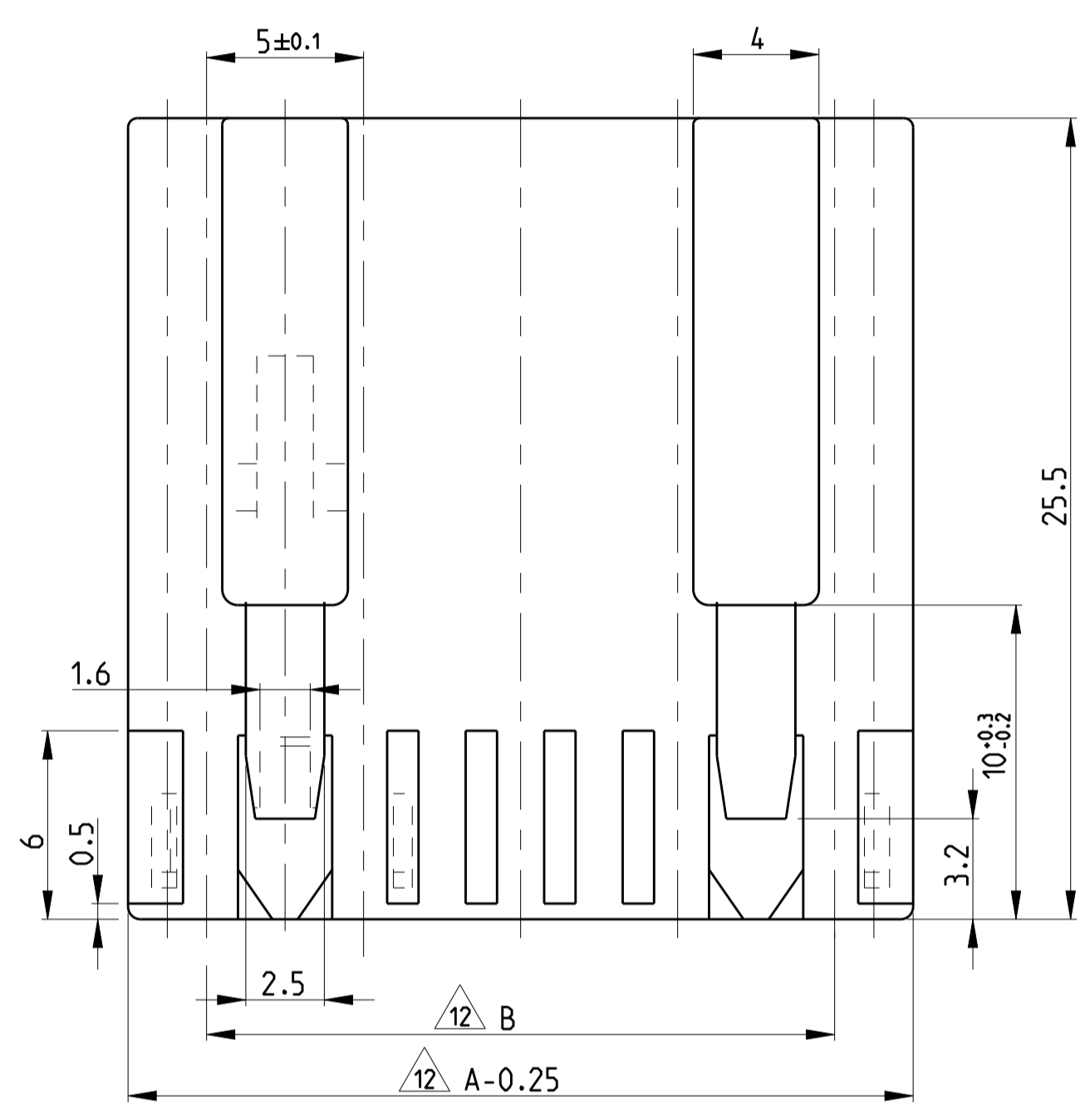
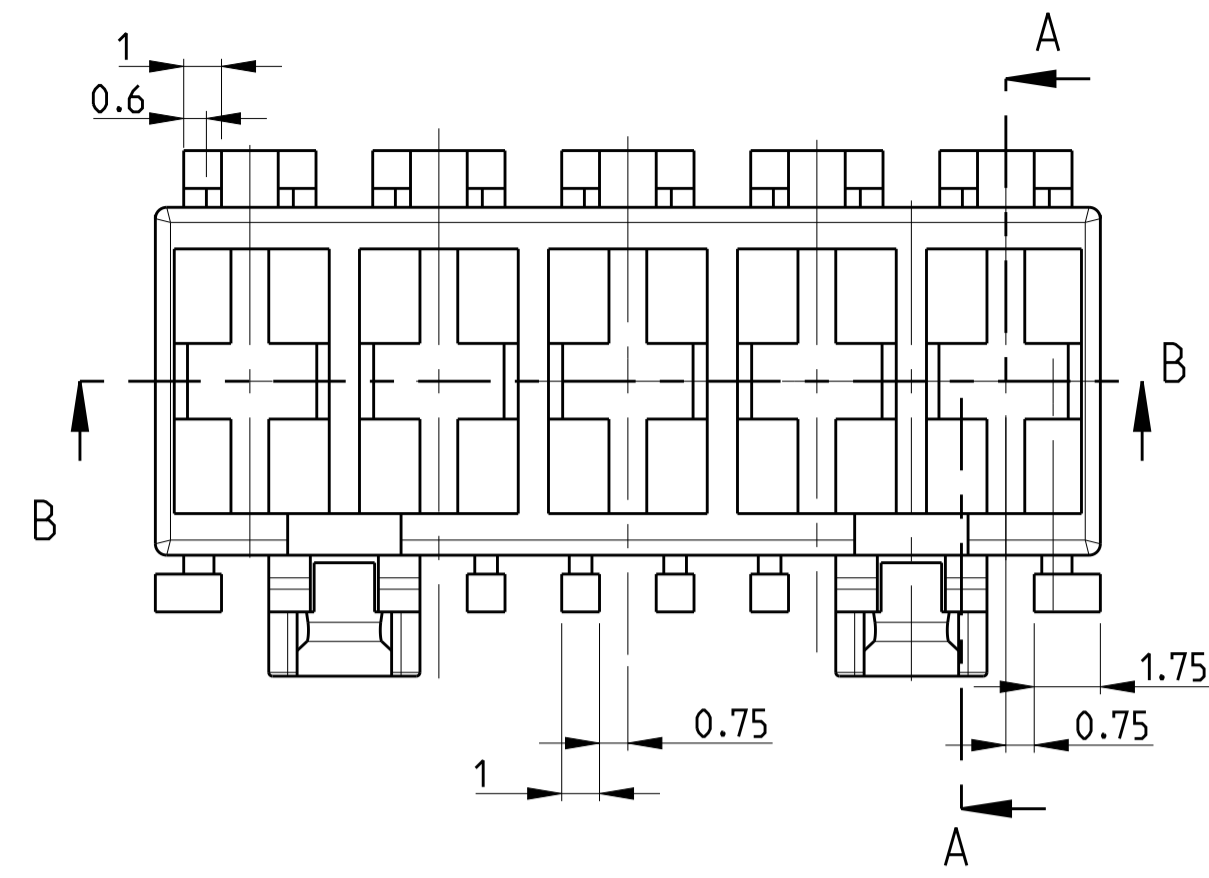
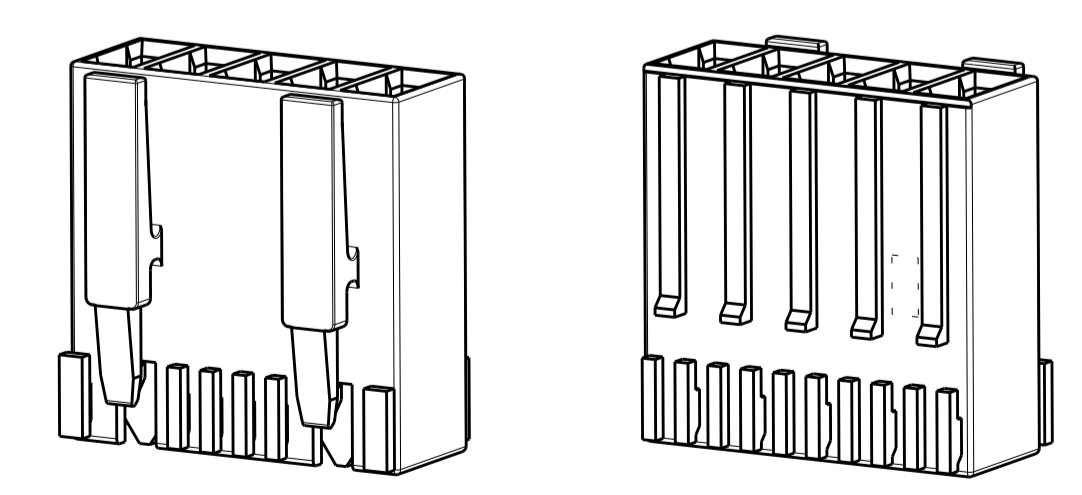


LOC		DIST		REVISIONS			
A1	-	P	LTR	DESCRIPTION	DATE	DWN	APVD
		C22		ECR-15-000985	23JAN2015	KD	RR
		C23		ECR-15-002882	23FEB2015	KD	RR



- REMARKS/Bemerkungen**
- 1 CAVITY SUITABLE FOR STANDARD TIMER CONTACTS LISTED IN PROD.SPEC. 108-18049. ITEM 3.3.2
Kammer geeignet für Standard Timer Kontakte gelistet in Prod. Spec. 108-18049. Punkt 3.3.2
 - 2 CONTACT CAVITY NO.
Kontaktkammernummerierung
 - 3 MATING STOP
Tiefenanschlag
 - 4 AREA FOR TE LOGO ACC: TO SPEC 202-36
Bereich für TE Logo nach Spec. 202-36
 - 5 POLARIZATION RIB POSITION "a" AND/OR "b"
Polarisierungsrippe Position "a" und/oder "b"
 - 6 KEYING RIB POSITION "c" AND/OR "d"
Kodierrippe Position "c" und/oder "d"
 - 6a KEYING RIB POSITION "c" AND/OR "d" AT THE END WALLS OF THE HOUSING
Kodierrippe Position "c" und/oder "d" an den Gehäusestirnseiten
 - 7 LOCKING LATCH
Rasthaken
 - 8 TE PART NO (PN)
TE Bestell Nr. (PN)
 - 9 DESIGN OF THE HOUSINGS ACC. TO RAST 5 STANDARD
Gehäuseausführung gemäss RAST 5 Vorgabe
 - 10 GENERAL SUITABLE TAB HEADER SEE RAST 5 PERFORMANCE
Generell passende Flachsteckerwannen siehe RAST 5 Vorgabe
 - 11 PACKAGING: BULK PACKAGING IN CORRUGATED BOX PN 740580-2
2 POS. 2500 PIECES PER BOX / 3 POS. 2000 PIECES PER BOX
Verpackung: Schüttgut in Versandkarton Pn 740580-2
2pol. 2500 Stück per Karton / 3pol. 2000 Stück per Karton
 - 12 DIMENSION A AND DIMENSION B SEE SHEET 2 OF 3
Mass A und Mass B. siehe Blatt 2 of 3
 - 13 MATERIAL CORRESPONDS TO THE REQUIRMENT EN 60335
(INCL. GLOW WIRE TEST 750° WITHOUT FLAME)
Material entspricht den Anforderungen der EN 60335
(inkl. Glühdrahttest 750° ohne Flamme)
 - 14 RATIO NUMBER OF THE KEYING VERSION, INKJET PRINTED. SEE SHEET 2
Kodierungskennnummer, mit Tintenstrahldrucker aufgebracht. siehe Blatt 2
 - 15 PRELIMINARY- NOT RELEASED FOR PRODUCTION

5 POSITION
STD. TIMER MARK-II HOUSING

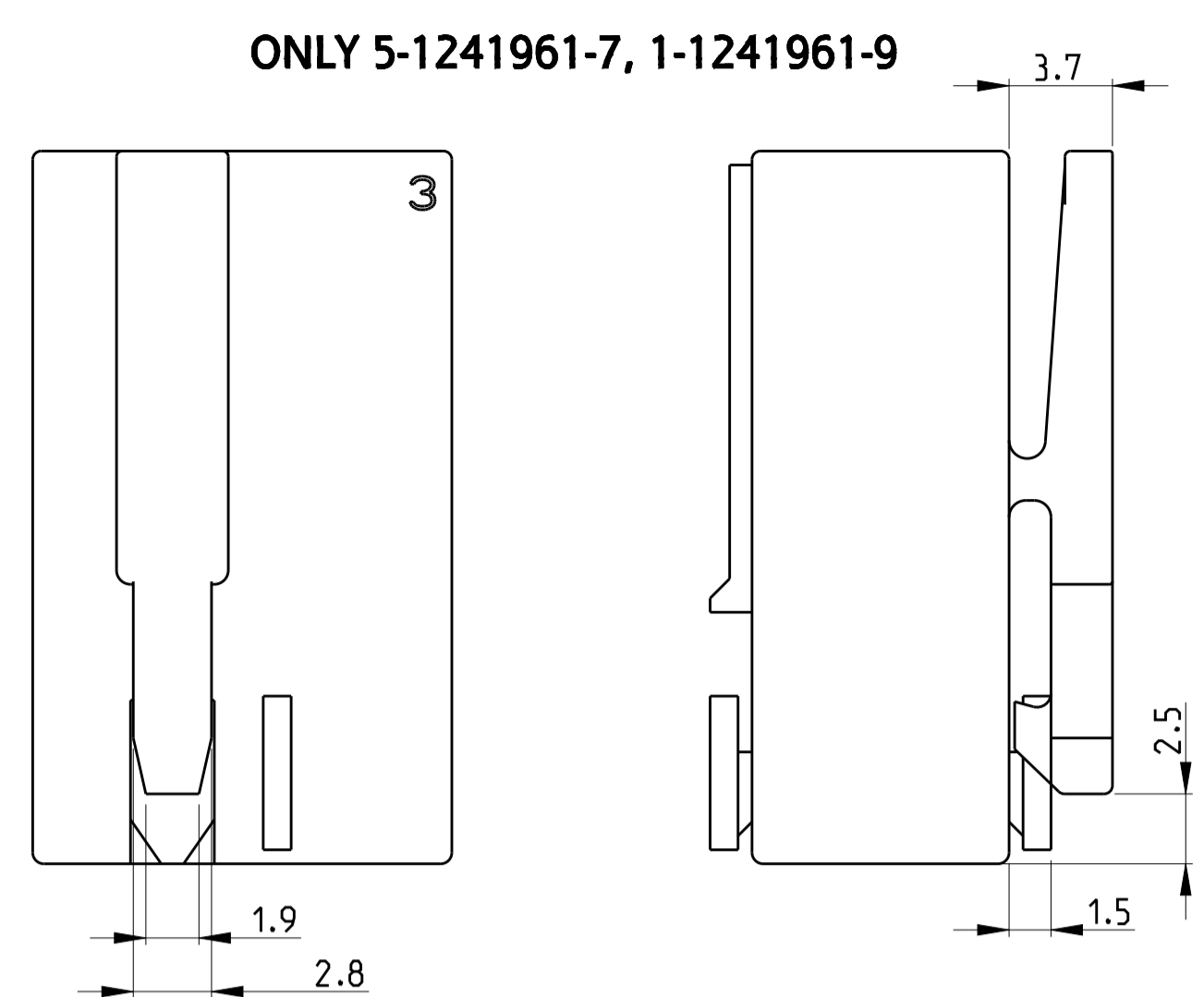


SCALE 2:1

SECTION A-A / Schnitt A-A

SECTION B-B / Schnitt B-B

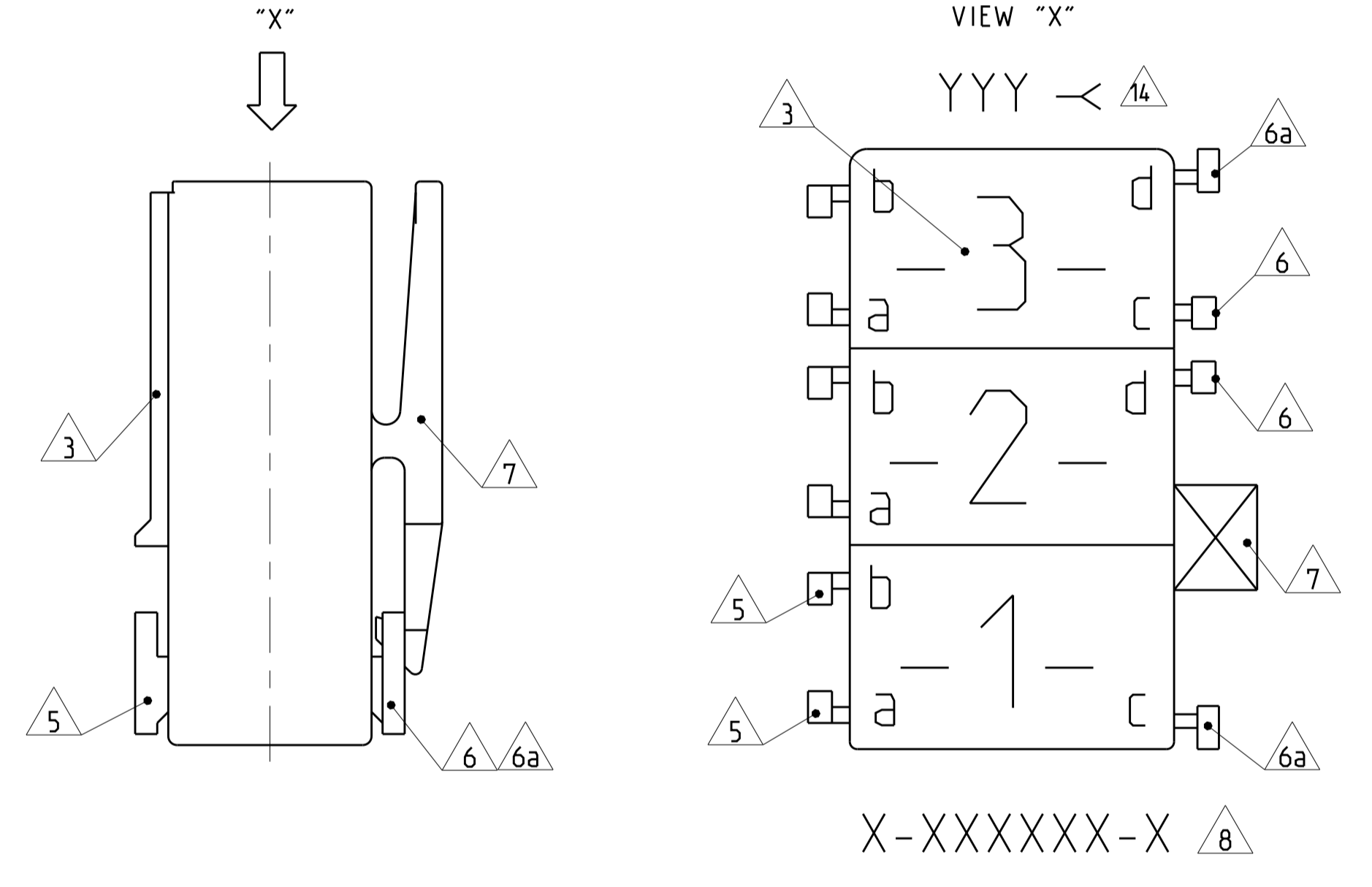
THIS DRAWING IS A CONTROLLED DOCUMENT.		DWN: Kishor M 18-10-07	TE Connectivity
DIMENSIONS: mm		CHK: K. Murtz 18-10-07	
TOLERANCES UNLESS OTHERWISE SPECIFIED:		APVD: T. Klanner 18-10-07	NAME: STANDARD TIMER HSG. RAST 5 MARK II Standard Timer Gehäuse RAST 5 Mark II
0 PLC ±0.2		PRODUCT SPEC: 108-18049	
1 PLC ±0.2		APPLICATION SPEC:	SIZE: A1
2 PLC ±0.2		WEIGHT:	CAGE CODE: 00779
3 PLC ±0.2		RESTRICTED TO:	DRAWING NO: 1241961
4 PLC ±0.2		SCALE: 5:1	SHEET 1 OF 3
ANGLES: -		Customer Drawing	REV: C23
FINISH: *			



ONLY 5-1241961-7, 1-1241961-9

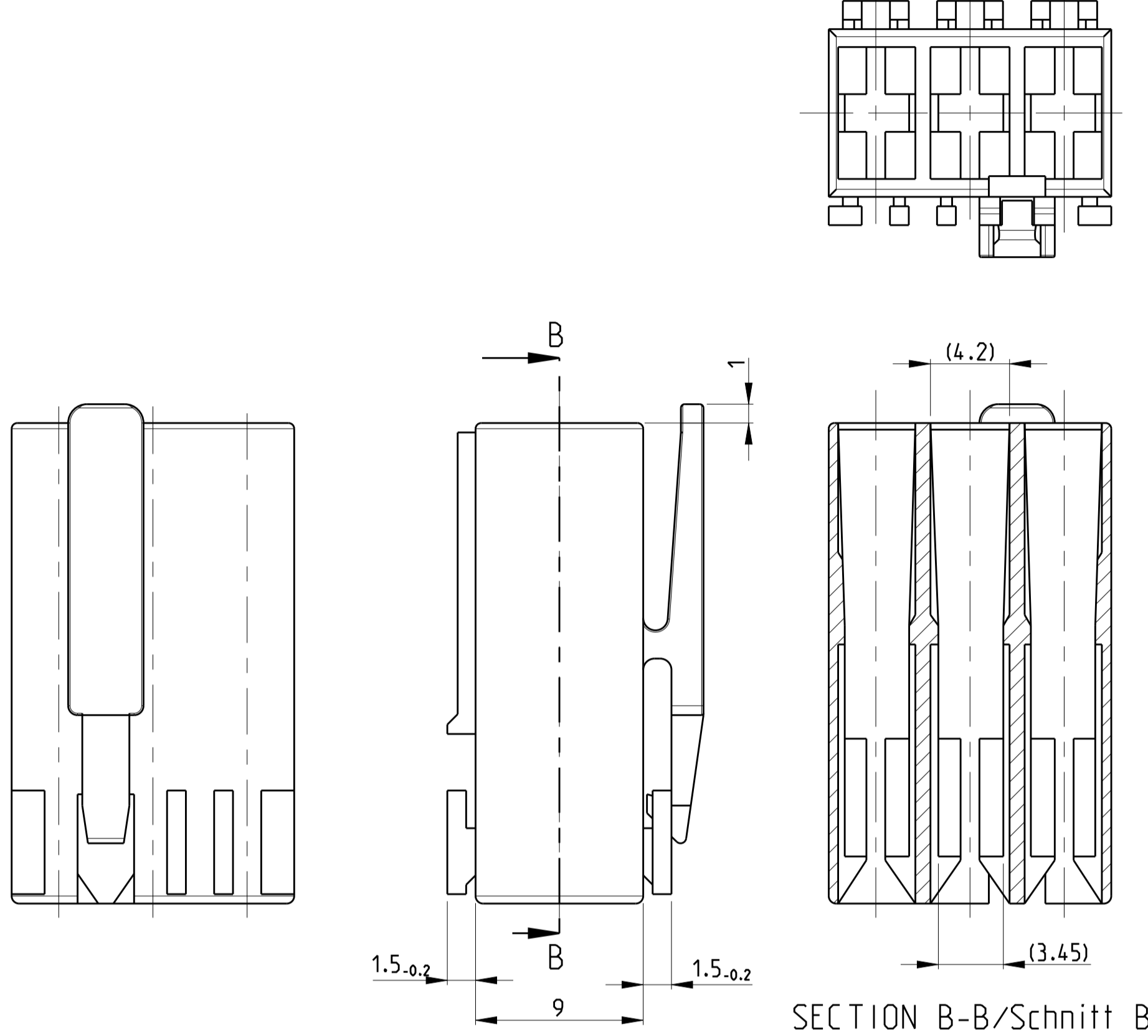
ALL OTHER DIMENSIONS SEE SHEET 1 OF 3

KEY LAYOUT DESCRIPTION



PAY ATTENTION !
DIFFERENT CAVITY GEOMETRY AND LOCKING LATCH OVERHANG
Bitte beachten !
Unterschiedliche Kammergeometrie und Rasthakenüberstand.

FOR 2 POS. AND 3 POS.



ALL OTHER DIMENSIONS SEE SHEET 1 OF 3
Alle anderen Masse siehe Seite 1 von 3

SPECIAL VERSION: UL94 V0 & GWT 750 NF & CTI 350							
PRELIMINARY	5-1241961-7	3	15	10	PA66	NATURAL	1
PRELIMINARY	1-1241961-9	3	15	10		NATURAL	1

SPECIAL VERSION: UL94 V2 & GWT 750 NF							
	6-2178575-7	3	15	10	PA6 GF15	NATURAL	A

SPECIAL VERSION: UL94 V0 & GWT 750 NF							
PRELIMINARY	3-2178412-7	3	15	10	PA66	NATURAL	1
PRELIMINARY	4-2178412-7	3	15	10	UL94 V0 & GWT 750 NF	NATURAL	1
PRELIMINARY	8-2178412-2	2	10	5		NATURAL	1

SPECIAL MATERIAL							
PRELIMINARY	1955507-4	4	20	15	PA66	NATURAL	1
PRELIMINARY	9-1955506-2	2	10	5	UL 94 V0	NATURAL	1

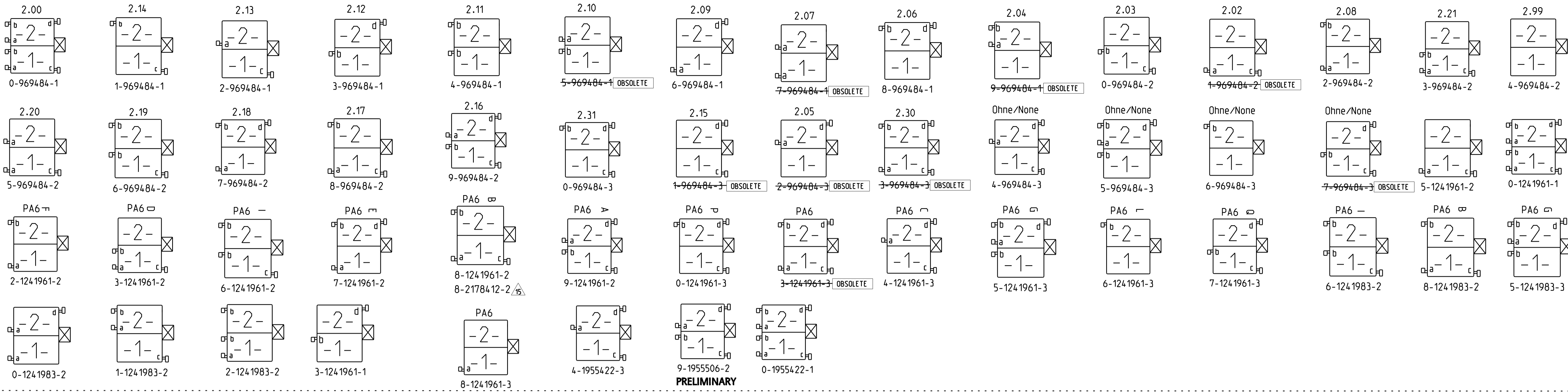
PART NO	POS.	DIM A	DIMM B	MATERIAL	COLOUR /Farbe	REV./Rev.
6-1241961-7	3	15	10	PA 6 UL94V-2	NATURAL	1
4-1241961-7	3	15	10	PA 6 UL94V-2	NATURAL	A
3-1241961-7	3	15	10	PA 6 UL94V-2	NATURAL	A
1-1955422-7	3	15	10	PA 66 UNFILLED UL94 V0	NATURAL	A
5-1955422-7	3	15	10	PA 66 UNFILLED UL94 V0	NATURAL	A
4-1955422-3	2	10	5	PA 66 UNFILLED UL94 V0	NATURAL	A
2-1241817-3	3	15	10	PA 66 UL94 V-2	Green	E
0-1955422-6	3	15	10	PA 66 UNFILLED UL94 V0	NATURAL	A
8-1241961-8	3	15	10			C
0-1241961-8	3	15	10	PA 6 UL94V-2	natural	A
8-1241961-3	2	10	5			C
3-1241961-1	2	10	5	PA 6 UL94V-2	NATURAL	C
0-1955422-1	2	10	5	PA 66 UNFILLED UL94 V0	NATURAL	A
PART NO	POS.	DIM A	DIMM B	MATERIAL	COLOUR /Farbe	REV./Rev.

LOC	DIST	REVISIONS				
A1	-	P	LYR	DATE	DRN	APVD

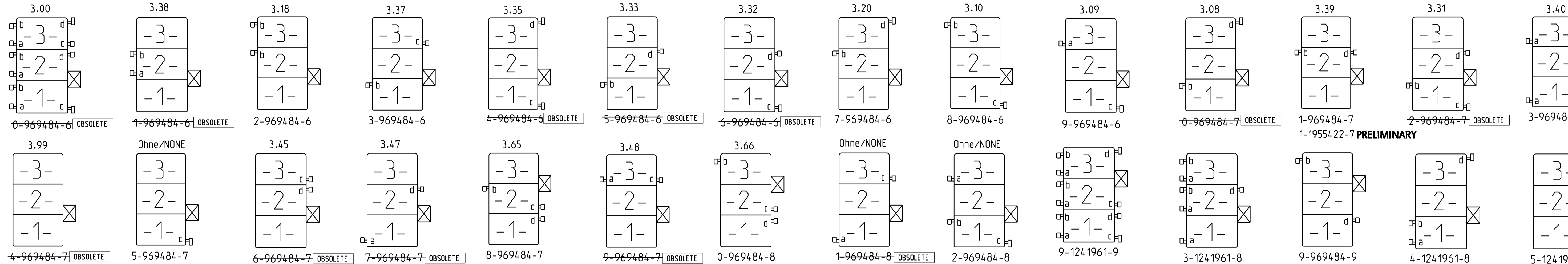
REV.	DESCRIPTION	DATE	DRN	APVD
1	SEE SHEET-01			
2				
3				
4				
5				
6				
7				
8				
9				
10				
11				
12				
13				
14				
15				
16				
17				
18				
19				
20				
21				
22				
23				
24				
25				
26				
27				
28				
29				
30				
31				
32				
33				
34				
35				
36				
37				
38				
39				
40				
41				
42				
43				
44				
45				
46				
47				
48				
49				
50				

THIS DRAWING IS A CONTROLLED DOCUMENT. DIMENSIONS: mm TOLERANCES UNLESS OTHERWISE SPECIFIED: 0 PLC ±0.2 1 PLC ±0.2 2 PLC ±0.2 3 PLC ±0.2 4 PLC ± ANGLE FINISH: *	DWG: Kishor M 18-10-07 CHK: K. Muriz 18-10-07 APPD: Th. Klenner 18-10-07 PRODUCT SPEC: 108-18049 APPLICATION SPEC:	NAME: STANDARD TIMER HSG. RAST 5 MARK II STANDARD Timer Gehäuse RAST 5 Mark II SIZE: A1 CAGE CODE: 00779 DRAWING NO: C-1241961 RESTRICTED TO: Customer Drawing SCALE: 5:1 SHEET: 2 OF 3 REV: C23	
--	--	--	--

2 POSITION VARIANTS

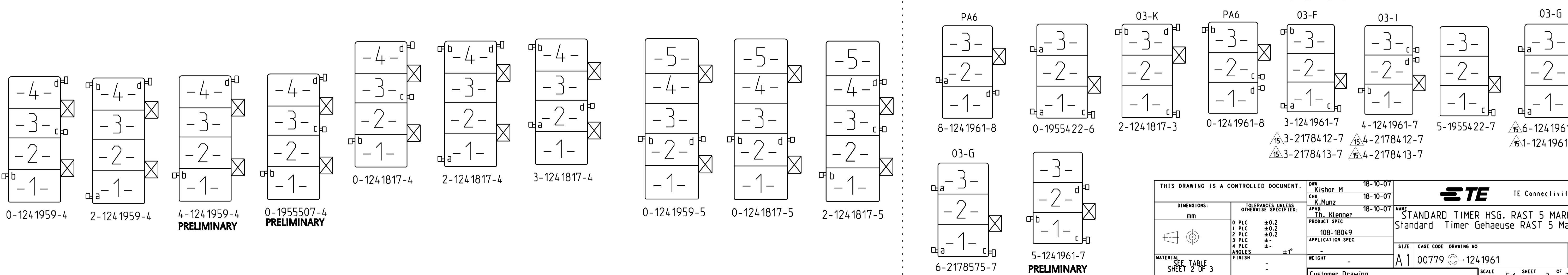


3 POSITION VARIANTS



4 POSITION VARIANTS

5 POSITION VARIANTS



THIS DRAWING IS A CONTROLLED DOCUMENT.		DRW: Kishor M. 18-10-07	 TE Connectivity
DIMENSIONS: mm		CHK: K. MURIZ 18-10-07	
TOLERANCES UNLESS OTHERWISE SPECIFIED:		APPD: T. Klenner 18-10-07	
0 PLC ±0.2 1 PLC ±0.2 2 PLC ±0.2 3 PLC ±0.2 4 PLC ±0.2 ANGLES ±* FINISH -		NAME: STANDARD TIMER HSG. RAST 5 MARK II PRODUCT SPEC: 108-18049 APPLICATION SPEC:	
MATERIAL: SEE TABLE SHEET 2 OF 3	FINISH: -	WEIGHT: -	RESTRICTED TO
Customer Drawing			SIZE: A1 CAGE CODE: 00779 DRAWING NO: 1241961 SCALE: 5:1 SHEET: 3 OF 3 REV: C23